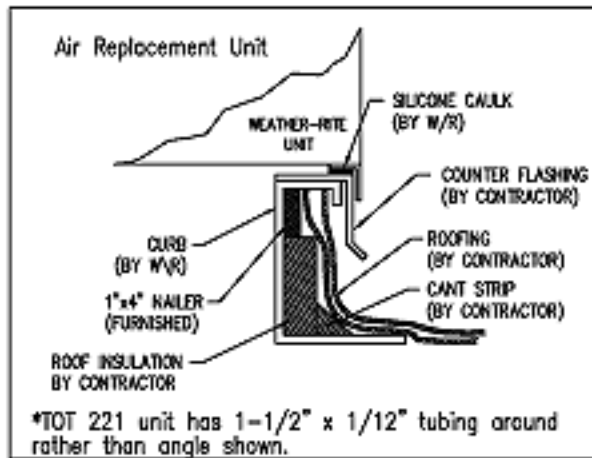
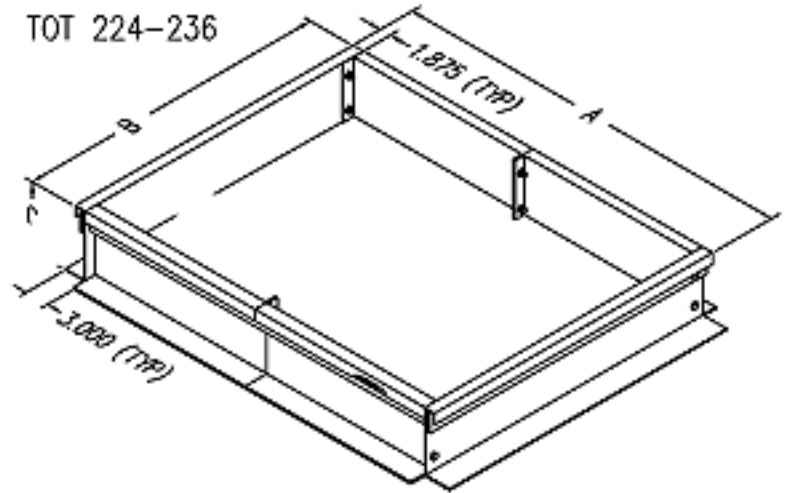
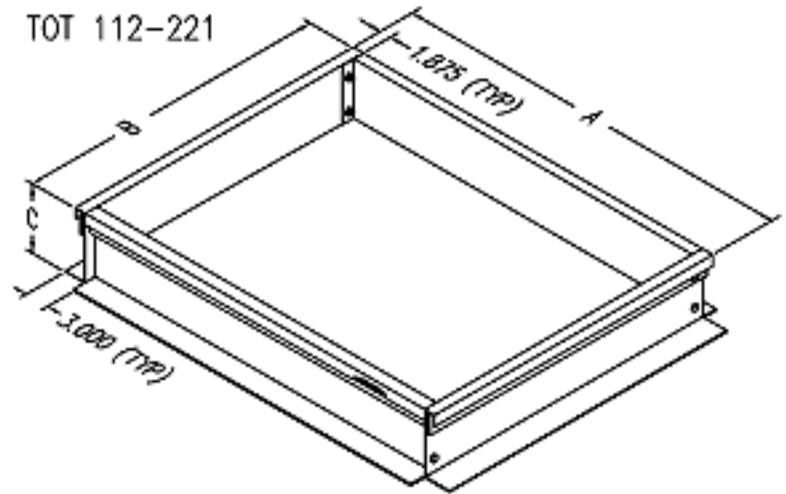


UNIT	LENGTH	WIDTH	16" CURB	24" CURB
	(A)	(B)	(C)	(C)
TOT 112	57 1/4	35 1/4	16	24
TOT 115	57 1/4	35 1/4	16	24
TOT 118	89 1/4	59 1/4	16	24
TOT 212	57 1/4	59 1/4	16	24
TOT 215	57 1/4	71 1/4	16	24
TOT 218	61 1/4	71 1/4	16	24
TOT 221	71 1/4	99 1/4	16	24
TOT 224	99	109	16	24
TOT 230	99	144	16	24
TOT 233	109	159	16	24
TOT 236	109	179	16	24



NOTES

- Curb Mounting KR is shipped broken down and must be field assembled (bolted together).
- Curb Mounting KR supports the burner and blower sections of the unit. When used with downblast units, the kit seals discharge duct-work roof openings, preventing water leaks into the building.
- The curb can be used with most conventional flat roofs (e.g. bonded, corrugated etc.)
- If filters, dampers, hoods or other accessories extend beyond the curb, additional supports should be provided by the contractor and placed under the furthest section.

KASLES LTD/CURBSALES

Installation Code and Annual Inspections:

All installations and service of WEATHER-RITE™ products must be preformed by a contractor qualified in the installation and service of products sold and supplied by Weather-Rite, LLC and conform to all requirements set forth in the WEATHER-RITE™ manuals and all applicable governmental authorities pertaining to the installation, service and operation of the equipment. To help facilitate optimum performance and safety, Weather-Rite, LLC recommends that a qualified contractor annually inspect your WEATHER-RITE™ products and perform service where necessary, using only replacement parts sold and supplied Weather-Rite, LLC.

This document is intended to assist licensed professionals in the exercise of their professional judgement.