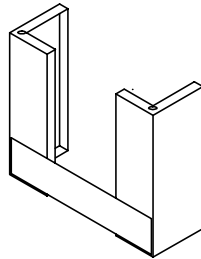


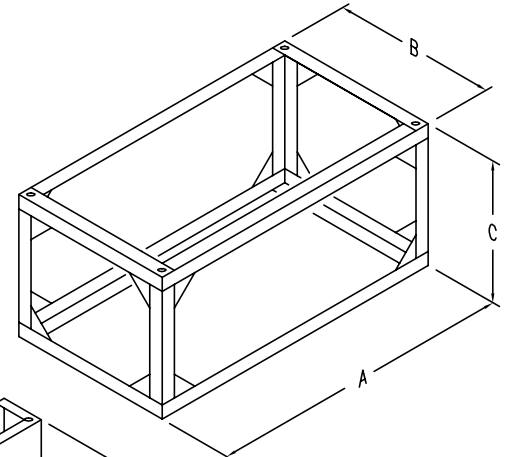
**SERVICE PLATFORM**

**NOTE:**

- 1) VERTICAL UNITS – LENGTH (A) WILL BE THE SAME AS WIDTH OF UNIT.
- 2) HORIZONTAL UNITS – LENGTH (A) WILL BE THE SAME AS SECTIONS COVERED ADDED TOGETHER.
- 3) (B) DIMENSION 48" FOR TOT 221 AND SMALLER  
(B) DIMENSION 72" FOR TOT 224 AND LARGER



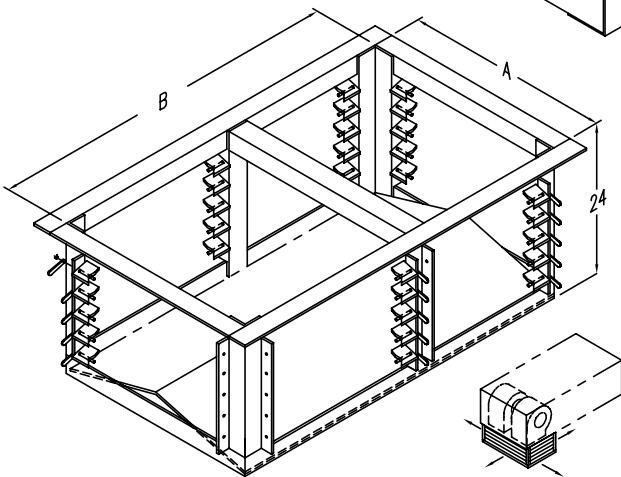
**MOUNTING LEGS**  
(BOLT TO BOTTOM OF UNIT IN FIELD)  
VERTICAL UNITS ONLY  
TOT 112-118  
TOT 212-218



**MOUNTING STAND**  
VERTICAL UNITS ONLY

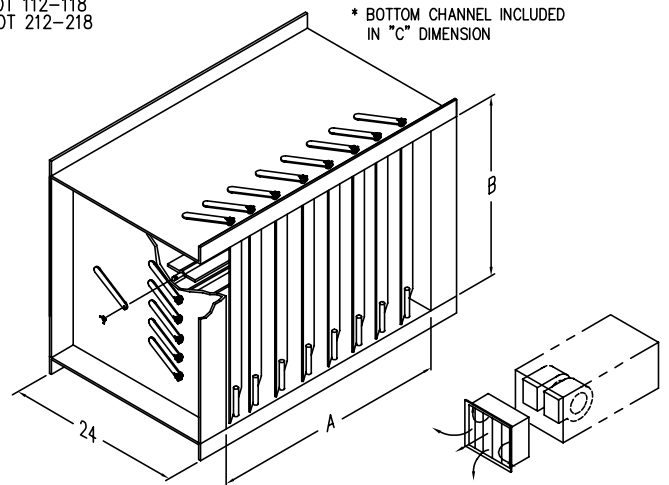
MODEL	A	B	C
TOT 221	100	42	36
TOT 224	110	55	46
TOT 230	145	60	47
TOT 233	160	72	55
TOT 236	180	72	55

\* BOTTOM CHANNEL INCLUDED IN "C" DIMENSION



**FOUR-WAY DISCHARGE PLENUM**  
FITS CURB SIZE DAMPER

MODEL	A	B	MODEL	A	B
TOT 112	19.5	26	TOT 218	26	58
TOT 115	19.5	26	TOT 221	33	76
TOT 118	19.5	26	TOT 224	35	90
TOT 212	19.5	50	TOT 230	40	115
TOT 215	19.5	50	TOT 233	43	133
			TOT 236	43	133



**DOUBLE DEFLECTION DISCHARGE LOUVERS**  
FITS FULL SIZE DISCHARGE DAMPER

MODEL	A	B	MODEL	A	B
TOT 112	26	19.5	TOT 218	58	26
TOT 115	26	19.5	TOT 221	76	33
TOT 118	26	19.5	TOT 224	90	35
TOT 212	50	19.5	TOT 230	115	40
TOT 215	50	19.5	TOT 233	133	43
			TOT 236	133	43

NOTE: RECOMMENDED DISTANCE BETWEEN UNIT AND PLENUM IS 36".