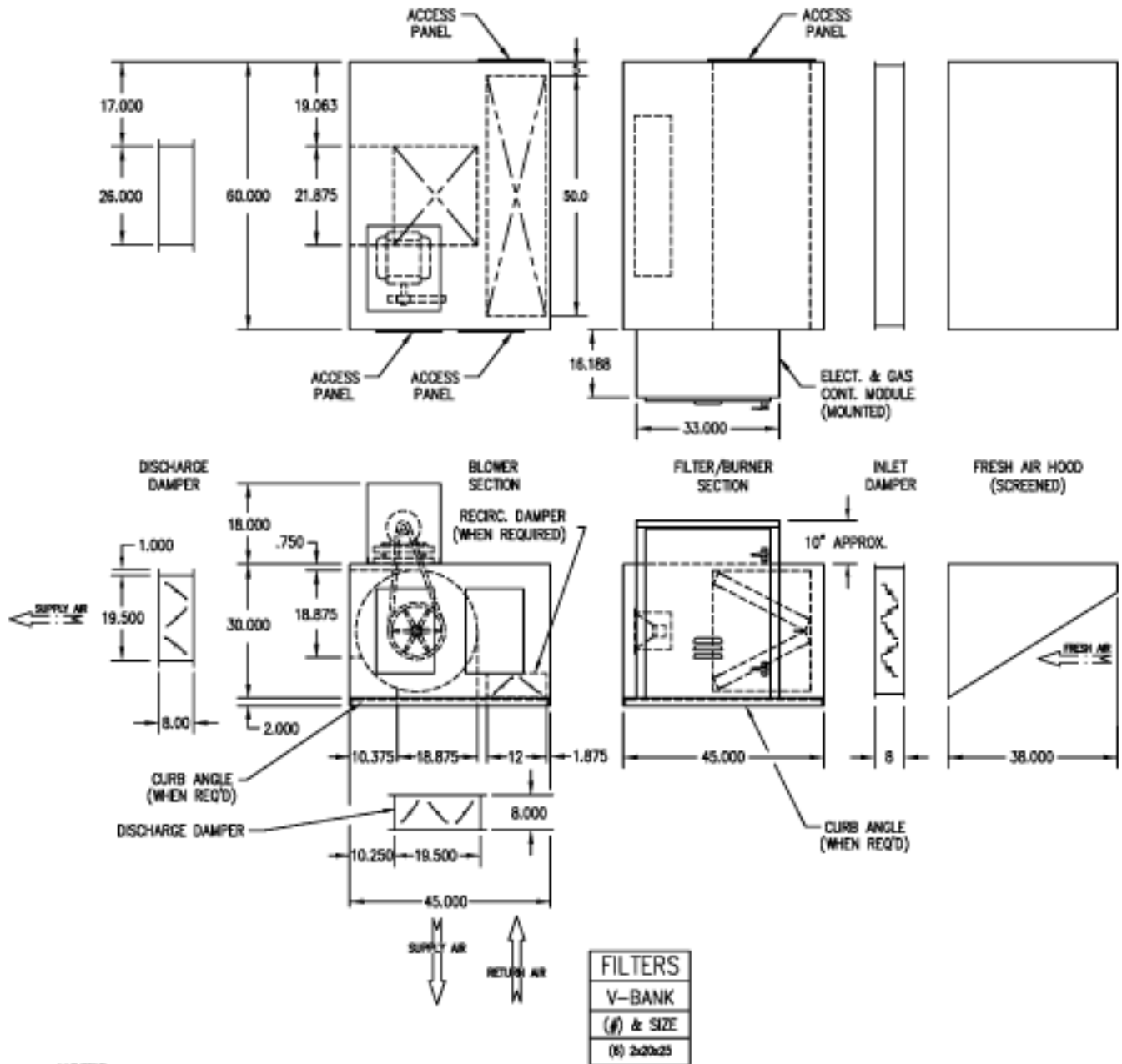


# THERM-O-THRIFT

118

HH & HB



**NOTES:**

- 1.) DRAWING IS NOT TO SCALE. DIMENSIONS SUBJECT TO CHANGE WITHOUT NOTIFICATION.
- 2.) UNITS ONLY SUPPLIED IN LEFT HAND ARRANGEMENT AS SHOWN.
- 3.) STANDARD ADJUSTABLE DRIVE THROUGH 10 HP.
- 4.) OUTDOOR UNITS ARE PROVIDED WITH WEATHERPROOF HOUSINGS OVER FAN MOTOR, DRIVES AND DAMPER OPERATOR.
- 5.) HB UNITS MAY CARRY OVER MOISTURE, DO NOT INSTALL OVER DAMAGEABLE MATERIALS.
- 6.) UNIT SHOULD BE INSTALLED A MINIMUM OF 24 INCHES FROM ROOF.
- 7.) ALL UNITS ARE PRE-PIPED, PRE-WIRED, AND FIRE-TESTED PRIOR TO SHIPMENT.

8/2015 17/07/15

**Installation Code and Annual Inspections:**

All installations and service of WEATHER-RITE™ products must be performed by a contractor qualified in the installation and service of products sold and supplied by Weather-Rite, LLC and conform to all requirements set forth in the WEATHER-RITE™ manuals and all applicable governmental authorities pertaining to the installation, service and operation of the equipment. To help facilitate optimum performance and safety, Weather-Rite, LLC recommends that a qualified contractor annually inspect your WEATHER-RITE™ products and perform service where necessary, using only replacement parts sold and supplied Weather-Rite, LLC.

This document is intended to assist licensed professionals in the exercise of their professional judgement.