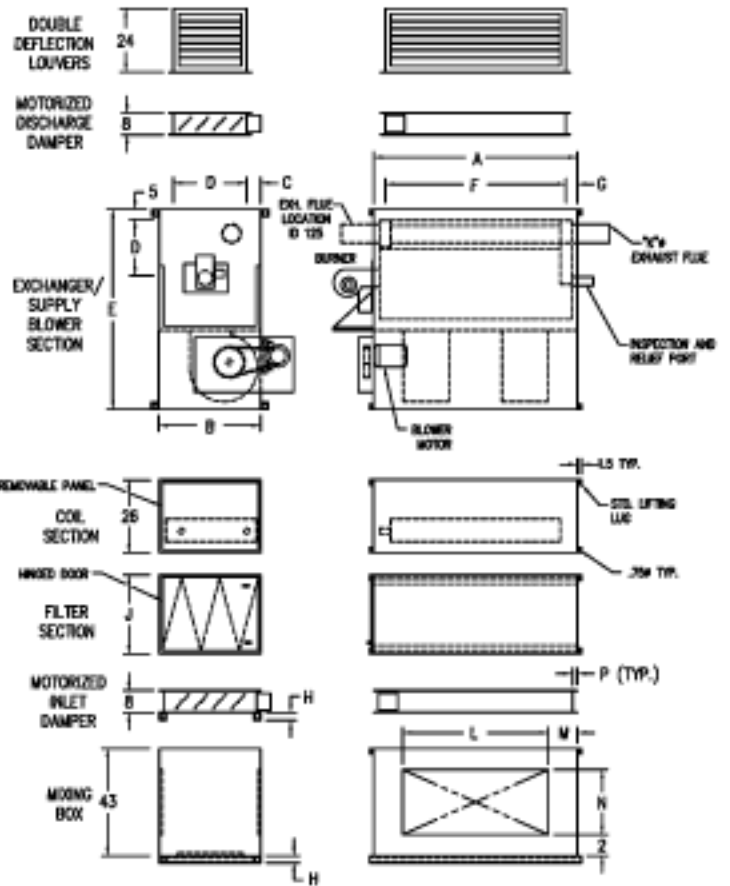


VERTICAL DIMENSIONS FOR INDIRECT FIRED UNITS
 MODELS 35, 45, 50, 65, 75, 85, 95, 100, 125

MODEL	A	B	C	D	E	F	G	H	J	K	L	M	N
Ø 35/45	60	30	4.25	21.5	95	30	5	1.5	26	8	30	5	21.5
Ø 50/65/75	72	36	3.25	21.5	85	38	7	1.5	26	8	38	7	21.5
Ø 85/100	72	36	5	26	90	38	7	1.5	36	8	38	7	33
Ø 125	85	42	4.50	33	100	36	4.5	1.5	36	10	36	7.5	33

MODEL	P	FILTER SIZE and QTY.
Ø 35/45	1	Ø 18" x 18" x 1"
Ø 50/65/75	1	Ø 18" x 18" x 1"
Ø 85/100	1.25	Ø 18" x 18" x 1"
Ø 125	1.5	Ø 18" x 18" x 1"

- NOTE:
 1. DRAWING IS NOT TO SCALE. DIMENSIONS ARE SUBJECT TO CHANGE WITHOUT NOTICE.
 2. SUGGESTED MOUNTING HEIGHT OF OUTDOOR UNIT IS 36" MINIMUM FROM ROOF SURFACE TO BOTTOM OF UNIT.
 3. ON OUTDOOR UNITS A LOANDED MASTRILE IS ADDED TO THE BURNER AREA. ALL OTHER COMPONENTS HAVE A WEATHERIZED ENCLOSURE.
 4. FLEE VENT, CHIMNEY, AND CAP REQUIRED ON ALL UNITS (SUPPLIED BY OTHERS)



Installation Code and Annual Inspections:

All installations and service of WEATHER-RITE™ products must be performed by a contractor qualified in the installation and service of products sold and supplied by Weather-Rite, LLC and conform to all requirements set forth in the WEATHER-RITE™ manuals and all applicable governmental authorities pertaining to the installation, service and operation of the equipment. To help facilitate optimum performance and safety, Weather-Rite, LLC recommends that a qualified contractor annually inspect your WEATHER-RITE™ products and perform service where necessary, using only replacement parts sold and supplied Weather-Rite, LLC.

This document is intended to assist licensed professionals in the exercise of their professional judgement.