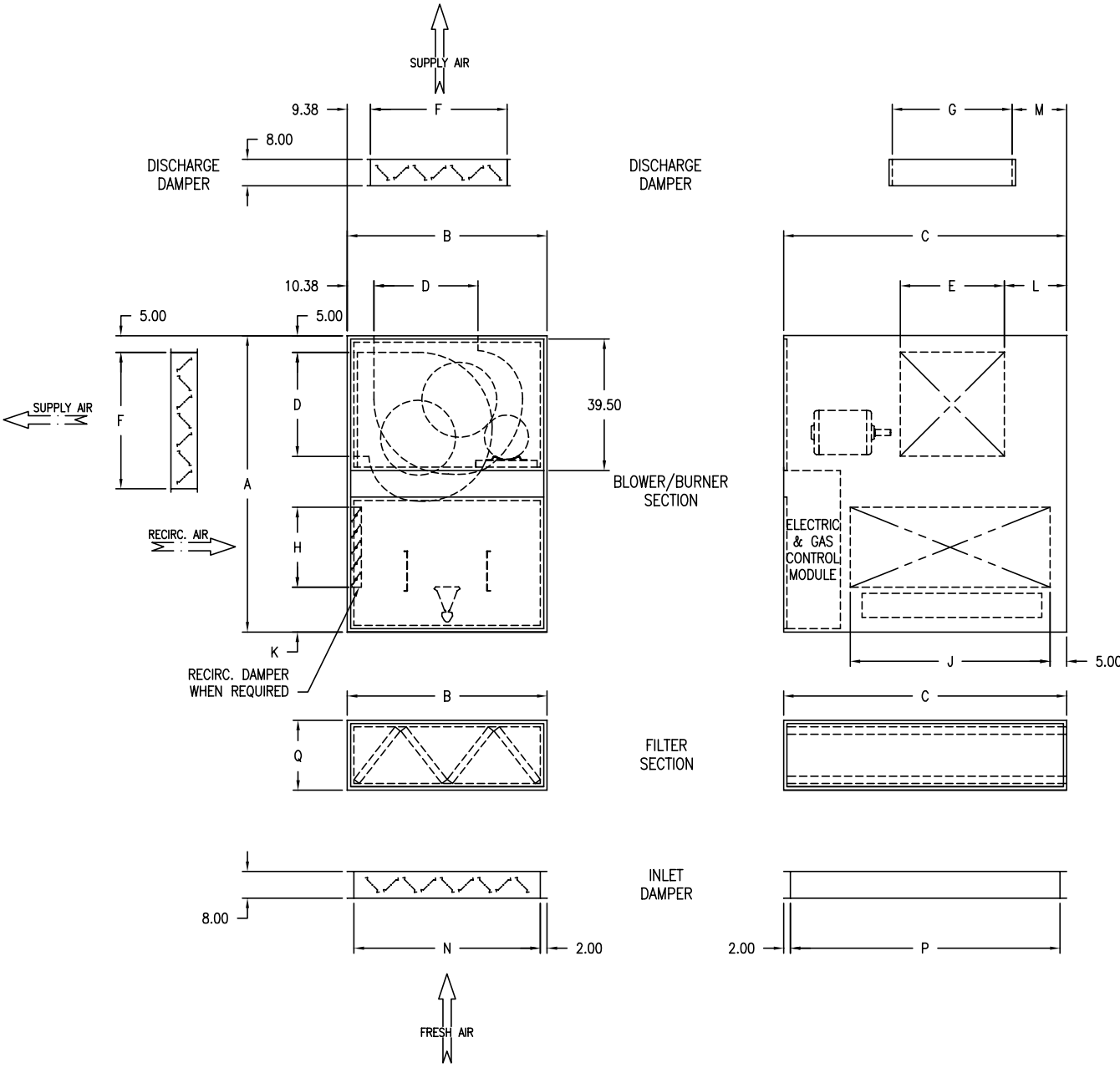


# AIR-RITE 125-130 VERTICAL UNITS



DIMENSIONS

MODEL	A	B	C	D	E	F	G	H	J	K	L	M	N	P	Q	FILTERS	QTY
ARXT, ARXTR 125	89	60	85	31.25	31.25	40	38	24	60	12	18.75	15.5	56	81	25	2x20x20 2x20x25	12 4
ARXT, ARXTR 130	95	70	98	36.75	36.75	40	38	27	73	8	22	21.5	66	94	30	2x20x25 2x16x25	16 4

- NOTES:
1. DRAWING IS NOT TO SCALE. DIMENSIONS SUBJECT TO CHANGE WITHOUT NOTIFICATION.
  2. UNITS SHOULD BE INSTALLED AT MINIMUM 24" FROM GROUND.
  3. INLET SCREEN IS PROVIDED ON OUTDOOR UNITS.
  4. ALL UNITS ARE PRE-PIPED, PRE-WIRED, AND FIRE TESTED PRIOR TO SHIPMENT.