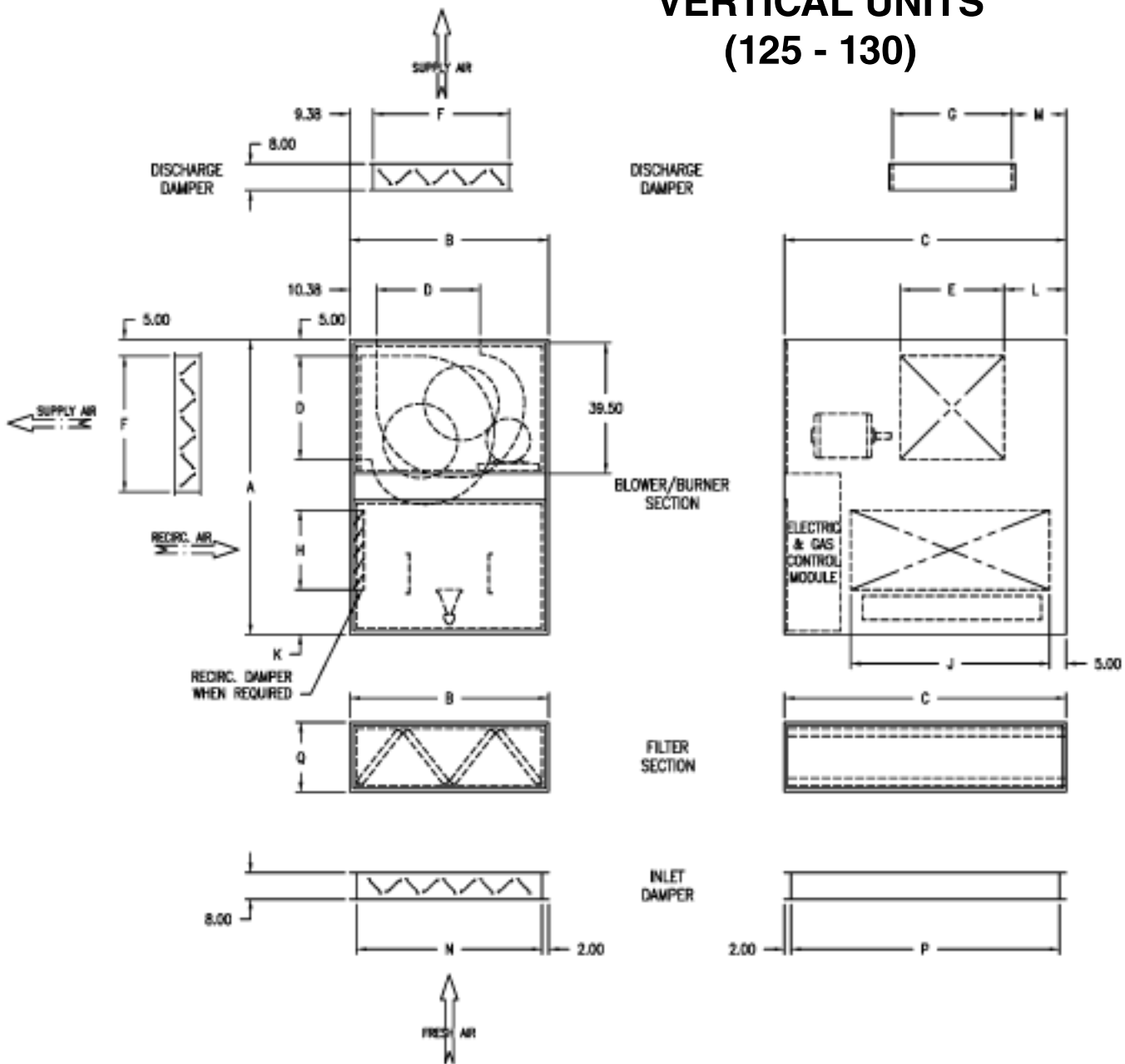


# VERTICAL UNITS (125 - 130)



DIMENSIONS																	
MODEL	A	B	C	D	E	F	G	H	J	K	L	M	N	P	Q	FILTERS	QTY
ARXT, ARXTR 125	89	60	85	31.25	31.25	40	38	24	60	12	18.75	15.5	56	81	25	2x20x20 2x20x25	12 4
ARXT, ARXTR 130	95	70	98	36.75	36.75	40	38	27	73	8	22	21.5	66	94	30	2x20x25 2x16x25	16 4

**NOTES:**

1. DRAWING IS NOT TO SCALE. DIMENSIONS SUBJECT TO CHANGE WITHOUT NOTIFICATION.
2. UNITS SHOULD BE INSTALLED AT MINIMUM 24" FROM GROUND.
3. INLET SCREEN IS PROVIDED ON OUTDOOR UNITS.
4. ALL UNITS ARE PRE-PIPED, PRE-WIRED, AND FIRE TESTED PRIOR TO SHIPMENT.

**Installation Code and Annual Inspections:**

All installations and service of WEATHER-RITE™ products must be performed by a contractor qualified in the installation and service of products sold and supplied by Weather-Rite, LLC and conform to all requirements set forth in the WEATHER-RITE™ manuals and all applicable governmental authorities pertaining to the installation, service and operation of the equipment. To help facilitate optimum performance and safety, Weather-Rite, LLC recommends that a qualified contractor annually inspect your WEATHER-RITE™ products and perform service where necessary, using only replacement parts sold and supplied Weather-Rite, LLC.

**This document is intended to assist licensed professionals in the exercise of their professional judgement.**