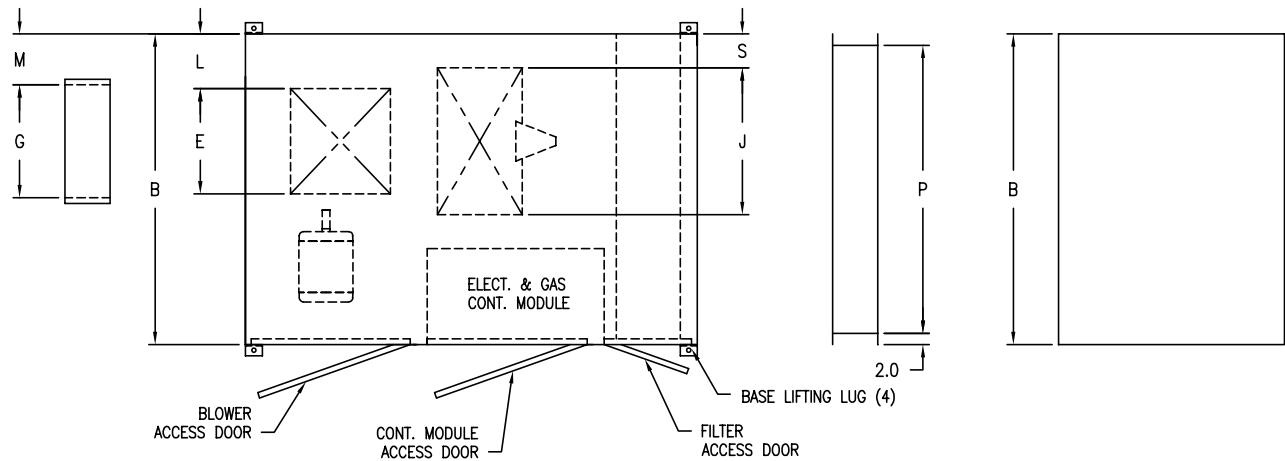


AIR-RITE 112-120 HORIZONTAL UNITS

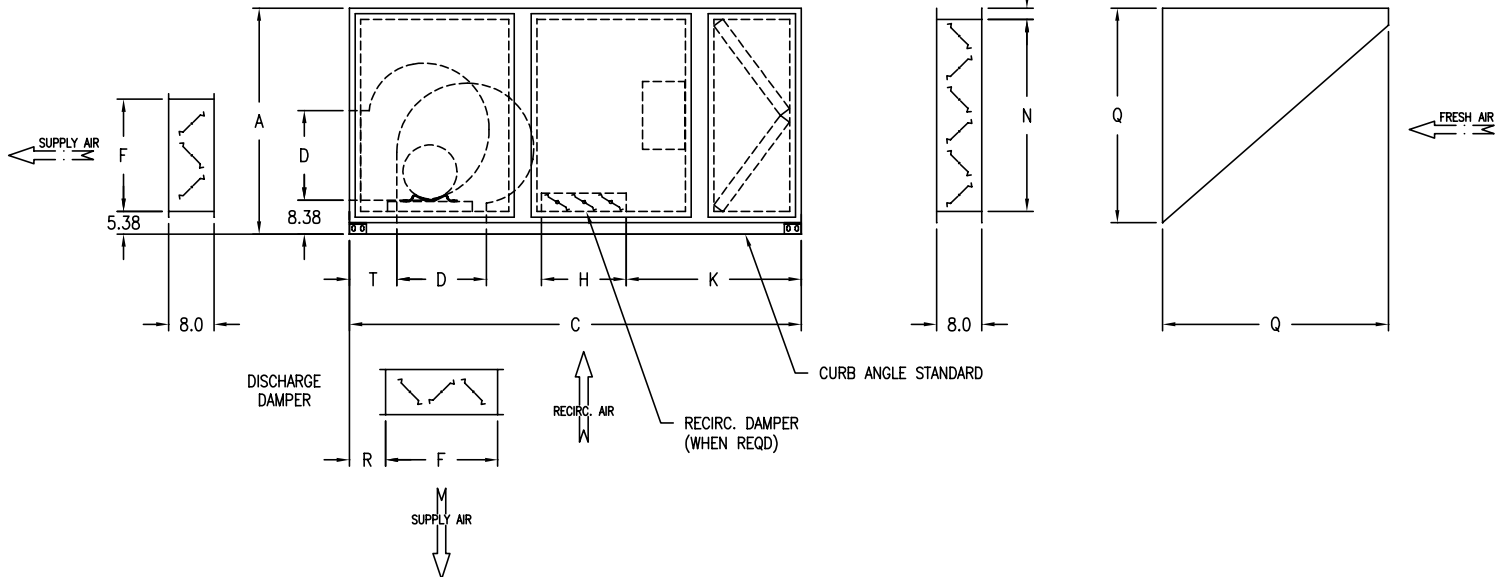


DISCHARGE DAMPER

BLOWER/BURNER/FILTER SECTION

INLET DAMPER

FRESH AIR HOOD WITH INLET SCREEN



DIMENSIONS																				
MODEL	A	B	C	D	E	F	G	H	J	K	L	M	N	P	Q	R	S	T	FILTERS	QTY
ARXT, ARXTR 112	42	50	70	13.44	15.62	19.5	26	15	26	27	9.25	4	36	46	40	5	4.5	6	2x20x25	4
ARXTM 112	42	50	80	13.44	15.62	19.5	26	n/a	n/a	n/a	9.25	4	36	46	40	5	n/a	6	2x20x25	4
ARXT, ARXTR 115	42	55	80	15.88	18.62	19.5	26	15	26	31	9.5	5.5	36	51	40	5	6	8	2x20x25	4
ARXTM 115	42	55	90	15.88	18.62	19.5	26	n/a	n/a	n/a	9.5	5.5	36	51	40	5	n/a	8	2x20x25	4
ARXT, ARXTR 118	42	55	90	18.88	21.88	19.5	26	20	30	31	9.5	7.5	36	51	40	5	6	5	2x16x25	8
ARXTM 118	42	55	100	18.88	21.88	19.5	26	n/a	n/a	n/a	9.5	7.5	36	51	40	5	n/a	5	2x16x25	8
ARXT, ARXTR 120	62	65	100	24.75	24.75	26	34	24	40	33	12	7	56	61	60	5	5	5	2x16x20	16
ARXTM 120	62	65	110	24.75	24.75	26	34	n/a	n/a	n/a	12	7	56	61	60	5	n/a	5	2x16x20	16

NOTES:

1. DRAWING IS NOT TO SCALE. DIMENSIONS SUBJECT TO CHANGE WITHOUT NOTIFICATION.
2. HH AND HB ARRANGEMENTS ARE STANDARD. CONSULT FACTORY FOR OTHER ARRANGEMENTS.
3. UNITS SHOULD BE INSTALLED AT MINIMUM 24" FROM GROUND.
4. HB UNITS MAY CARRY OVER MOISTURE, DO NOT INSTALL OVER DAMAGE-ABLE MATERIALS.
5. ALL UNITS ARE PRE-PIPED, PRE-WIRED, AND FIRE TESTED PRIOR TO SHIPMENT.