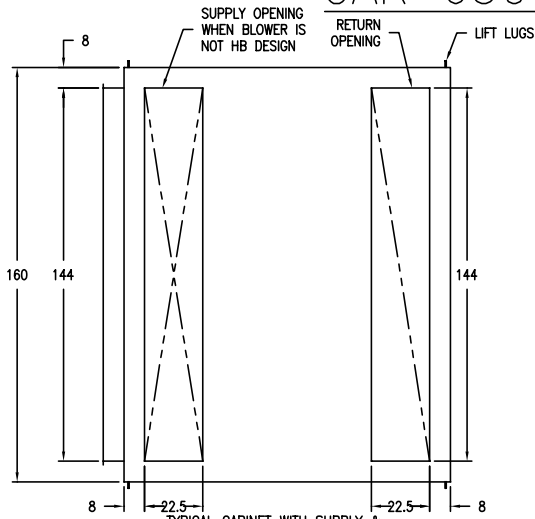
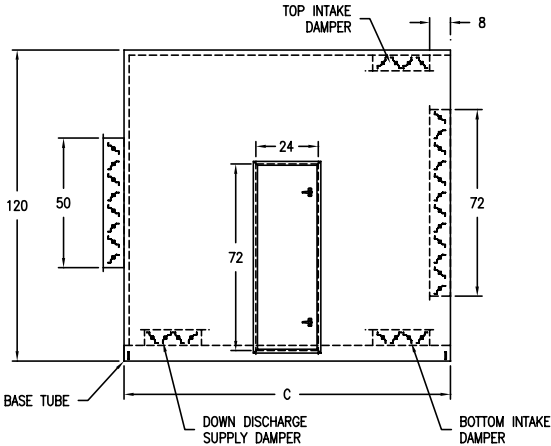


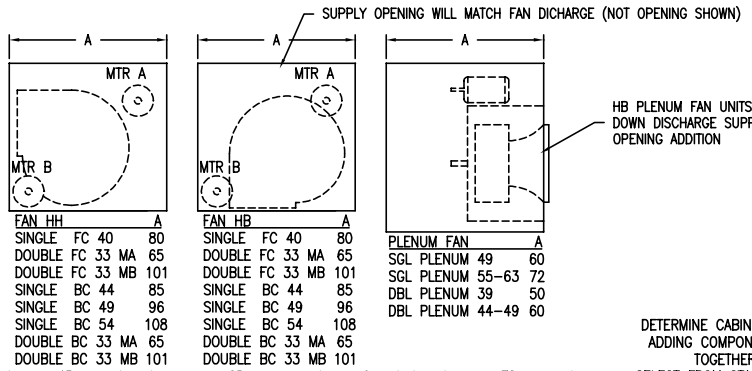
CAR 650 STANDARD REFERENCE



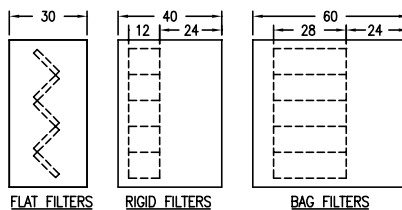
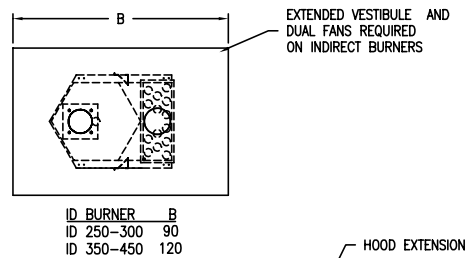
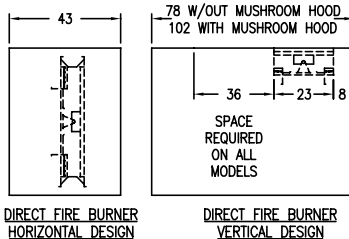
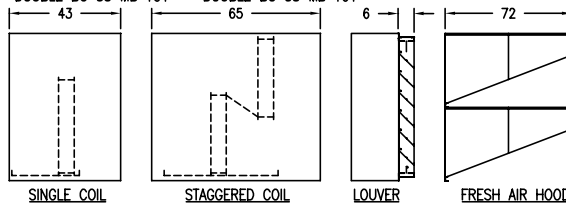
TYPICAL CABINET WITH SUPPLY & RETURN OPENINGS, DAMPER LOCATIONS AND DOOR DIMENSIONS



AVAILABLE LENGTHS	
C	54 78 102 126



DETERMINE CABINET LENGTH BY ADDING COMPONENT LENGTHS TOGETHER, AND SELECT FROM STANDARD CABINET CHART BELOW



Weather-Rite Inc.