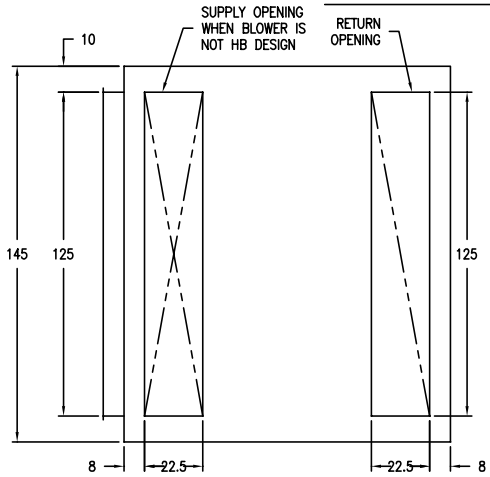
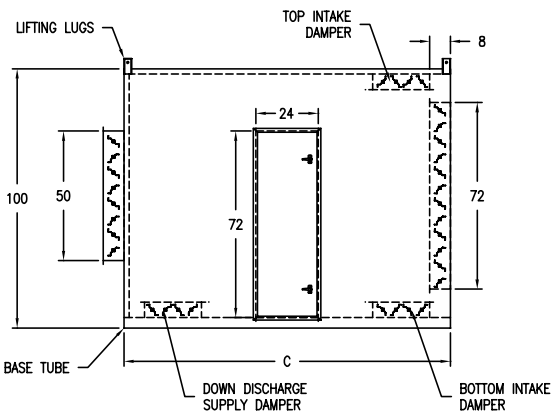


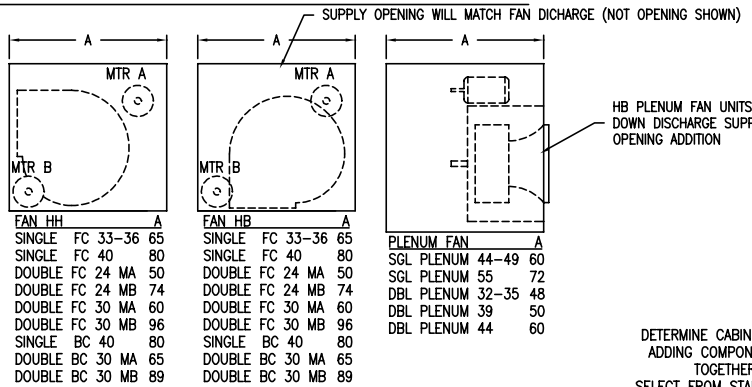
CAR 450 STANDARD REFERENCE



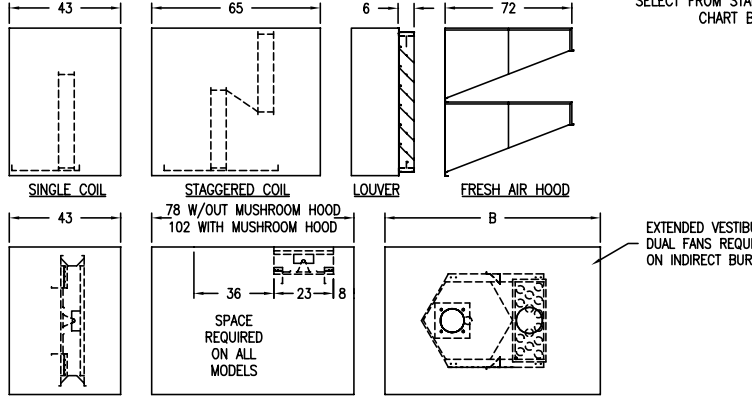
TYPICAL CABINET WITH SUPPLY & RETURN OPENINGS, DAMPER LOCATIONS AND DOOR DIMENSIONS



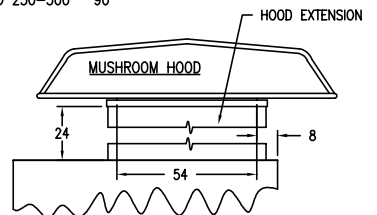
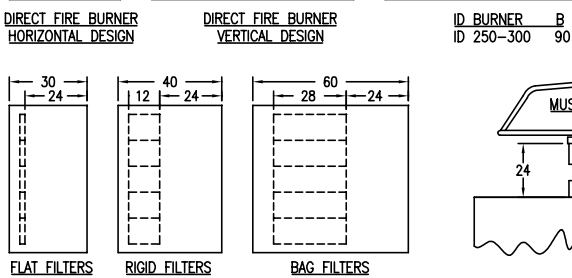
AVAILABLE LENGTHS	
C	54 78 102 126 150



HB PLENUM FAN UNITS NEED DOWN DISCHARGE SUPPLY OPENING ADDITION



DETERMINE CABINET LENGTH BY ADDING COMPONENT LENGTHS TOGETHER, AND SELECT FROM STANDARD CABINET CHART BELOW



Weather-Rite Inc.