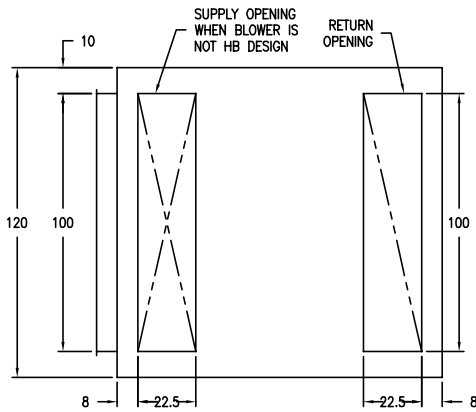
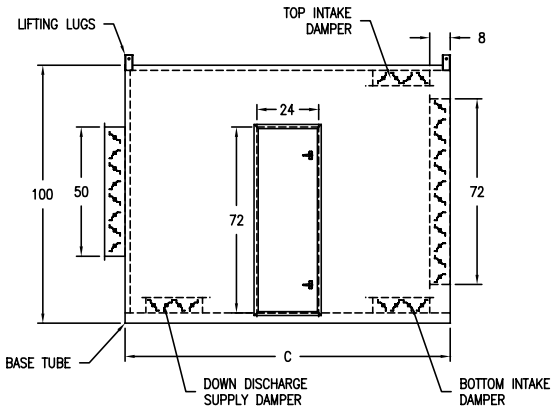


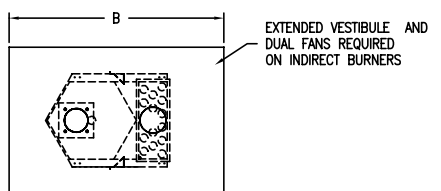
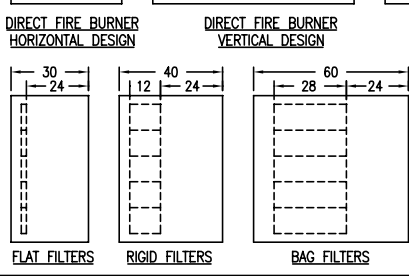
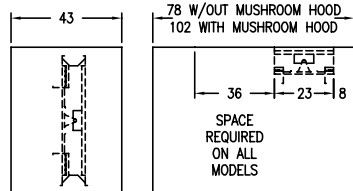
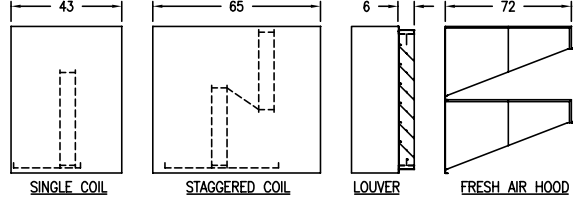
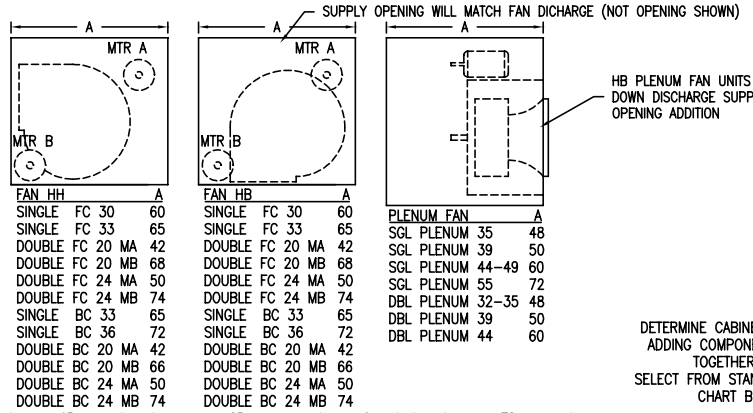
CAR 350 STANDARD REFERENCE



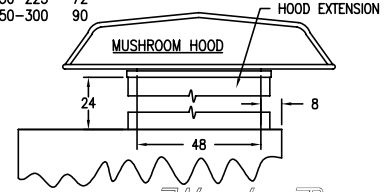
TYPICAL CABINET WITH SUPPLY & RETURN OPENINGS, DAMPER LOCATIONS AND DOOR DIMENSIONS



AVAILABLE LENGTHS	
C	54 78 102 126 150



ID BURNER	B
ID 150-225	72
ID 250-300	90



Weather-Rite Inc.