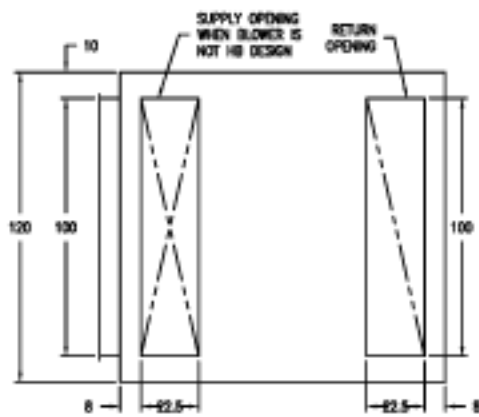
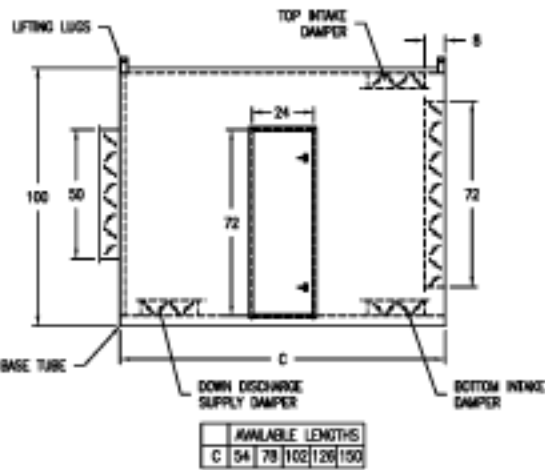


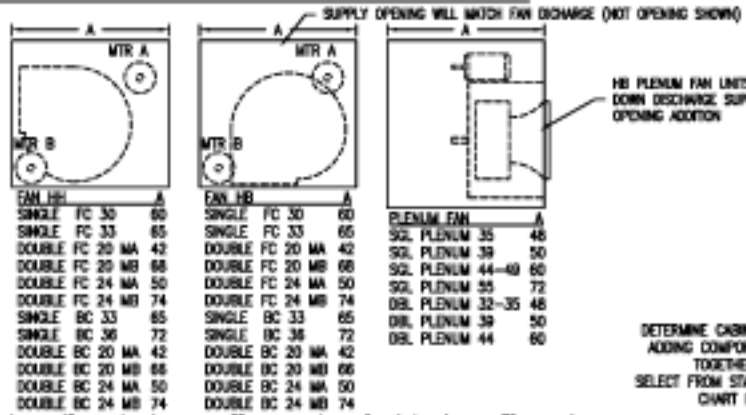
350 STANDARD REFERENCE



TYPICAL CABINET WITH SUPPLY & RETURN OPENINGS, DAMPER LOCATIONS AND DOOR DIMENSIONS



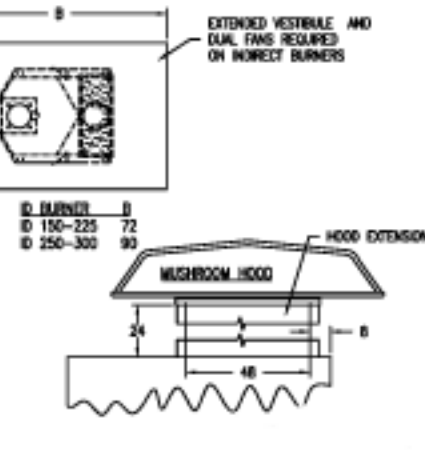
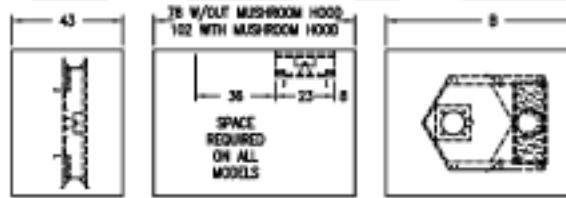
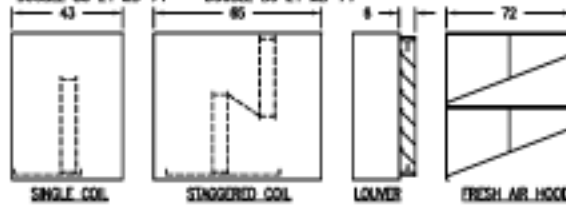
AVAILABLE LENGTHS	
C	54 78 102 126 150



FAN, HJ		A	ENL. HJ		A	PLENUM FAN		A
SINGLE	FC 30	60	SINGLE	FC 30	60	SGL. PLENUM 35	48	
SINGLE	FC 33	65	SINGLE	FC 33	65	SGL. PLENUM 39	50	
DOUBLE	FC 20 MA	42	DOUBLE	FC 20 MA	42	SGL. PLENUM 44-49	60	
DOUBLE	FC 20 MB	68	DOUBLE	FC 20 MB	68	SGL. PLENUM 55	72	
DOUBLE	FC 24 MA	50	DOUBLE	FC 24 MA	50	DBL. PLENUM 32-35	48	
DOUBLE	FC 24 MB	74	DOUBLE	FC 24 MB	74	DBL. PLENUM 39	50	
SINGLE	BC 33	65	SINGLE	BC 33	65	DBL. PLENUM 44	60	
SINGLE	BC 36	72	SINGLE	BC 36	72			
DOUBLE	BC 20 MA	42	DOUBLE	BC 20 MA	42			
DOUBLE	BC 20 MB	68	DOUBLE	BC 20 MB	68			
DOUBLE	BC 24 MA	50	DOUBLE	BC 24 MA	50			
DOUBLE	BC 24 MB	74	DOUBLE	BC 24 MB	74			

HJ PLENUM FAN UNITS NEED DOWN DISCHARGE SUPPLY OPENING ADDITION

DETERMINE CABINET LENGTH BY ADDING COMPONENT LENGTHS TOGETHER, AND SELECT FROM STANDARD CABINET CHART BELOW



Installation Code and Annual Inspections:

All installations and service of WEATHER-RITE™ products must be performed by a contractor qualified in the installation and service of products sold and supplied by Weather-Rite, LLC and conform to all requirements set forth in the WEATHER-RITE™ manuals and all applicable governmental authorities pertaining to the installation, service and operation of the equipment. To help facilitate optimum performance and safety, Weather-Rite, LLC recommends that a qualified contractor annually inspect your WEATHER-RITE™ products and perform service where necessary, using only replacement parts sold and supplied Weather-Rite, LLC.

This document is intended to assist licensed professionals in the exercise of their professional judgement.