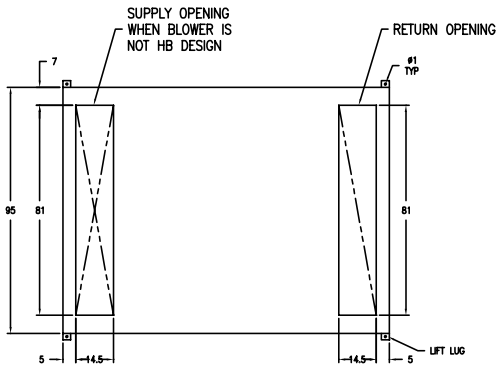
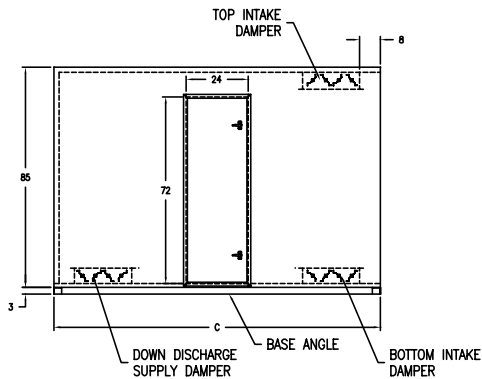


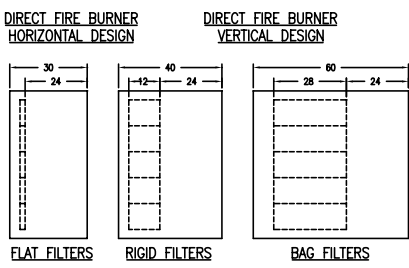
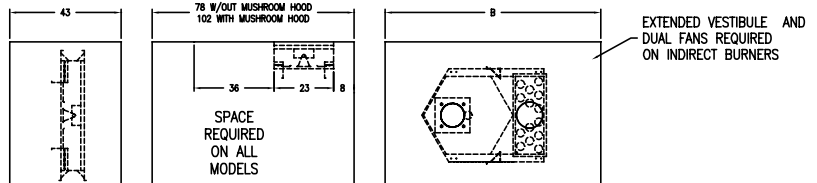
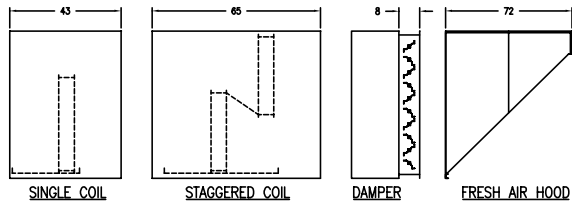
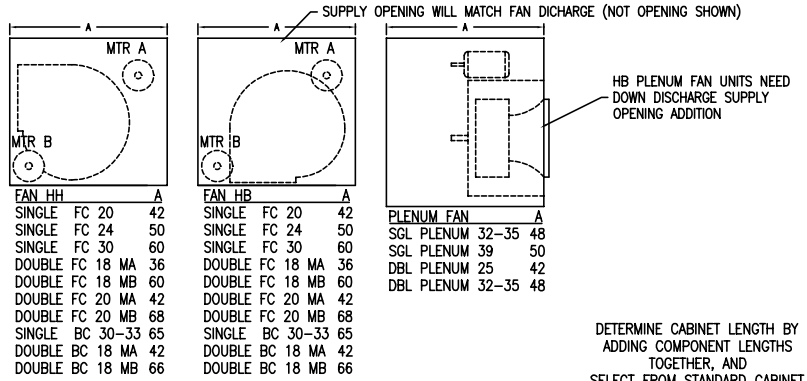
CAR 250 STANDARD REFERENCE



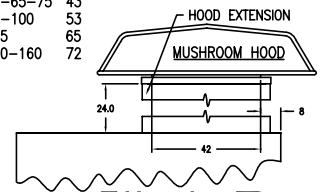
TYPICAL CABINET WITH SUPPLY & RETURN OPENINGS, DAMPER LOCATIONS AND DOOR DIMENSIONS



AVAILABLE LENGTHS	
C	54 78 102 126 150



ID BURNER	B
ID 50-65-75	43
ID 85-100	53
ID 125	65
ID 150-160	72



Wenther-Rite Inc.