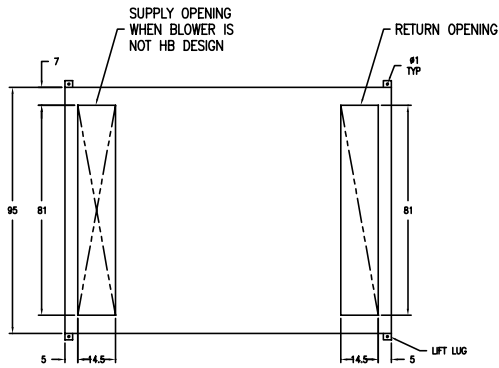
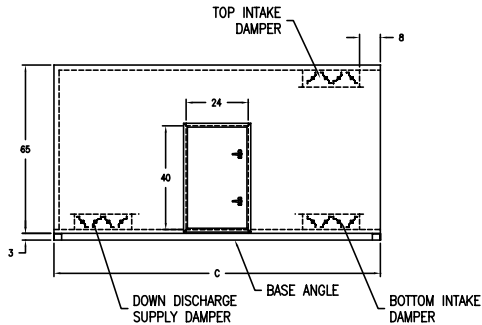


CAR 180 STANDARD REFERENCE



TYPICAL CABINET WITH SUPPLY & RETURN OPENINGS, DAMPER LOCATIONS AND DOOR DIMENSIONS



AVAILABLE LENGTHS	
C	54 78 102 126 150

SUPPLY OPENING WILL MATCH FAN DISCHARGE (NOT OPENING SHOWN)

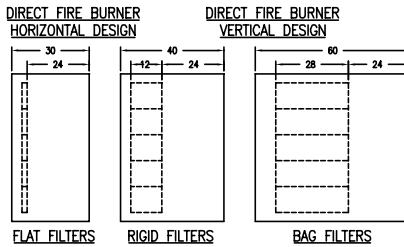
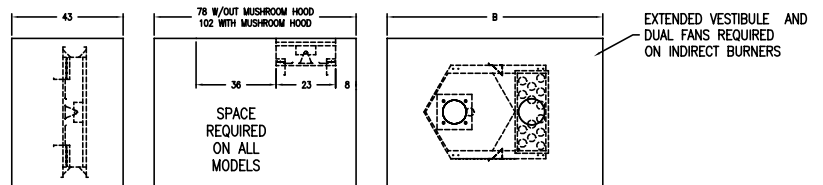
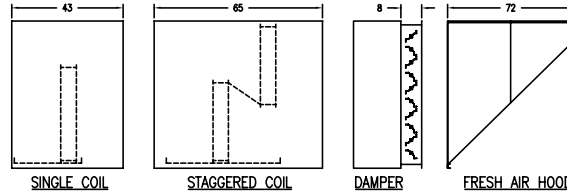
HB PLENUM FAN UNITS NEED DOWN DISCHARGE SUPPLY OPENING ADDITION

FAN HH		A
SINGLE FC 18	36	
SINGLE FC 20	42	
SINGLE FC 24	50	
DOUBLE FC 15 MA	30	
DOUBLE FC 15 MB	54	
DOUBLE FC 18 MA	36	
DOUBLE FC 18 MB	60	
SINGLE BC 18-20	42	
SINGLE BC 24	50	
DOUBLE BC 15 MA	36	
DOUBLE BC 15 MB	60	
DOUBLE BC 18 MA	42	
DOUBLE BC 18 MB	66	

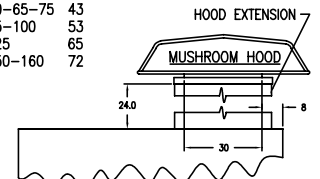
FAN HB		A
SINGLE FC 18	36	
SINGLE FC 20	42	
SINGLE FC 24	50	
DOUBLE FC 15 MA	30	
DOUBLE FC 15 MB	54	
DOUBLE FC 18 MA	36	
DOUBLE FC 18 MB	60	
SINGLE BC 18-20	42	
SINGLE BC 24	50	
DOUBLE BC 15 MA	36	
DOUBLE BC 15 MB	60	
DOUBLE BC 18 MA	42	
DOUBLE BC 18 MB	66	

PLENUM FAN		A
SGL PLENUM 25	42	
SGL PLENUM 32-35	48	
DBL PLENUM 16	36	
DBL PLENUM 18	36	
DBL PLENUM 20	36	

DETERMINE CABINET LENGTH BY ADDING COMPONENT LENGTHS TOGETHER, AND SELECT FROM STANDARD CABINET CHART BELOW



ID BURNER	B
ID 50-65-75	43
ID 85-100	53
ID 125	65
ID 150-160	72



Wenther-Rite Inc.