

*Weather-Rite LLC*

***Air Handlers  
Direct-Fired Heating • Pressurization***



***XT-Series  
Dimension and Selection Guide***

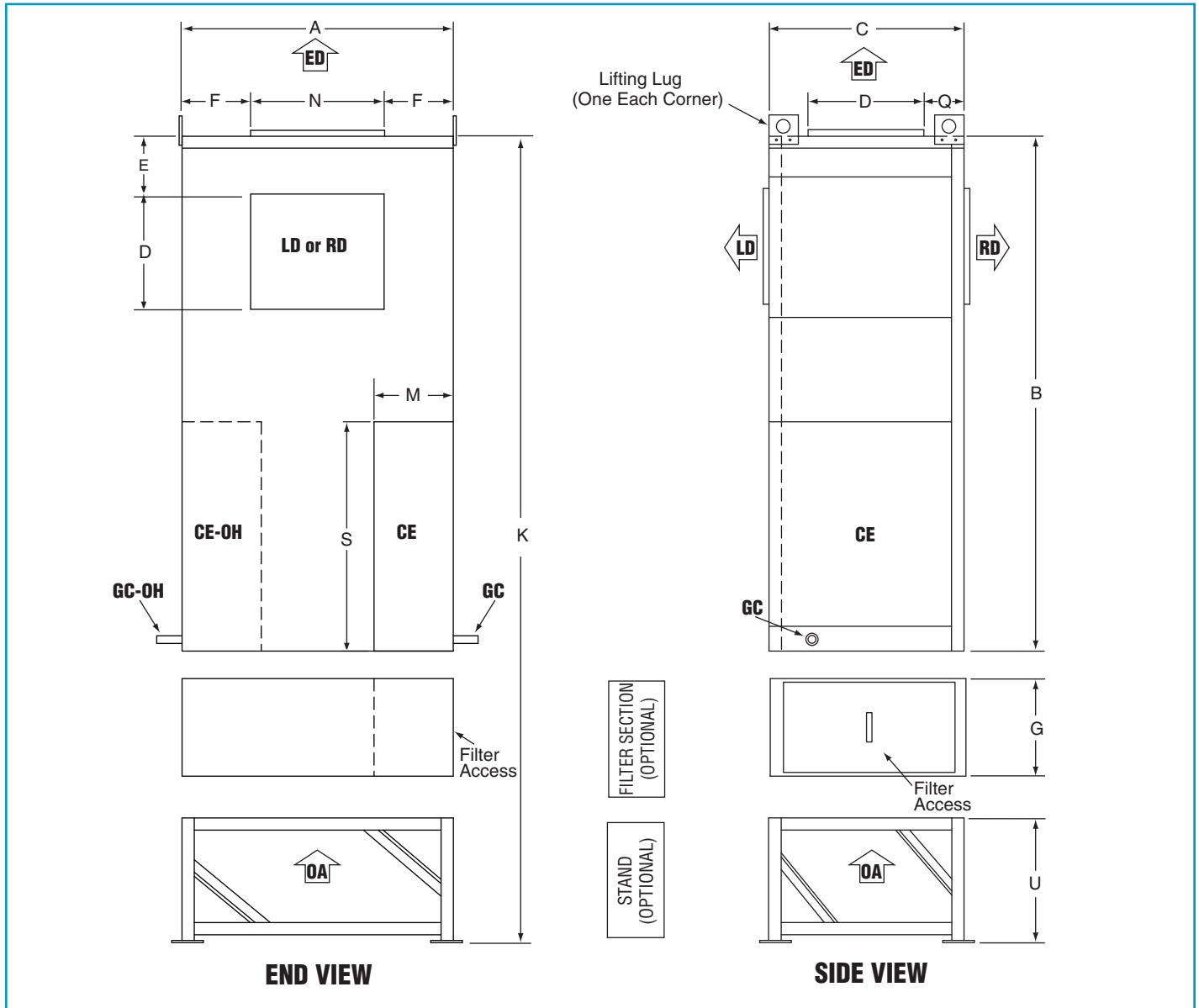
***1.800.589.3691  
www.weather-rite.com***



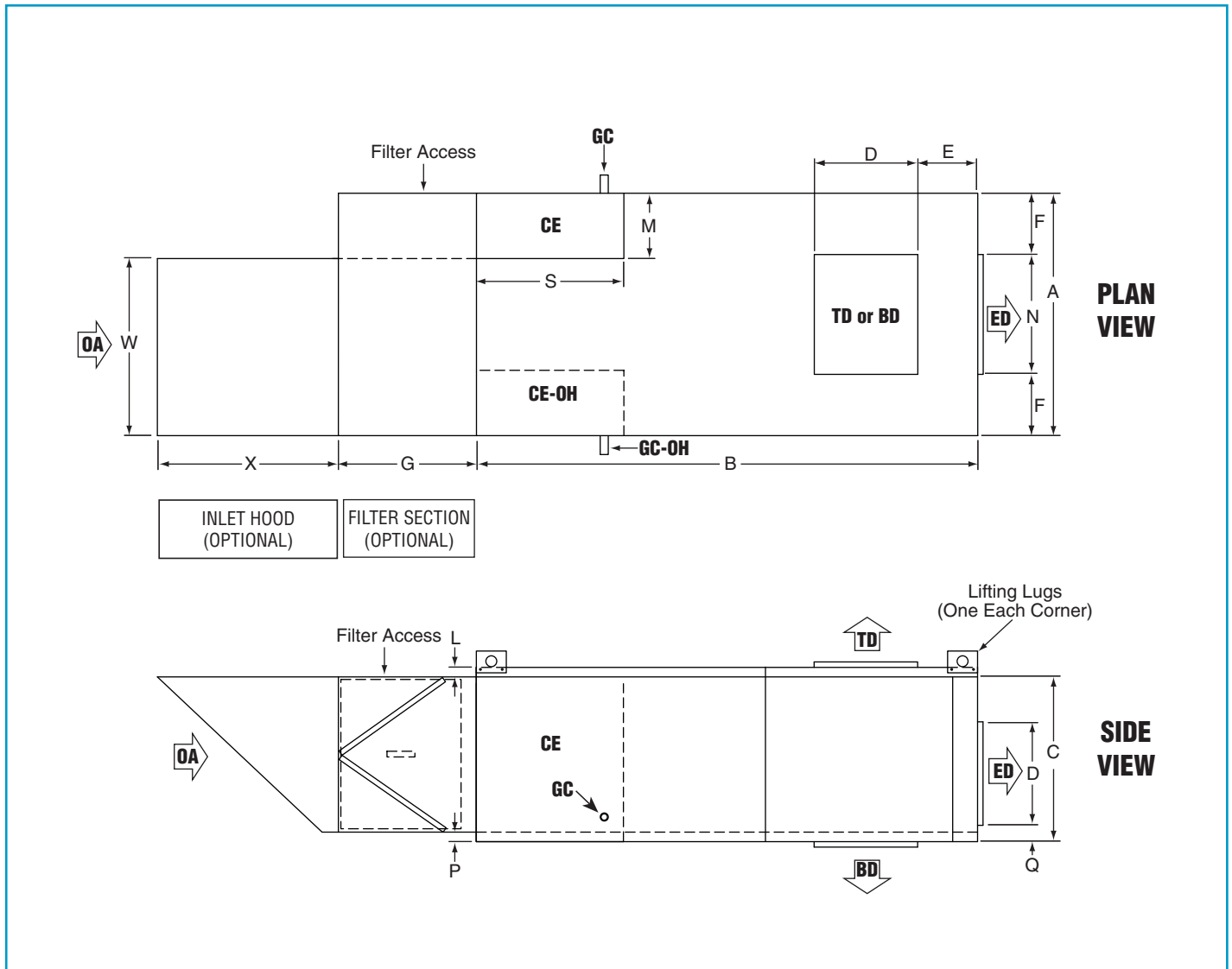
**Intertek**

CANADA: 100% OUTSIDE AIR ONLY

# XT112 Upright Model



| Model     |      | CFM           | A    | B     | C    | D    | E    | F    | G    | K     | L   | M    | N    | P   | Q   | S    | U    | W    | X    |
|-----------|------|---------------|------|-------|------|------|------|------|------|-------|-----|------|------|-----|-----|------|------|------|------|
| XT<br>112 | (in) | 1,000 - 3,000 | 32.3 | 60.3  | 28.3 | 10.4 | 6.8  | 11.5 | 27.0 | 117.3 | 1.5 | 8.0  | 9.3  | 1.8 | 3.1 | 35.2 | 30.0 | 25.0 | 38.4 |
|           | (cm) |               | 82.1 | 153.2 | 71.9 | 26.4 | 17.3 | 29.2 | 68.6 | 297.9 | 3.8 | 20.3 | 23.6 | 4.6 | 7.9 | 89.4 | 76.2 | 63.5 | 97.5 |
|           | (in) | 4,000         | 32.3 | 60.3  | 28.3 | 13.8 | 7.6  | 8.2  | 27.0 | 117.3 | 1.5 | 8.0  | 15.8 | 1.8 | 3.1 | 35.2 | 30.0 | 25.0 | 38.4 |
|           | (cm) |               | 82.1 | 153.2 | 71.9 | 35.1 | 19.3 | 20.8 | 68.6 | 297.9 | 3.8 | 20.3 | 40.1 | 4.6 | 7.9 | 89.4 | 76.2 | 63.5 | 97.5 |



| ESTIMATED SHIPPING WEIGHTS - MOTORS |              |            |             |             |             |             |              |              |              |              |              |              |
|-------------------------------------|--------------|------------|-------------|-------------|-------------|-------------|--------------|--------------|--------------|--------------|--------------|--------------|
| SIZE                                | HP<br>kW     | 2<br>1.5   | 3<br>2.2    | 5<br>3.7    | 7.5<br>5.6  | 10<br>7.5   | 15<br>11.2   | 20<br>14.9   | 25<br>18.6   | 30<br>22.4   | 40<br>30.0   | 50<br>37.0   |
| ODP                                 | (lb)<br>(kg) | 58<br>26.3 | 69<br>31.3  | 77<br>34.9  | 120<br>54.4 | 164<br>74.4 | 231<br>104.8 | 269<br>122.0 | 339<br>153.8 | 398<br>180.5 | 608<br>275.8 | 629<br>285.3 |
| TEFC                                | (lb)<br>(kg) | 90<br>40.8 | 135<br>61.2 | 133<br>60.3 | 200<br>90.7 | 219<br>99.3 | 316<br>143.3 | 395<br>179.2 | 510<br>231.3 | 545<br>247.2 | 710<br>322.1 | 795<br>360.6 |

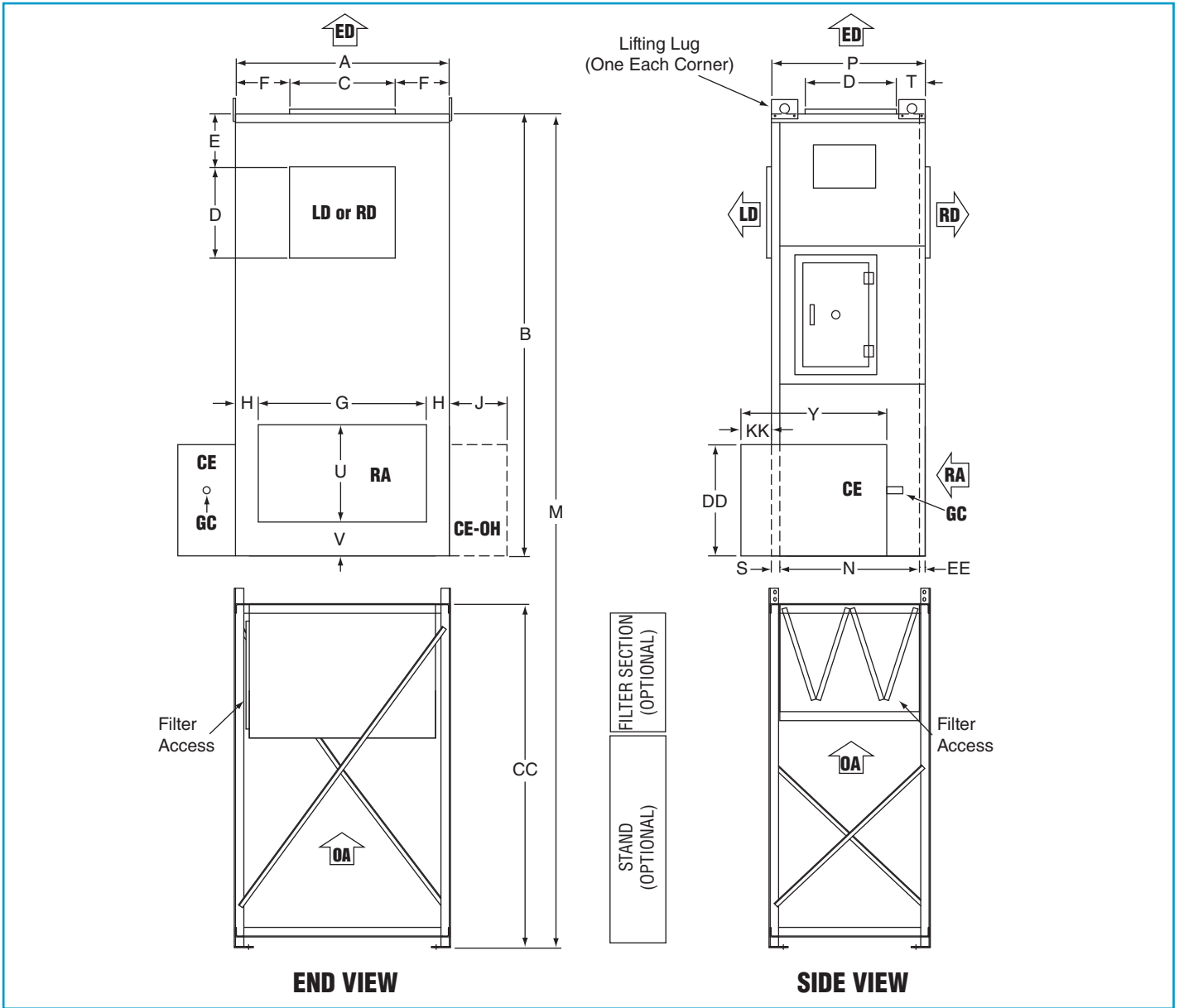
| ESTIMATED SHIPPING WEIGHTS |      |             |      |
|----------------------------|------|-------------|------|
| Model                      |      | Air Handler | Skid |
| XT 112                     | (lb) | 450.0       | 50.0 |
|                            | (kg) | 204.1       | 22.7 |

| LEGEND                        |                             |
|-------------------------------|-----------------------------|
| <b>BD</b> = Bottom Discharge  | <b>OA</b> = Outside Air     |
| <b>CE</b> = Control Enclosure | <b>RD</b> = Right Discharge |
| <b>GC</b> = Gas Connection    | <b>TD</b> = Top Discharge   |
| <b>ED</b> = End Discharge     | <b>OH</b> = Opposite Hand   |
| <b>LD</b> = Left Discharge    |                             |

## IMPORTANT NOTES:

- Shipping weights apply to both horizontal and upright models.
- All dimensions and weights are subject to change without notice.
- Outdoor air duct size varies. Consult factory.
- Control enclosure is located on left side of air handler when looking downstream into inlet end.

# XT115, XT118, XT125 & XT130 Upright Model



| DIMENSIONS |      |       |       |      |      |      |      |       |      |      |       |       |       |       |      |     |     |      |      |       |       |      |
|------------|------|-------|-------|------|------|------|------|-------|------|------|-------|-------|-------|-------|------|-----|-----|------|------|-------|-------|------|
| Model      |      | A     | B     | C    | D    | E    | F    | G     | H    | J    | M     | N     | P     | Q     | R    | S   | T   | U    | V    | W     | Y     | Z    |
| XT 115/    | (in) | 44.2  | 92.3  | 22.0 | 19.0 | 10.5 | 11.1 | 37.9  | 3.2  | 14.0 | *     | 29.6  | 32.7  | 48.1  | 35.1 | 1.6 | 3.0 | 10.0 | 3.4  | 56.4  | 37.2  | 34.0 |
| XT 118     | (cm) | 112.3 | 234.4 | 55.9 | 48.3 | 26.7 | 28.2 | 96.3  | 8.1  | 35.6 | *     | 75.2  | 83.1  | 122.2 | 89.2 | 4.1 | 7.6 | 25.4 | 8.6  | 143.2 | 94.5  | 86.3 |
| XT 125     | (in) | 56.0  | 116.2 | 31.5 | 31.5 | 13.8 | 12.3 | 44.3  | 6.0  | 17.0 | 188.2 | 52.6  | 56.1  | 69.6  | 23.3 | 1.5 | 3.9 | 26.5 | 6.0  | 89.3  | 44.0  | 31.0 |
|            | (cm) | 142.2 | 295.1 | 80.0 | 80.0 | 35.0 | 31.2 | 112.5 | 15.2 | 43.2 | 477.8 | 133.6 | 142.5 | 176.8 | 59.2 | 3.8 | 9.9 | 67.3 | 15.2 | 226.8 | 111.8 | 78.7 |
| XT 130     | (in) | 68.0  | 116.2 | 36.8 | 36.8 | 17.0 | 15.6 | 56.3  | 6.0  | 17.0 | 188.2 | 56.6  | 60.1  | 69.6  | 23.3 | 1.5 | 3.9 | 30.5 | 6.0  | 86.9  | 44.0  | 31.0 |
|            | (cm) | 172.7 | 295.1 | 93.5 | 93.5 | 43.2 | 39.6 | 143.0 | 15.2 | 43.2 | 477.8 | 143.8 | 152.7 | 176.8 | 59.2 | 3.8 | 9.9 | 77.5 | 15.2 | 220.7 | 111.8 | 78.7 |

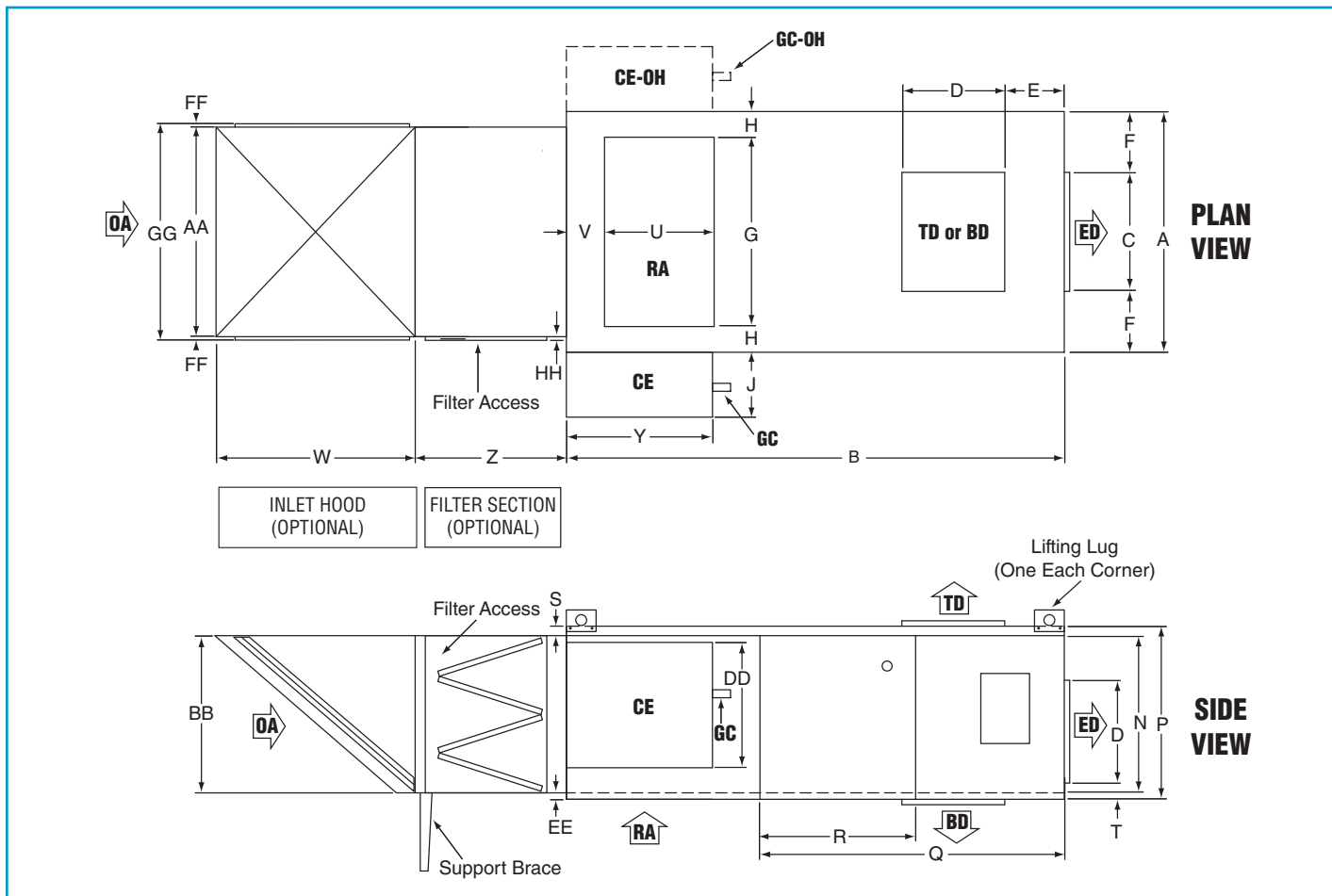
\*Refer to M\* in stand chart below.

| DIMENSIONS |      |       |       |       |      |     |     |       |     |      |
|------------|------|-------|-------|-------|------|-----|-----|-------|-----|------|
| Model      |      | AA    | BB    | CC    | DD   | EE  | FF  | GG    | HH  | KK   |
| XT 115/    | (in) | 38.8  | 28.8  | **    | 29.0 | 1.5 | 1.1 | 41.0  | 0.5 | 6.5  |
| XT 118     | (cm) | 98.6  | 73.2  | **    | 73.7 | 3.8 | 2.8 | 104.1 | 1.3 | 16.5 |
| XT 125     | (in) | 49.7  | 52.8  | 72.0  | 33.0 | 2.0 | 1.1 | 52.0  | 0.4 | N/A  |
|            | (cm) | 126.2 | 134.1 | 182.9 | 83.8 | 5.1 | 2.8 | 132.1 | 1.0 | N/A  |
| XT 130     | (in) | 64.1  | 56.8  | 72.0  | 33.0 | 2.0 | 1.1 | 66.4  | 0.4 | N/A  |
|            | (cm) | 162.8 | 144.3 | 182.9 | 83.8 | 5.1 | 2.8 | 168.7 | 1.0 | N/A  |

| DIMENSIONS        |      |       |             |
|-------------------|------|-------|-------------|
| Model             |      | M*    | Height CC** |
| XT 115/<br>XT 118 | (in) | 145.3 | 53.0        |
|                   | (cm) | 369.1 | 134.6       |
| XT 115/<br>XT 118 | (in) | 164.3 | 72.0        |
|                   | (cm) | 417.3 | 182.9       |

\*\*Refer to CC\*\* in stand chart to the right.

# XT115, XT118, XT125 & XT130 Horizontal Model



| ESTIMATED SHIPPING WEIGHTS - MOTORS |              |            |             |             |             |             |              |              |              |              |              |              |
|-------------------------------------|--------------|------------|-------------|-------------|-------------|-------------|--------------|--------------|--------------|--------------|--------------|--------------|
| Size                                | HP<br>kW     | 2<br>1.5   | 3<br>2.2    | 5<br>3.7    | 7.5<br>5.6  | 10<br>7.5   | 15<br>11.2   | 20<br>14.9   | 25<br>18.6   | 30<br>22.4   | 40<br>30.0   | 50<br>37.0   |
| ODP                                 | (lb)<br>(kg) | 58<br>26.3 | 69<br>31.3  | 77<br>34.9  | 120<br>54.4 | 164<br>74.4 | 231<br>104.8 | 269<br>122.0 | 339<br>153.8 | 398<br>180.5 | 608<br>275.8 | 629<br>285.3 |
| TEFC                                | (lb)<br>(kg) | 90<br>40.8 | 135<br>61.2 | 133<br>60.3 | 200<br>90.7 | 219<br>99.3 | 316<br>143.3 | 395<br>179.2 | 510<br>231.3 | 545<br>247.2 | 710<br>322.1 | 795<br>360.6 |

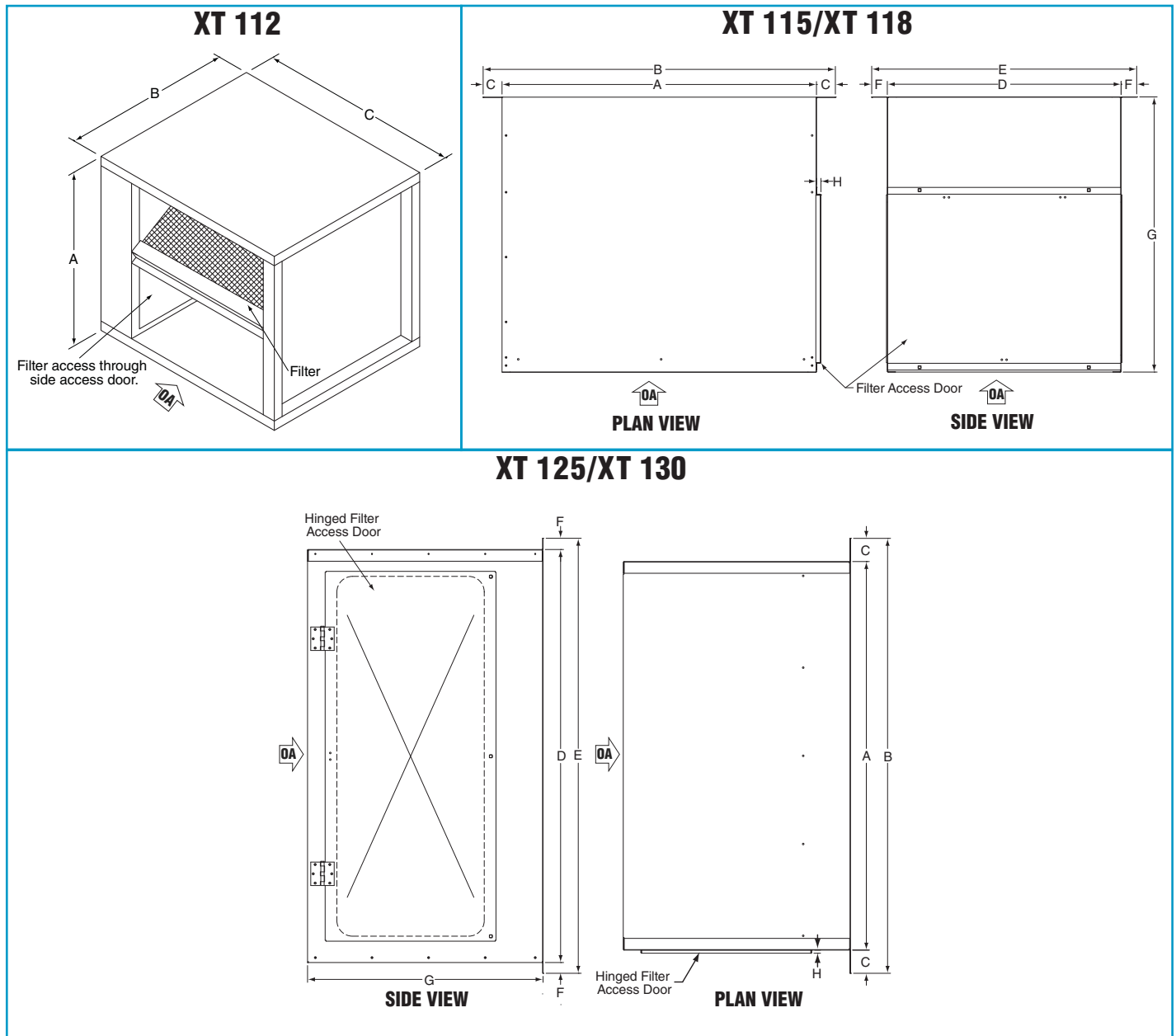
| ESTIMATED SHIPPING WEIGHTS |      |             |       |
|----------------------------|------|-------------|-------|
| Model                      |      | Air Handler | Skid  |
| XT 115/<br>XT 118          | (lb) | 700.0       | 140.0 |
|                            | (kg) | 317.5       | 63.5  |
| XT 125                     | (lb) | 1,400.0     | 340.0 |
|                            | (kg) | 638.0       | 154.2 |
| XT 130                     | (lb) | 1,650.0     | 365.0 |
|                            | (kg) | 748.4       | 165.6 |

| LEGEND                        |                                   |
|-------------------------------|-----------------------------------|
| <b>BD</b> = Bottom Discharge  | <b>OA</b> = Outside Air           |
| <b>CE</b> = Control Enclosure | <b>RA</b> = Return Air (Optional) |
| <b>GC</b> = Gas Connection    | <b>RD</b> = Right Discharge       |
| <b>ED</b> = End Discharge     | <b>TD</b> = Top Discharge         |
| <b>LD</b> = Left Discharge    | <b>OH</b> = Opposite Hand         |

## IMPORTANT NOTES:

- Shipping weights apply to both horizontal and upright models.
- All dimensions and weights are subject to change without notice.
- Outdoor air duct size varies. Consult factory.
- Support brace required on horizontal units only if both filter section and inlet hood are required. Support brace provided by factory.
- Control enclosure is located on right side of air handler when looking downstream into inlet end.
- Return Air (RA) is only for Fixed Recirculation (FR) and Air Management (AM) styles.

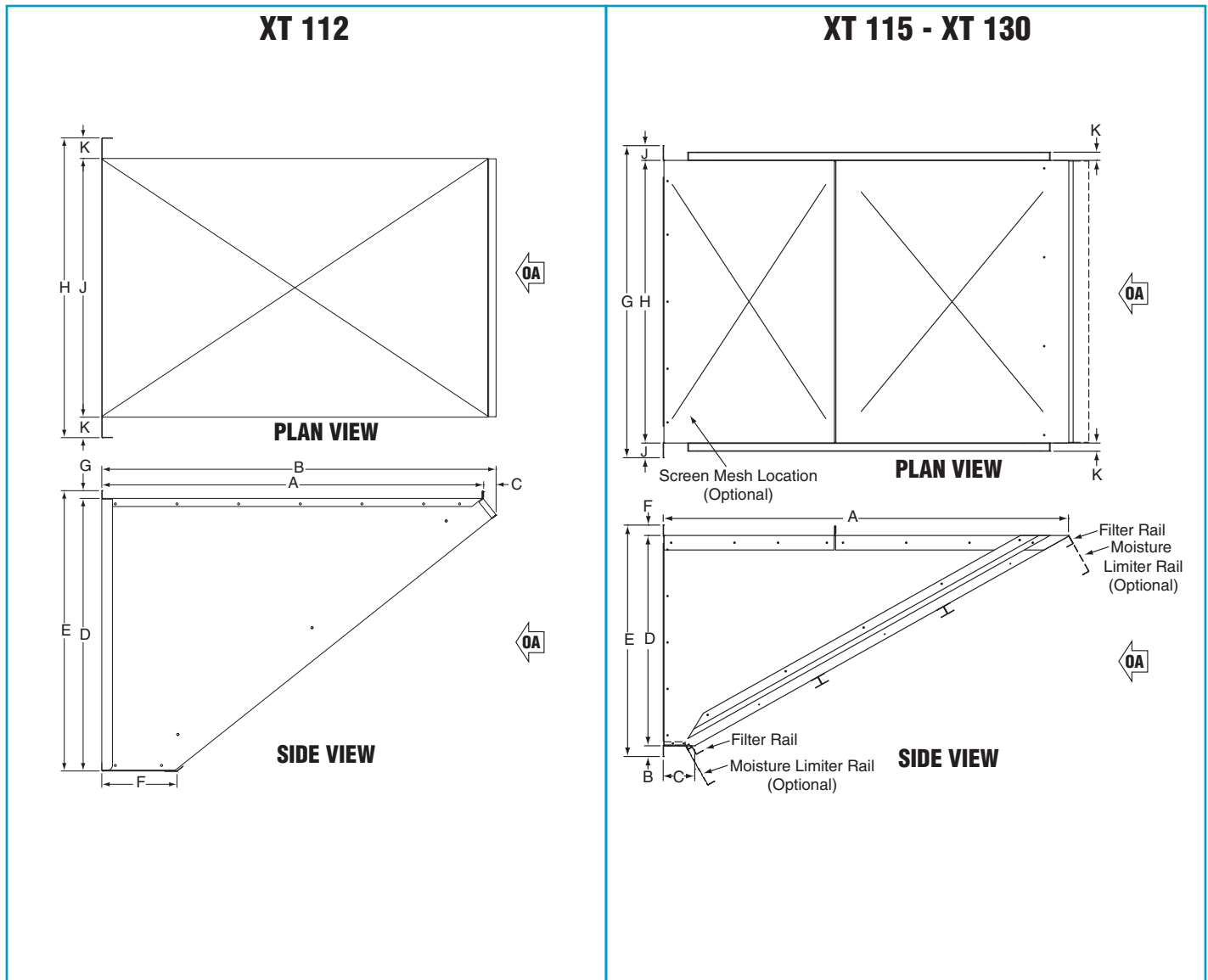
# Filter Sections



## IMPORTANT NOTES:

- Models XT 115 - XT 130 filter section is shipped unassembled.
- Models XT 112 filter section is shipped assembled.

| DIMENSIONS        |              | FILTERS                 |               |              |               |                      |            |              |            | WEIGHT   |        |                                   |     |       |       |
|-------------------|--------------|-------------------------|---------------|--------------|---------------|----------------------|------------|--------------|------------|--|--------|-----------------------------------|-----|-------|-------|
|                   |              | PERMANENT ALUMINUM MESH |               |              |               | DISPOSABLE POLYESTER |            |              |            |  |        |                                   |     |       |       |
| Model             |              | A                       | B             | C            | D             | E                    | F          | G            | H          | Size   | Qty    | Size                              | Qty | lbs   | kg    |
| XT 112            | (in)<br>(cm) | 28.3<br>71.9            | 27.0<br>68.6  | 32.3<br>82.1 | N/A           | N/A                  | N/A        | N/A          | N/A        | 20 x 25 x 2<br>50.8 x 63.5 x 5.1                                   | 2      | 20 x 50 x 1<br>50.8 x 127 x 2.5   | 1   | 100.0 | 45.4  |
| XT 115/<br>XT 118 | (in)<br>(cm) | 38.8<br>98.6            | 43.4<br>110.2 | 2.3<br>5.9   | 28.8<br>73.2  | 32.7<br>83.1         | 1.9<br>4.9 | 34.0<br>86.3 | 0.5<br>1.3 | 20 x 20 x 1<br>50.8 x 50.8 x 2.5                                   | 8      | 20 x 40 x 1<br>50.8 x 101.6 x 2.5 | 4   | 100.0 | 45.4  |
| XT 125            | (in)<br>(cm) | 49.7<br>126.2           | 55.7<br>141.5 | 3.0<br>7.6   | 52.8<br>134.1 | 55.7<br>141.5        | 1.4<br>3.6 | 31.0<br>78.7 | 0.4<br>1.0 | 20 x 25 x 1<br>50.8 x 63.5 x 2.5                                   | 12     | 20 x 50 x 1<br>50.8 x 127 x 2.5   | 6   | 220.0 | 99.8  |
| XT 130            | (in)<br>(cm) | 64.1<br>162.8           | 68.3<br>173.5 | 2.1<br>5.3   | 56.8<br>144.3 | 60.7<br>154.2        | 1.9<br>4.8 | 31.0<br>78.7 | 0.4<br>1.0 | 20 x 20 x 1 & 20 x 25 x 1<br>50.8 x 50.8 x 2.5 & 50.8 x 63.5 x 2.5 | 16 & 8 | 20 x 60 x 1<br>50.8 x 152.4 x 2.5 | 8   | 270.0 | 122.5 |

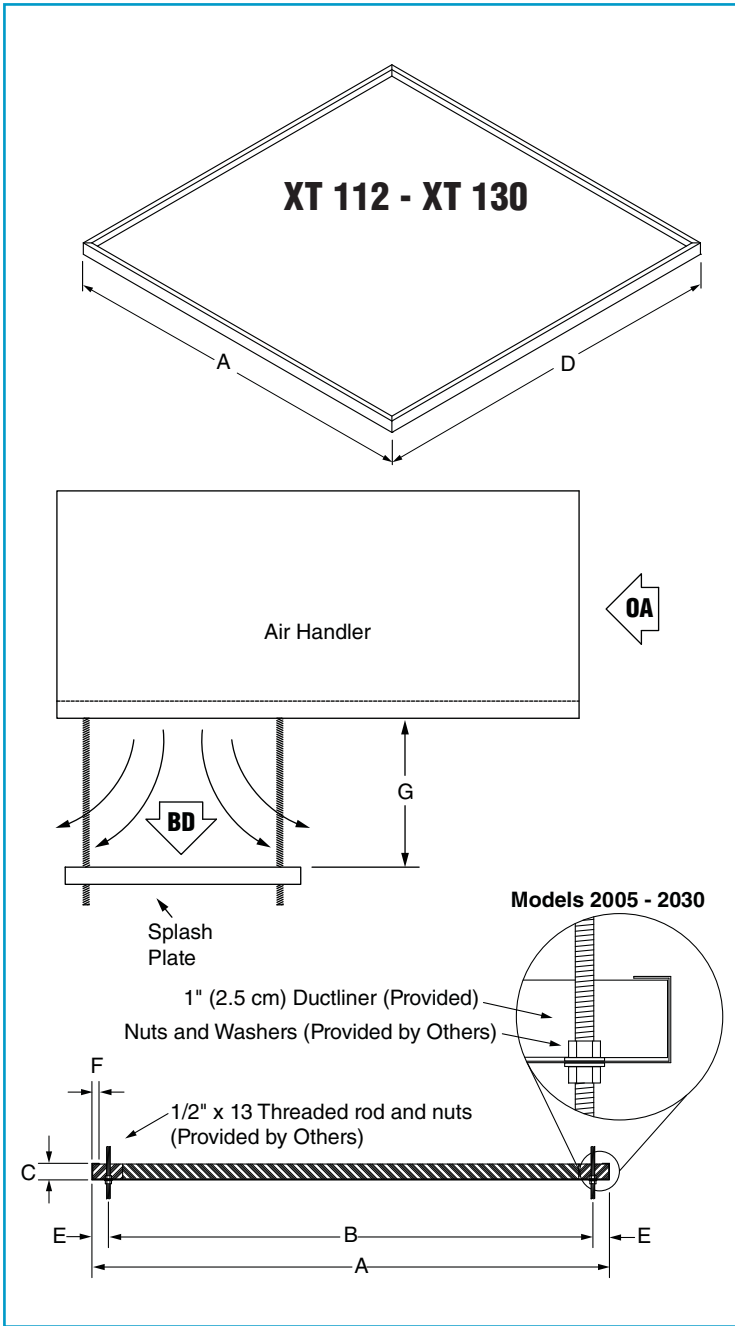


## IMPORTANT NOTES:

- Inlet hood also available with screen mesh, no filters. Weight equals filtered variation. Screen location varies by model.
- Inlet hood is shipped unassembled.

| DIMENSIONS        |              |               |              |             |               |               |             |               |               |              | PERMANENT ALUMINUM MESH FILTERS |  | WEIGHT    |       | MOISTURE LIMITER |                                      | WEIGHT |       |       |
|-------------------|--------------|---------------|--------------|-------------|---------------|---------------|-------------|---------------|---------------|--------------|---------------------------------|--|-----------|-------|------------------|--------------------------------------|--------|-------|-------|
| Model             |              | A             | B            | C           | D             | E             | F           | G             | H             | J            | K                               | Size   | Qty       | lbs   | kg               | Size                                 | Qty    | lbs   | kg    |
| XT 112            | (in)<br>(cm) | 37.2<br>94.5  | 38.4<br>97.5 | 1.2<br>3.0  | 26.4<br>67.1  | 27.3<br>69.3  | 7.3<br>18.5 | 0.9<br>2.3    | 29.2<br>74.2  | 25.0<br>63.5 | 2.1<br>5.3                      | 20 x 25 x 2  | 2         | 60.0  | 27.2             | N/A                                  | N/A    | N/A   | N/A   |
| XT 115/<br>XT 118 | (in)<br>(cm) | 56.4<br>143.2 | 1.5<br>3.8   | 4.3<br>10.9 | 29.0<br>73.7  | 31.9<br>81.0  | 1.4<br>3.6  | 43.0<br>109.0 | 38.8<br>98.6  | 2.0<br>5.1   | 1.1<br>2.8                      | 50.8 x 63.5 x 5.1  | 6         | 110.0 | 49.9             | 12 x 60 x 5.5<br>30.5 x 152.4 x 14.0 | 3      | 120.0 | 54.4  |
| XT 125            | (in)<br>(cm) | 89.3<br>226.8 | 1.3<br>3.3   | 5.0<br>12.7 | 52.8<br>134.1 | 55.3<br>140.5 | 1.3<br>3.3  | 52.1<br>132.3 | 49.7<br>126.2 | 1.2<br>3.0   | 1.1<br>2.8                      | 20 x 25 x 1<br>50.8 x 63.5 x 2.5   | 10        | 190.0 | 86.2             | 12 x 96 x 5.5<br>30.5 x 243.8 x 14.0 | 4      | 210.0 | 95.3  |
| XT 130            | (in)<br>(cm) | 86.9<br>220.7 | 1.3<br>3.3   | 4.7<br>11.9 | 56.8<br>144.3 | 59.3<br>150.6 | 1.3<br>3.3  | 66.8<br>169.7 | 64.1<br>162.8 | 1.3<br>3.3   | 1.1<br>2.8                      | 20 x 20 x 1 &<br>20 x 25 x 1<br>50.8 x 50.8 x 2.5 &<br>50.8 x 63.5 x 2.5 | 10<br>& 5 | 240.0 | 108.9            | 12 x 96 x 5.5<br>30.5 x 243.8 x 14.0 | 5      | 260.0 | 117.9 |

# Splash Plates

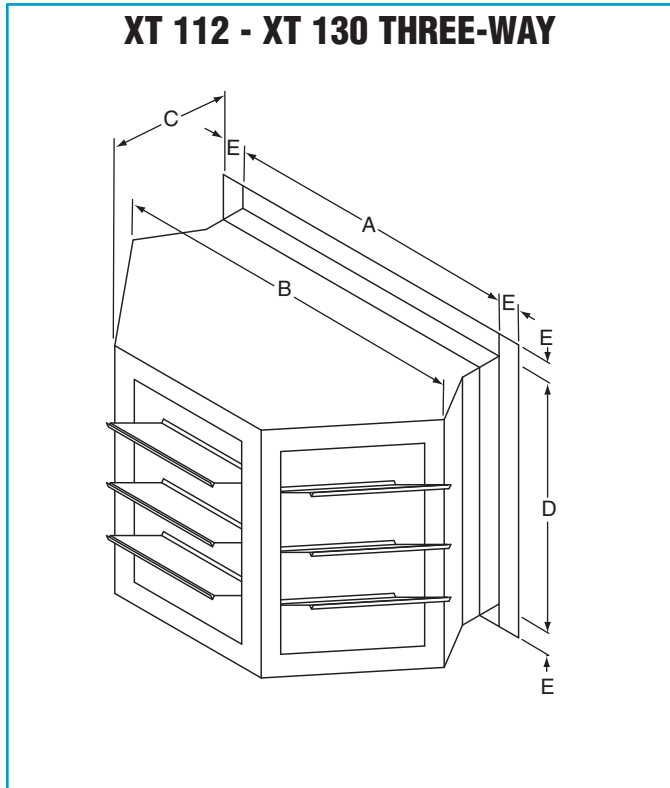


## IMPORTANT NOTES:

- XT 112 - XT 130 require four threaded rods.

|                   |      | DIMENSIONS |       |     |       |     |     |         |         | WEIGHT |      |      |
|-------------------|------|------------|-------|-----|-------|-----|-----|---------|---------|--------|------|------|
| Model             |      | A          | B     | C   | D     | E   | F   | G (min) | G (max) | H      | lbs  | kg   |
| XT 112            | (in) | 22.0       | 19.5  | 0.9 | 25.0  | 1.3 | 0.6 | 15.0    | 20.0    | N/A    | 20.0 | 9.1  |
|                   | (cm) | 55.9       | 49.5  | 2.2 | 63.5  | 3.2 | 1.6 | 38.1    | 50.8    |        |      |      |
| XT 115/<br>XT 118 | (in) | 44.0       | 41.5  | 0.9 | 44.0  | 1.3 | 0.6 | 18.0    | 27.0    | N/A    | 40.0 | 18.1 |
|                   | (cm) | 111.8      | 105.4 | 2.2 | 111.8 | 3.2 | 1.6 | 47.5    | 68.6    |        |      |      |
| XT 125            | (in) | 54.8       | 51.3  | 1.8 | 54.8  | 1.8 | 0.8 | 25.0    | 38.0    | N/A    | 60.0 | 27.2 |
|                   | (cm) | 139.1      | 130.2 | 4.4 | 139.1 | 4.4 | 2.0 | 63.5    | 96.5    |        |      |      |
| XT 130            | (in) | 54.8       | 51.3  | 1.8 | 54.8  | 1.8 | 0.8 | 30.0    | 45.0    | N/A    | 60.0 | 27.2 |
|                   | (cm) | 139.1      | 130.2 | 4.4 | 139.1 | 4.4 | 2.0 | 76.2    | 114.3   |        |      |      |

# Discharge Heads



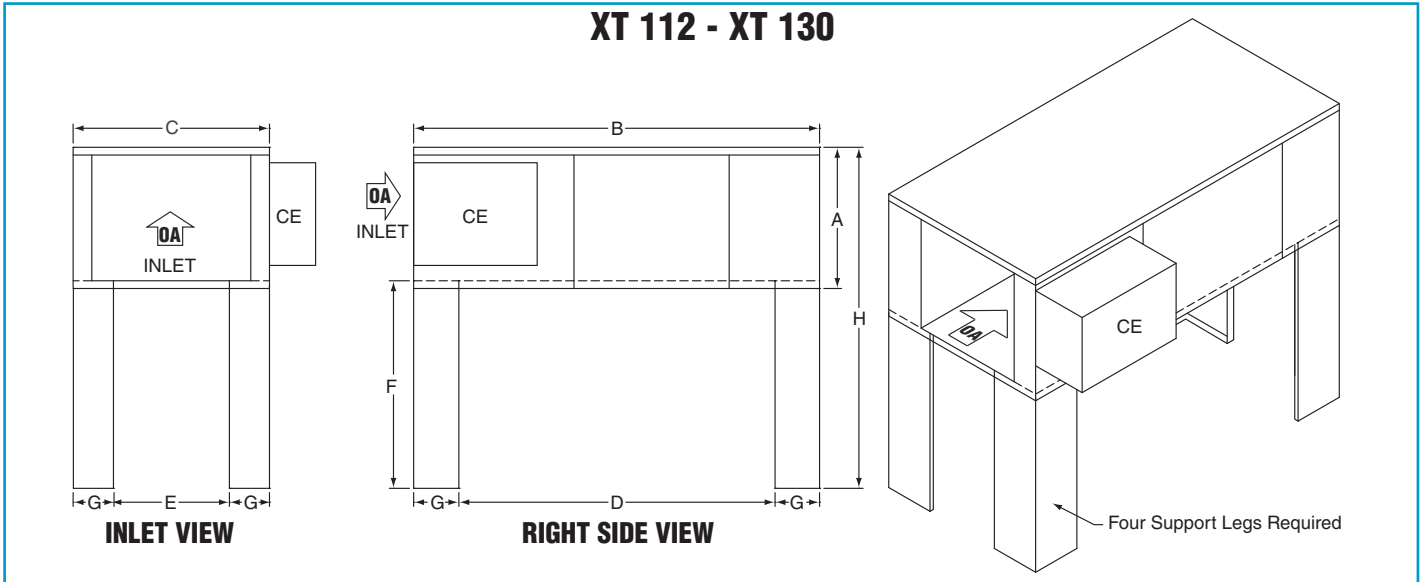
|                   |      | DIMENSIONS |       |      |      |     | WEIGHT |      |
|-------------------|------|------------|-------|------|------|-----|--------|------|
| Model             |      | A          | B     | C    | D    | E   | lbs    | kg   |
| XT 112            | (in) | 19.0       | 40.8  | 23.8 | 21.0 | 2.0 | 50.0   | 22.7 |
|                   | (cm) | 48.3       | 103.5 | 60.3 | 53.3 | 5.1 |        |      |
| XT 115/<br>XT 118 | (in) | 22.4       | 40.8  | 24.0 | 19.4 | 2.0 | 80.0   | 36.3 |
|                   | (cm) | 56.9       | 103.5 | 61.0 | 49.3 | 5.1 |        |      |
| XT 125            | (in) | 31.9       | 43.3  | 21.5 | 33.9 | 2.0 | 120.0  | 54.4 |
|                   | (cm) | 81.0       | 109.9 | 54.6 | 86.1 | 5.1 |        |      |
| XT 130            | (in) | 36.9       | 48.3  | 22.5 | 36.9 | 2.0 | 160.0  | 72.6 |
|                   | (cm) | 93.7       | 122.6 | 57.2 | 93.7 | 5.1 |        |      |

## IMPORTANT NOTES:

- Discharge head must be field supported by others.
- Discharge head has manually adjustable horizontal blades.



XT 112 - XT 130

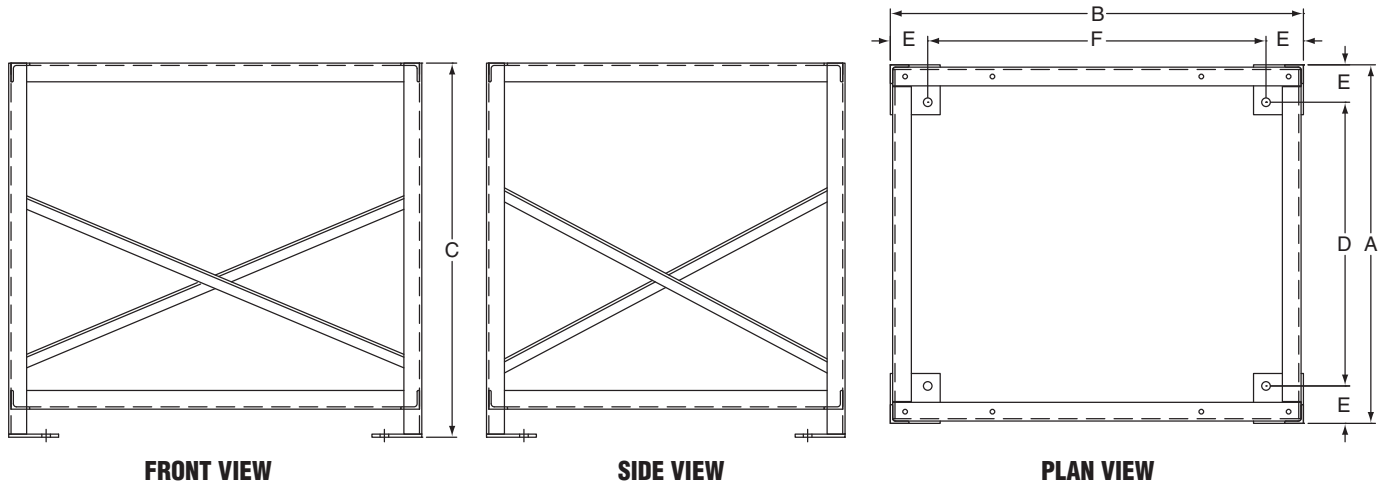


| DIMENSIONS           |      |       |       |       |       |      |       |      |       | WEIGHT (EACH LEG) |      |
|----------------------|------|-------|-------|-------|-------|------|-------|------|-------|-------------------|------|
| Model                |      | A     | B     | C     | D     | E    | F     | G    | H     | lbs               | kg   |
| XT 112<br>(See Note) | (in) | 28.3  | 60.3  | 32.3  | 31.1  | 3.1  | 46.0  | 14.6 | 72.5  | 26.0              | 11.8 |
|                      | (cm) | 71.9  | 153.2 | 82.0  | 79.0  | 7.9  | 116.8 | 37.1 | 184.2 |                   |      |
| XT 115/XT 118        | (in) | 32.7  | 92.3  | 44.2  | 63.1  | 15.0 | 46.0  | 14.6 | 77.2  | 26.0              | 11.8 |
|                      | (cm) | 83.1  | 234.4 | 112.3 | 160.3 | 38.1 | 116.8 | 37.1 | 196.1 |                   |      |
| XT 125               | (in) | 56.1  | 116.1 | 56.0  | 86.9  | 26.8 | 46.0  | 14.6 | 100.1 | 26.0              | 11.8 |
|                      | (cm) | 142.5 | 294.9 | 142.2 | 220.7 | 68.1 | 116.8 | 37.1 | 254.3 |                   |      |
| XT 130               | (in) | 60.1  | 116.1 | 68.0  | 96.9  | 38.8 | 46.0  | 14.6 | 104.1 | 26.0              | 11.8 |
|                      | (cm) | 152.7 | 294.9 | 172.7 | 220.7 | 98.6 | 116.8 | 37.1 | 264.4 |                   |      |

**IMPORTANT NOTES:**

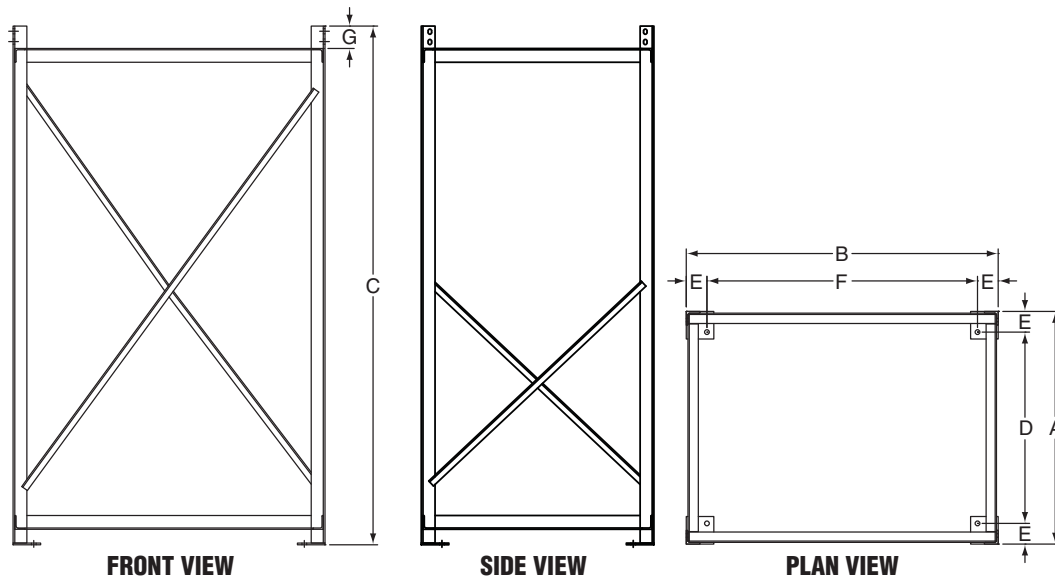
- XT 112 control enclosure is located on left side of air handler when looking downstream into inlet end.

## XT 112 30" STAND



| DIMENSIONS |      |      |      |      |      |     |      | WEIGHT |      |
|------------|------|------|------|------|------|-----|------|--------|------|
| Model      |      | A    | B    | C    | D    | E   | F    | lbs    | kg   |
| XT 112     | (in) | 28.8 | 33.1 | 30.0 | 22.8 | 3.0 | 27.1 | 75.0   | 34.0 |
|            | (cm) | 73.0 | 84.1 | 76.2 | 57.8 | 7.6 | 68.9 |        |      |

## XT 115 - XT 130 53"/72" STAND

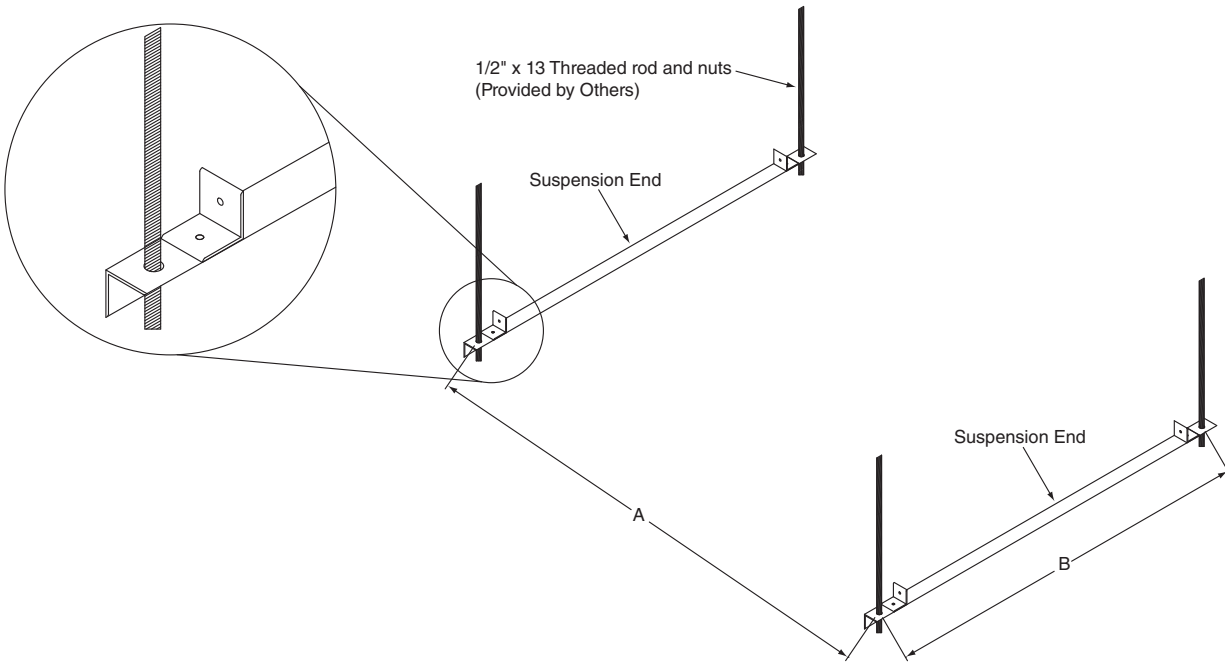


| DIMENSIONS          |      |       |       |       |       |     |       |     | WEIGHT |       |
|---------------------|------|-------|-------|-------|-------|-----|-------|-----|--------|-------|
| Model               |      | A     | B     | C     | D     | E   | F     | G   | lbs    | kg    |
| XT 115/XT 118 (53") | (in) | 33.8  | 45.3  | 56.3  | 27.8  | 3.0 | 39.3  | 3.3 | 160.0  | 72.6  |
|                     | (cm) | 85.7  | 114.9 | 142.9 | 70.5  | 7.6 | 99.7  | 8.3 |        |       |
| XT 115/XT 118 (72") | (in) | 33.8  | 45.3  | 75.3  | 27.8  | 3.0 | 32.5  | 3.3 | 190.0  | 86.2  |
|                     | (cm) | 85.7  | 114.9 | 191.1 | 70.5  | 7.6 | 82.6  | 8.3 |        |       |
| XT 125              | (in) | 57.5  | 57.5  | 75.3  | 51.1  | 3.0 | 51.5  | 3.3 | 230.0  | 104.3 |
|                     | (cm) | 146.1 | 146.1 | 191.1 | 129.8 | 7.6 | 130.8 | 8.3 |        |       |
| XT 130              | (in) | 69.5  | 61.8  | 75.3  | 63.5  | 3.0 | 55.8  | 3.3 | 300.0  | 136.1 |
|                     | (cm) | 176.5 | 156.8 | 191.1 | 161.3 | 7.6 | 141.6 | 8.3 |        |       |

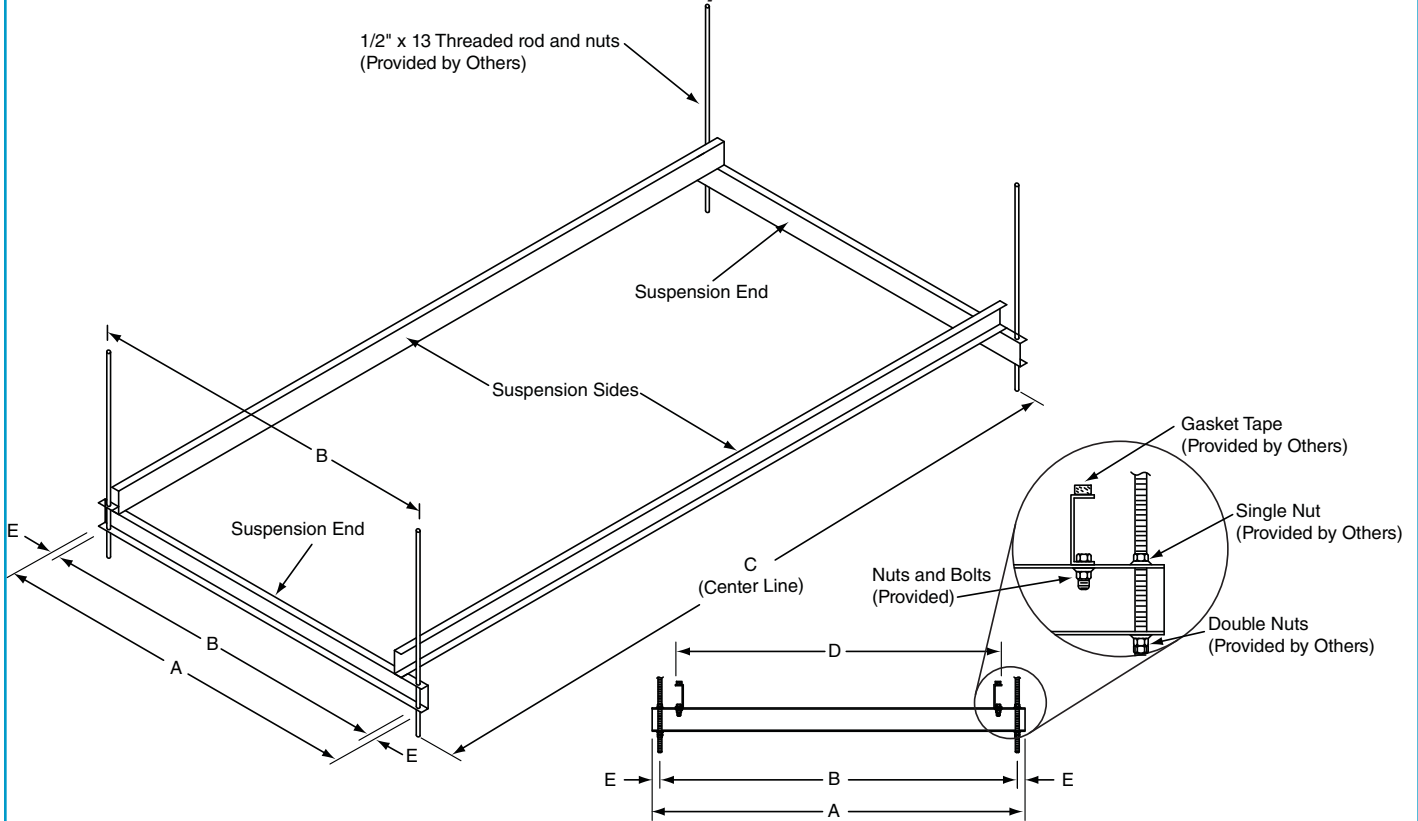
### IMPORTANT NOTES:

- 1/4" angle iron construction.

## XT 112



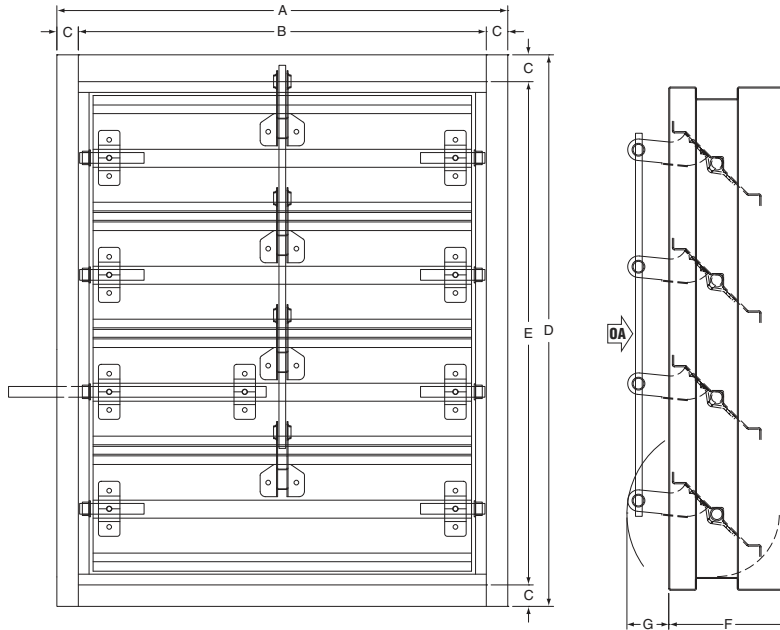
## XT 115/XT 118



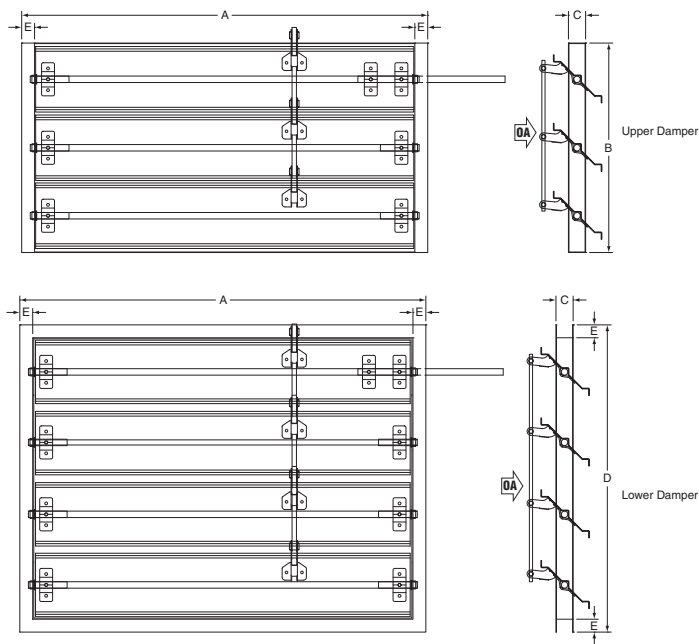
| DIMENSIONS    |              |               |               |               |               |            | WEIGHT |      |
|---------------|--------------|---------------|---------------|---------------|---------------|------------|--------|------|
| Model         |              | A             | B             | C             | D             | E          | lbs    | kg   |
| XT 112        | (in)<br>(cm) | 59.3<br>73.0  | 36.5<br>84.1  | N/A           | N/A           | N/A        | 13.0   | 5.9  |
| XT 115/XT 118 | (in)<br>(cm) | 48.0<br>121.9 | 46.0<br>116.8 | 90.0<br>228.6 | 42.0<br>106.7 | 1.0<br>2.5 | 140.0  | 63.5 |

# Inlet Dampers

## XT 112 - XT 118



## XT 125/XT 130

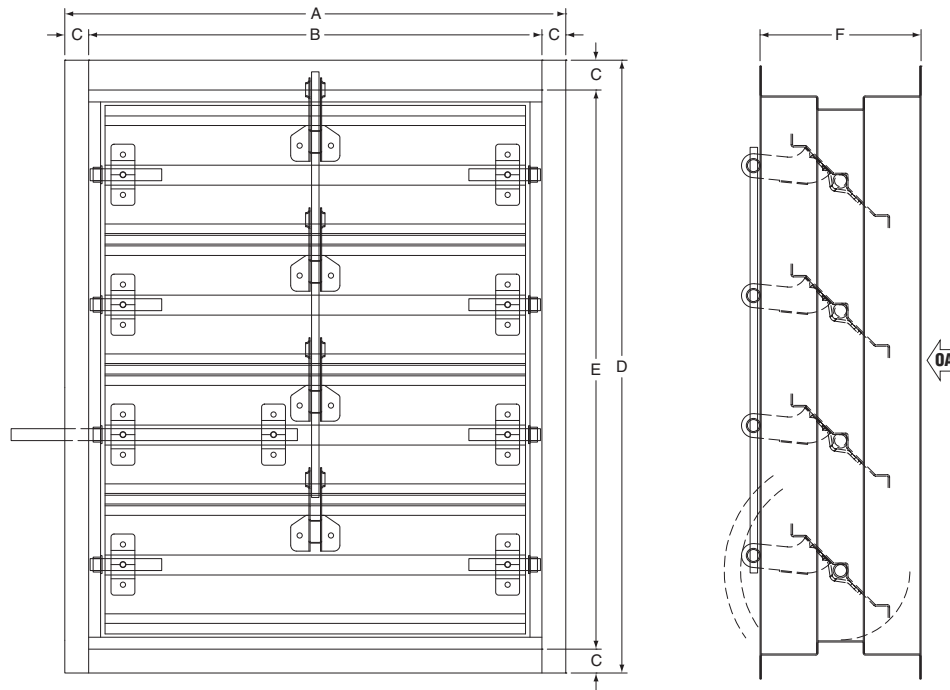


| Model  | Damper | Weight* |      |
|--------|--------|---------|------|
|        |        | lbs     | kg   |
| XT 125 | UPPER  | 34.0    | 15.4 |
|        | LOWER  | 41.0    | 18.6 |
| XT 130 | UPPER  | 46.0    | 20.9 |
|        | LOWER  | 61.0    | 27.7 |

| DIMENSIONS        |      |       |      |     |      |      |      |     | WEIGHT |      |
|-------------------|------|-------|------|-----|------|------|------|-----|--------|------|
| Model             |      | A     | B    | C   | D    | E    | F    | G   | lbs    | kg   |
| XT 112            | (in) | 21.0  | 19.0 | 1.3 | 25.7 | 23.4 | 5.0  | 3.3 | 40.0   | 18.1 |
|                   | (cm) | 53.3  | 48.3 | 3.3 | 65.2 | 59.5 | 12.7 | 8.3 |        |      |
| XT 115/<br>XT 118 | (in) | 33.3  | 30.8 | 1.3 | 29.0 | 26.3 | 5.0  | 3.3 | 60.0   | 27.2 |
|                   | (cm) | 84.5  | 78.1 | 3.2 | 73.7 | 66.7 | 12.7 | 8.3 |        |      |
| XT 125            | (in) | 47.3  | 24.4 | 2.0 | 29.5 | 1.5  | N/A  | N/A | *      | *    |
|                   | (cm) | 120.0 | 63.0 | 5.1 | 74.9 | 3.8  |      |     |        |      |
| XT 130            | (in) | 59.3  | 24.4 | 2.0 | 33.5 | 1.5  | N/A  | N/A | *      | *    |
|                   | (cm) | 150.6 | 63.0 | 5.1 | 85.1 | 3.8  |      |     |        |      |

\*Refer to chart above for XT 125 and XT 130 weights.

## XT 112 - XT 130

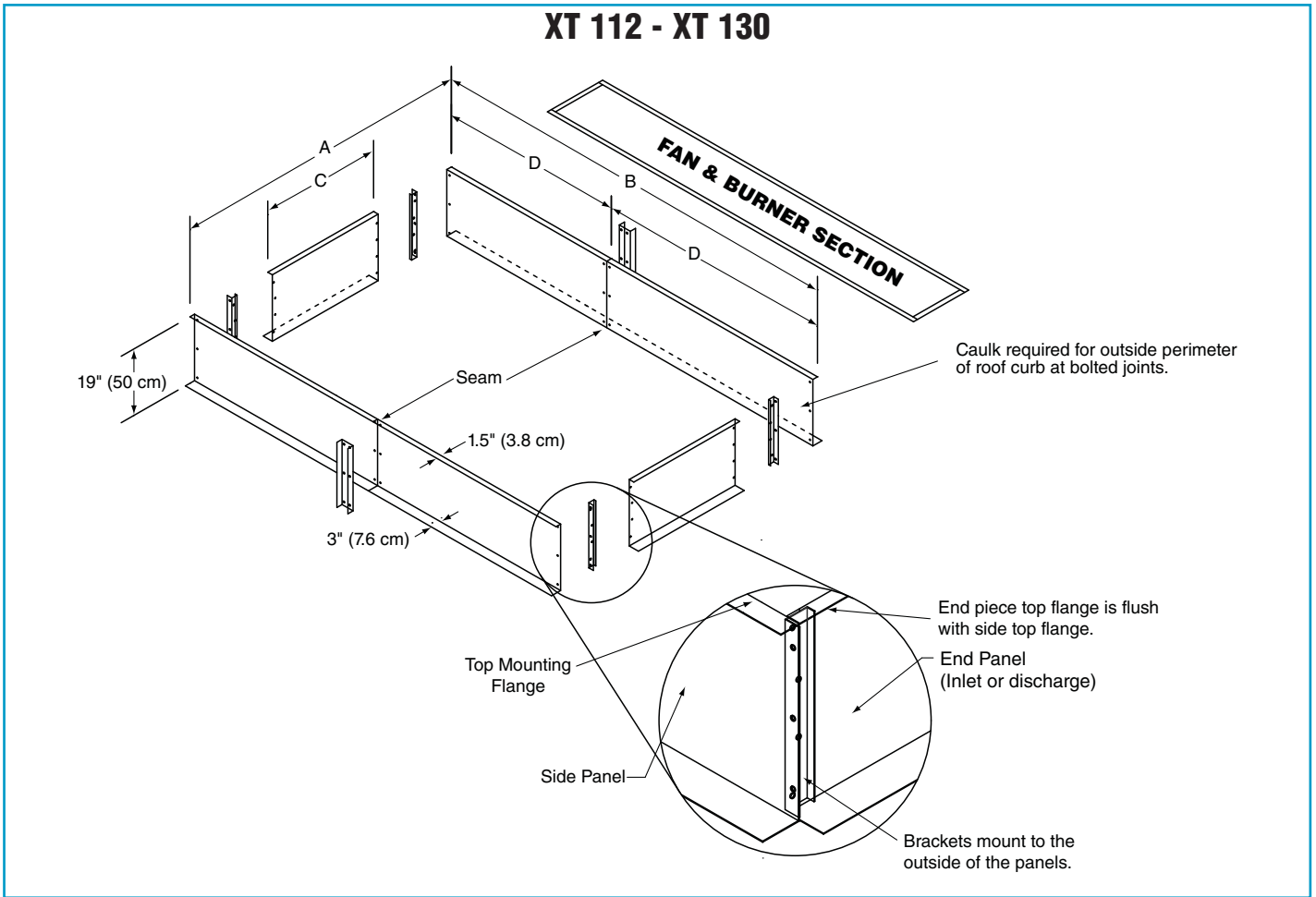


| DIMENSIONS        |      |       |      |     |       |      |      | WEIGHT |      |
|-------------------|------|-------|------|-----|-------|------|------|--------|------|
| Model             |      | A     | B    | C   | D     | E    | F    | lbs    | kg   |
| XT 112            | (in) | 21.0  | 19.0 | 1.0 | 19.0  | 17.0 | 9.0  | 40.0   | 18.1 |
|                   | (cm) | 53.3  | 48.3 | 2.5 | 48.3  | 43.2 | 22.9 |        |      |
| XT 115/<br>XT 118 | (in) | 27.0  | 25.0 | 1.0 | 23.5  | 21.5 | 8.0  | 60.0   | 27.2 |
|                   | (cm) | 68.6  | 63.5 | 2.5 | 59.7  | 54.6 | 20.3 |        |      |
| XT 125            | (in) | 37.0  | 34.0 | 1.5 | 36.0  | 33.0 | 10.0 | 100.0  | 45.4 |
|                   | (cm) | 94.0  | 86.4 | 3.8 | 42.0  | 83.8 | 25.4 |        |      |
| XT 130            | (in) | 42.0  | 39.0 | 1.5 | 42.0  | 39.0 | 10.0 | 150.0  | 68.0 |
|                   | (cm) | 106.7 | 99.1 | 3.8 | 106.7 | 99.1 | 25.4 |        |      |

### IMPORTANT NOTES:

- Number of louvers will vary by model.
- Inlet dampers are mounted upstream of air handler, directly to air handler.
- Inlet dampers also available to ship loose.
- Inlet dampers for MUA style use both upper and lower dampers for XT 125 and XT 130.
- Inlet dampers for FR, AM and VAV styles only use upper damper for XT 125 and XT 130.
- Discharge dampers do not mount directly to air handler; they mount downstream of air handler in ductwork.

# Roof Curbs



|               |              | DIMENSIONS    |                |               |               | WEIGHT |      |
|---------------|--------------|---------------|----------------|---------------|---------------|--------|------|
| Model         |              | A             | B              | C             | D             | lbs    | kg   |
| XT 112        | (in)<br>(cm) | 27.0<br>68.6  | 57.5<br>146.1  | 23.8<br>60.5  | N/A           | 75.0   | 34.0 |
| XT 115/XT 118 | (in)<br>(cm) | 42.0<br>106.7 | 88.0<br>223.5  | 38.8<br>98.6  | N/A           | 110.0  | 49.9 |
| XT 125        | (in)<br>(cm) | 53.0<br>134.6 | 113.0<br>287.0 | 49.8<br>126.5 | 56.5<br>143.5 | 150.0  | 68.0 |
| XT 130        | (in)<br>(cm) | 65.0<br>165.1 | 113.0<br>287.0 | 61.8<br>157.0 | 56.5<br>143.5 | 160.0  | 72.6 |

## IMPORTANT NOTES:

- Curb is shipped unassembled.
- All dimensions are from the outside.
- Curb material is 16 gauge galvanized steel.
- Nuts and bolts (3/8" x 1") are furnished.
- Caulk all joints before assembling. (Caulk provided by others).
- XT 125 and XT 130 have seam in roof curb.
- When measuring dimensions A and B, include top mounting flange width on both sides.

# XT-Series Selection Guide

| Airflow<br>CFM (m <sup>3</sup> /h) | Model  | Motor HP at Noted<br>External Static<br>Pressure<br>(in wc) |      |      |      |      | dBA at Noted<br>External<br>Static Pressure<br>(in wc)** |      |      | Heat Output<br>at Maximum<br>Temperature Rise<br>(Btu/h) X 1000 |       | Minimum<br>Inlet Gas<br>Pressure<br>in wc<br>(mbar)*** | Manifold<br>Size<br>in NPT<br>(mm) |
|------------------------------------|--------|---|------|------|------|------|--|------|------|---|-------|--|------------------------------------|
|                                    |        | 0   | 0.25 | 0.50 | 0.75 | 1.00 | 0  | 0.50 | 1.00 | NG  | LPG   |  |                                    |
| 1,000 (1,700)                      | XT 112 | 2   | 2    | 2    | 2    | 2    | 62   | 66   | 70   | 97  | 76    | 7 (17.5)   | 0.75 (19)                          |
| 2,000 (3,400)                      | XT 112 | 2   | 2    | 2    | 2    | 2    | 60   | 66   | 70   | 194   | 151   | 7 (17.5)   | 0.75 (19)                          |
| 3,000 (5,100)                      | XT 112 | 3   | 3    | 3    | 3    | 3    | 60   | 65   | 70   | 292   | 227   | 7 (17.5)   | 0.75 (19)                          |
| 4,000 (6,800)                      | XT 112 | 3   | 3    | 3    | 3    | 3    | 62   | 65   | 70   | 389*  | 302   | 7 (17.5)   | 0.75 (19)                          |
| 4,000 (6,800)                      | XT 115 | 3   | 3    | 3    | 3    | 3    | 59   | 65   | 69   | 432   | 346   | 7 (17.5)   | 1.0 (25)                           |
| 5,000 (8,500)                      | XT 115 | 3   | 3    | 3    | 3    | 3    | 58   | 63   | 68   | 540   | 432   | 7 (17.5)   | 1.0 (25)                           |
| 6,000 (10,200)                     | XT 115 | 5   | 5    | 5    | 5    | 5    | 58   | 62   | 67   | 648   | 518   | 7 (17.5)   | 1.0 (25)                           |
| 7,000 (11,900)                     | XT 115 | 5   | 5    | 5    | 5    | 5    | 59   | 62   | 66   | 756   | 605   | 7 (17.5)   | 1.0 (25)                           |
| 8,000 (13,600)                     | XT 115 | 5   | 5    | 5    | 5    | 5    | 60   | 63   | 66   | 800*  | 691   | 7 (17.5)   | 1.0 (25)                           |
| 9,000 (15,300)                     | XT 115 | 7.5   | 7.5  | 7.5  | 7.5  | 7.5  | 61   | 64   | 67   | 800*  | 778   | 7 (17.5)   | 1.0 (25)                           |
| 10,000 (17,000)                    | XT 115 | 7.5   | 7.5  | 7.5  | 7.5  | 7.5  | 62   | 65   | 68   | 800*  | 800   | 7 (17.5)   | 1.0 (25)                           |
| 7,000 (11,900)                     | XT 118 | 5   | 5    | 5    | 5    | 5    | 59   | 62   | 66   | 756   | 605   | 7 (17.5)   | 1.25 (32)                          |
| 8,000 (13,600)                     | XT 118 | 5   | 5    | 5    | 5    | 5    | 60   | 63   | 66   | 864   | 691   | 7 (17.5)   | 1.25 (32)                          |
| 9,000 (15,300)                     | XT 118 | 7.5   | 7.5  | 7.5  | 7.5  | 7.5  | 61   | 64   | 67   | 972   | 778   | 7 (17.5)   | 1.25 (32)                          |
| 10,000 (17,000)                    | XT 118 | 7.5   | 7.5  | 7.5  | 7.5  | 7.5  | 62   | 65   | 68   | 1,080   | 864   | 7 (17.5)   | 1.25 (32)                          |
| 11,000 (18,700)                    | XT 118 | 10  | 10   | 10   | 10   | 10   | 64   | 66   | 68   | 1,188   | 950   | 7 (17.5)   | 1.25 (32)                          |
| 12,000 (20,400)                    | XT 118 | 10  | 10   | 10   | 10   | 10   | 66   | 68   | 69   | 1,296   | 1,037 | 7 (17.5)   | 1.25 (32)                          |
| 13,000 (22,100)                    | XT 118 | 10  | 10   | 10   | 10   | 15   | 67   | 69   | CF   | 1,404   | 1,123 | 7 (17.5)   | 1.25 (32)                          |
| 14,000 (23,800)                    | XT 118 | 10  | 10   | 15   | 15   | 15   | 69   | CF   | CF   | 1,512   | 1,210 | 7 (17.5)   | 1.25 (32)                          |
| 12,000 (20,400)                    | XT 125 | 7.5   | 7.5  | 7.5  | 7.5  | 7.5  | 66   | 70   | 73   | 1,296   | 1,037 | 9 (22.5)   | 1.5 (38)                           |
| 14,000 (23,800)                    | XT 125 | 10  | 10   | 10   | 10   | 10   | 69   | 70   | 73   | 1,512   | 1,210 | 9 (22.5)   | 1.5 (38)                           |
| 16,000 (27,200)                    | XT 125 | 10  | 10   | 10   | 10   | 10   | 70   | 72   | 76   | 1,728   | 1,382 | 9 (22.5)   | 1.5 (38)                           |
| 18,000 (30,600)                    | XT 125 | 15  | 15   | 15   | 15   | 15   | 70   | 74   | 77   | 1,944   | 1,555 | 9 (22.5)   | 1.5 (38)                           |
| 20,000 (34,000)                    | XT 125 | 15  | 15   | 15   | 15   | 15   | 70   | 74   | 77   | 2,160   | 1,728 | 9 (22.5)   | 1.5 (38)                           |
| 22,000 (37,400)                    | XT 125 | 20  | 20   | 20   | 20   | 20   | 71   | 74   | 77   | 2,376   | 1,901 | 9 (22.5)   | 1.5 (38)                           |
| 25,000 (42,500)                    | XT 125 | 20  | 20   | 20   | 20   | 20   | 72   | 75   | 77   | 2,700   | 2,160 | 9 (22.5)   | 1.5 (38)                           |
| 25,000 (42,500)                    | XT 130 | 15  | 15   | 15   | 15   | 15   | 70   | 72   | 74   | 2,700   | 2,160 | 11 (27.5)  | 2.0 (51)                           |
| 27,500 (46,700)                    | XT 130 | 15  | 15   | 15   | 15   | 15   | 71   | 73   | 75   | 2,970   | 2,376 | 11 (27.5)  | 2.0 (51)                           |
| 30,000 (51,000)                    | XT 130 | 20  | 20   | 20   | 25   | 25   | 73   | 75   | 76   | 3,240   | 2,592 | 11 (27.5)  | 2.0 (51)                           |
| 32,500 (55,200)                    | XT 130 | 20  | 20   | 20   | 20   | 25   | 75   | 76   | 77   | 3,510   | 2,808 | 11 (27.5)  | 2.0 (51)                           |
| 35,000 (59,500)                    | XT 130 | 20  | 25   | 25   | 25   | 25   | 77   | 77   | 79   | 3,780   | 3,024 | 11 (27.5)  | 2.0 (51)                           |
| 37,500 (63,700)                    | XT 130 | 25  | 25   | 30   | 30   | 30   | 78   | 79   | 79   | 4,050*  | 3,240 | 11 (27.5)  | 2.0 (51)                           |
| 40,000 (68,000)                    | XT 130 | 30  | 30   | 30   | CF   | CF   | 80   | CF   | CF   | 4,320*  | 3,456 | 11 (27.5)  | 2.0 (51)                           |

## IMPORTANT NOTES:

All information provided in this table is based on the assumption that unit is installed at an altitude below 2000 feet (609.6 meters).

CF = Consult Factory

\*Temperature rise at this CFM is less than maximum temperature rise. Heat output is based on heater operation in 100% outside air mode.

\*\* dBA is measured at 10' (3 m) from unducted discharge.

\*\*\* Maximum Inlet Gas Pressure: ANSI - Compliant Manifold = 14 in wc (34.9 mbar)  
FM and XL Compliant Manifold = 5 psi (344.7 mbar)

#### **Installation Code and Annual Inspections:**

All installation and service of WEATHER-RITE™ equipment must be performed by a contractor qualified in the installation and service of equipment sold and supplied by Weather-Rite LLC and conform to all requirements set forth in the WEATHER-RITE™ manuals and all applicable governmental authorities pertaining to the installation, service, operation and labeling of the equipment. To help facilitate optimum performance and safety, Weather-Rite LLC recommends that a qualified contractor conduct, at a minimum, annual inspections of your WEATHER-RITE™ equipment and perform service where necessary, using only replacement parts sold and supplied by Weather-Rite LLC.

**Further Information:** Applications, engineering and detailed guidance on systems design, installation and equipment performance is available through WEATHER-RITE™ representatives. Please contact us for any further information you may require, including the Installation, Operation and Service Manual.

**This product are not for residential use.**

**This document is intended to assist licensed professionals in the exercise of their professional judgment.**

#### **Weather-Rite LLC**

616 North 5th Street  
Minneapolis, MN 55401  
Telephone: +1.612.338.1401  
Fax: +1.612.338.6783  
Toll Free: 1.800.589.3691

[www.weather-rite.com](http://www.weather-rite.com)

© 2016 Weather-Rite LLC

*All rights reserved. No part of this work covered by the copyrights herein may be reproduced or copied in any form or by any means – graphic, electronic, or mechanical, including photocopying, recording, taping, or information storage and retrieval systems without written permission of Weather-Rite LLC.*