

Weather-Rite LLC

A Leader in Air Management for the Paint Booth Industry

*Air handling units utilizing
direct-fired, indirect-fired,
hot water or steam heat.*



Extensive experience in the paint booth industry



Applications

- Spray Booths
- Prep Stations
- Spray/Cure Booths
- General Heating
- Building Make-Up Air
- Process Heating

Markets

- Vehicle Finishing
 - Car
 - Truck
 - Bus
 - Military
- Manufacturing
 - Automotive
 - Cabinet
 - and More!
- Aerospace and Aviation

1.800.589.3691

www.weather-rite.com

WEATHER-RITE™ TT-Series

Direct-Fired Air Handling Units

Flexible

- Broad range of sizes and options
- Indoor or outdoor installation
- Horizontal or upright configurations
- Roof or stand mounting
- Natural or LP gas burners

Durable

- Rugged, welded 16 gauge construction
- Blower installed downstream of burner for convenient access

Energy-Efficient

- 100% of the available heat in the air stream

Reliable and Easy to Maintain

- Large panels provide easy access for servicing
- Motors and drives out of the air stream

Certified

- ETL listed

Additional Features

- FC- DWDI Class I Wheel
- Externally adjustable profile dampers
- Adjustable drives (up to 10 HP)
- Flame rod supervision
- Pressure differential airflow switch
- High temperature limit



Accessories

- V-Bank filter section
 - Permanent aluminum mesh
 - 30% pleated cotton/synthetic
 - 30% polyester flat panel
- Motorized inlet or discharge dampers
- Fresh air hood
- 16" or 24" roof curb
- Service platform
- Exhaust variable frequency drive
 - Pre-wired, programmed and tested
- UL listed main control panels
- FM or XL Insurance compliant gas trains

Model	TT112	TT115	TT118	TT212	TT215	TT218	TT221	TT224	TT230	TT233	TT236
CFM	1,600 - 4,000	2,250 - 6,000	5,000 - 10,000	3,600 - 8,000	5,000 - 12,000	9,000 - 20,000	10,000 - 30,000	25,000 - 45,000	30,000 - 60,000	40,000 - 75,000	50,000 - 85,000
Output [MBH]*	20 - 500	20 - 500	50 - 1,500	35 - 999	50 - 1,500	70 - 2,000	100 - 3,000	150 - 4,500	200 - 6,000	300 - 8,000	300 - 9,000

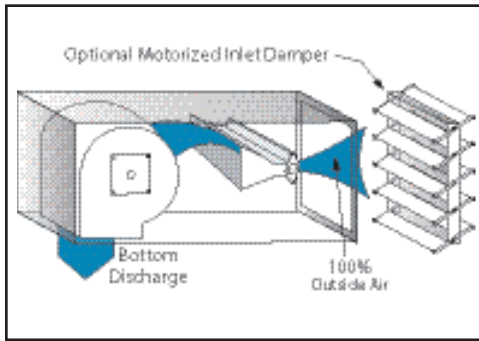
*1 MBH = 1,000 Btu/h

Remote Control Panels



Feature	WRP-1	WRP-3	WRP-5
NEMA 1 hinged control panel	X	X	X
Summer/off/winter switch	X	X	N/A
Four indicating lights (blower, burner, flame failure, exhaust fan)	X	X	N/A
Temperature set point and indicator	X	X	X
Booth on/off switch, fusing and contactor	X	X	X
Mechanical bake timer (0-60 minutes)	N/A	X	N/A
Booth balancing pot for exhaust fan VFD	N/A	N/A	X
Booth pressure gauge (Magnehelic®)	N/A	X	X
System on/off push buttons, cure push button and heat auto/on switch	N/A	N/A	X
8 system operation lights	N/A	N/A	X
Bake purge timer, digital bake timer and cool-down time	N/A	N/A	X
Spray gun interlock	X	X	X

Model Configurations



Constant Volume

Design:

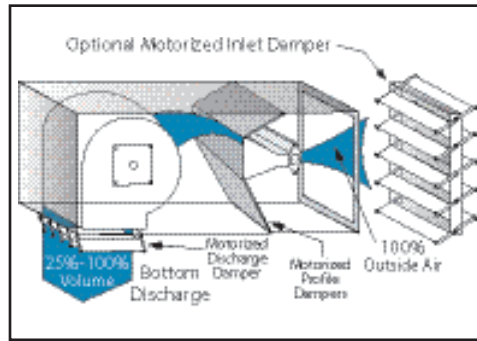
100% outdoor air during paint and bake cycles.
Fixed discharge air volume.

Function:

Provides fresh air to the booth.

Certified to:

ANSI Z83.4



Reduced Volume Bake Cycle

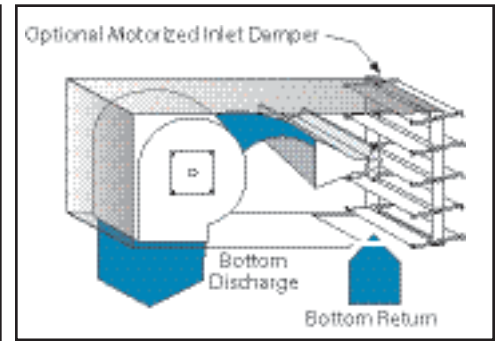
Design:

100% outdoor air during paint and bake cycles.
Discharge air volume reduces to 50% during bake cycle.

Function: Reduced airflow in the bake cycle helps reduce gas consumption.

Certified to:

ANSI Z83.4



90/10 Recirculation Bake Cycle

Design:

100% outdoor air during paint cycle.
Fixed 90% return air/10% outdoor air during bake cycle.

Function: Recirculates heated air for reduced gas consumption in the bake cycle.

Certified to:

ANSI Z83.18

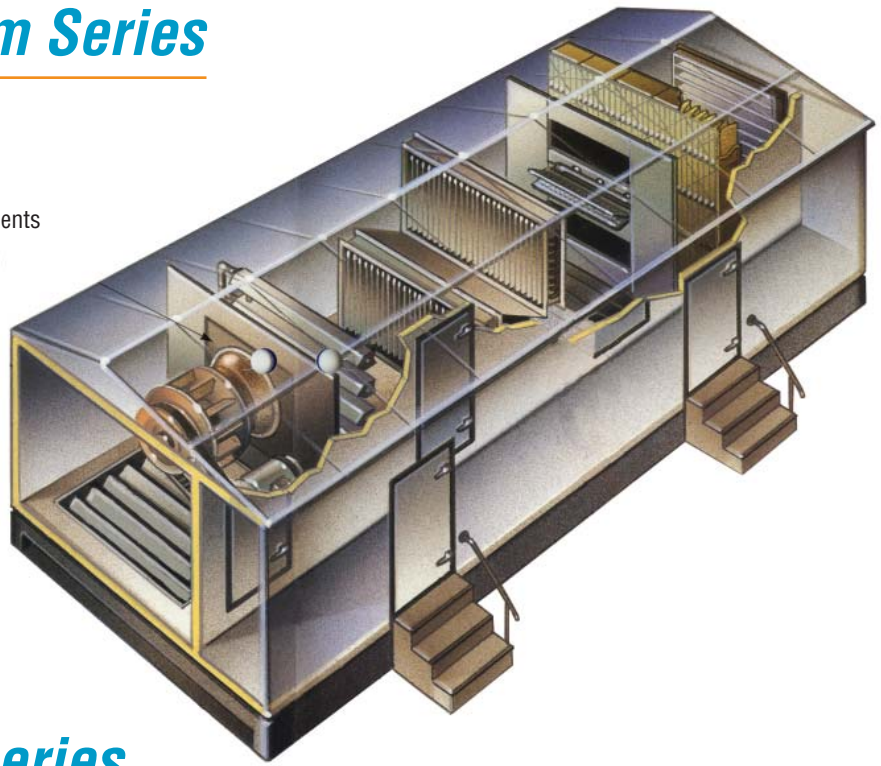
Typical Discharge Arrangements

Booth Ceiling Mounted - Bottom Discharge	Outside Roof Mounted - Bottom Discharge
Outside Pad Mounted - Horizontal Discharge	Inside Ceiling Suspended - End Discharge

WEATHER-RITE™ Custom Series

Customized Air Handling Units

- 3,000 to 100,000 CFM
- Custom-built to your needs
- 100% outdoor air or variable return air/outdoor air arrangements
- Multiple filtration options
- Direct-fired, indirect-fired, hot water, or steam heat
- Cooling and humidity control
- Energy recovery
- Direct digital control systems



WEATHER-RITE™ IDF-Series

Indirect-Fired Air Handling Units

- 3,000 to 57,000 CFM
- Upright or horizontal configurations
- Choice of outdoor air/return air arrangements
- All models ETL listed in United States and Canada



Installation Code and Annual Inspections:

All installation and service of WEATHER-RITE™ equipment must be performed by a contractor qualified in the installation and service of equipment sold and supplied by Weather-Rite LLC and conform to all requirements set forth in the WEATHER-RITE™ manuals and all applicable governmental authorities pertaining to the installation, service and operation of the equipment. To help facilitate optimum performance and safety, Weather-Rite LLC recommends that a qualified contractor conduct, at a minimum, annual inspections of your WEATHER-RITE™ equipment and perform service where necessary, using only replacement parts sold and supplied by Weather-Rite LLC.

Further Information: Applications, engineering and detailed guidance on systems design, installation and equipment performance is available through WEATHER-RITE™ representatives. Please contact us for any further information you may require, including the Installation, Operation and Service Manual.

There are references on this document to various trademarks. All trademarks mentioned herein, whether registered or not, are the property of their respective owners. RG is not sponsored by or affiliated with any of the trademark or registered trademark owners, and make no representations about them, their owners, their products or services. Roberts-Gordon LLC is not sponsored by or affiliated with Magnehelic®.

This product is not for residential use.

This document is intended to assist licensed professionals in the exercise of their professional judgment.

Weather-Rite LLC

616 North 5th Street
Minneapolis, MN 55401
Telephone: 612.338.1401
Fax: 612.338.6783

www.weather-rite.com

© 2009 Weather-Rite LLC All rights reserved. No part of this work covered by the copyrights herein may be reproduced or copied in any form or by any means – graphic, electronic, or mechanical, including photocopying, recording, taping, or information storage and retrieval systems without written permission of Weather-Rite LLC.