

Premium, Industrial-Grade Direct-Fired, Make-Up Air Units



TT-Series

- **Premium Industrial Grade Quality** - Heavy-duty unit construction. Base, cabinet frame and major wall panels welded together to form a strong, durable and rigid unibody cabinet.
- **Energy Saving Design** - Unique dual blower / single motor design can reduce blower motor electrical usage by up to 50%.
(TT212 – TT236 compared to single blower units)
- **Fuel Cost Savings** - Efficient, direct-fired burner design can deliver 100% of burner energy into heated space. Up to 30:1 burner turndown.
- **Low Profile Cabinet Design** - Lower, wider unit cabinet. Easier to hide behind roof parapet to help improve a building's visual appeal.
- **Maintenance Advantages** - Blower motor, belts, sheaves and bearings on outside of cabinet for ease of servicing or component replacement.
- **Indoor Air Quality** - Introduces fresh, outdoor air. Pressurization can help exhaust systems operate more efficiently.



1.800.589.3691
www.weather-rite.com

Intertek
Z83.4 100% OUTSIDE AIR (US & CANADA)
Z83.18 - RECIRCULATION (US)
Z83.25 - PROCESS HEATER (US AND CANADA)

WEATHER-RITE™ Industrial-Grade, Make-Up Air Units

WEATHER-RITE™ TT-Series energy efficient, direct-fired, make-up air units help provide heating, cooling, pressurization or ventilation for industrial applications.

Weather-Rite LLC has built its reputation on the TT-Series, its premium, industrial-grade, direct-fired air handlers. Designed for the rigors of industrial applications, WEATHER-RITE™ TT-Series air handlers incorporate heavy-duty construction and durable components.

Model	TT112	TT115	TT118	TT212	TT215	TT218	TT221	TT224	TT230	TT233	TT236	
CFM	1,600 - 4,000	2,250 - 6,000	5,000 - 10,000	3,600 - 8,000	5,000 - 12,000	9,000 - 20,000	10,000 - 30,000	25,000 - 45,000	30,000 - 60,000	40,000 - 75,000	50,000 - 85,000	
Output [MBH]*	NG	183 - 457	257 - 685	571 - 1,142	441 - 914	571 - 1,370	1,028 - 2,284	1,142 - 3,426	2,855 - 5,139	3,426 - 6,852	4,568 - 8,565	5,710 - 9,707
	LPG	137 - 343	193 - 514	428 - 857	308 - 685	428 - 1,028	771 - 1,713	857 - 2,570	2,141 - 3,854	2,570 - 5,139	3,426 - 6,424	4,283 - 7,280

*1 MBH = 1,000 btu/h. Output range indicates maximum temperature rise.

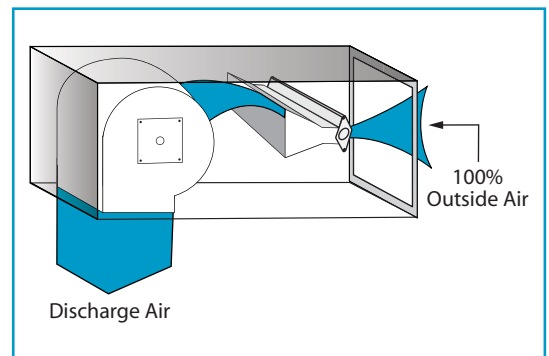
Model Styles

Make-Up Air (MUA)

Design: 100% outdoor air with a fixed discharge air volume.

Function: Supplies tempered replacement air for building mechanical exhaust at a fixed air flow rate.

Application: Used as make-up air for building to: introduce fresh outdoor air, pressurize the building, replace air from building exhaust and heat.

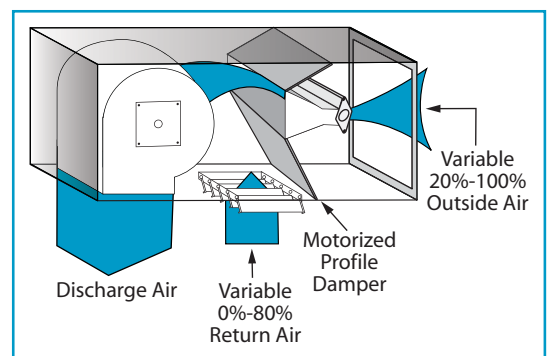


Air Management (AM)

Design: Variable outdoor air/return air ratio automatically adjusts within the range of 100% outdoor air/0% return air to 20% outdoor air/80% return air. Discharge air volume is fixed.

Function: Automatically responds to building pressure and temperature needs.

Application: Used in industrial and commercial buildings that have variable air quality, pressurization specific air management and temperature requirements.

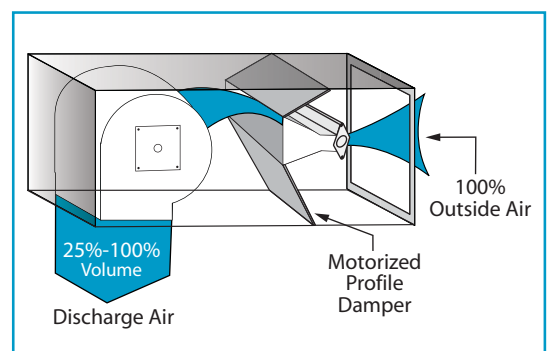


Variable Air Volume (VAV)

Design: 100% outdoor air with variable discharge air volume (via blower/motor VFD) from 25% to 100% of total air volume capacity.

Function: Automatically responds to varying building pressure needs.

Application: Used in buildings requiring varying levels of heated replacement air flow rates.



WEATHER-RITE™ TT-Series Features

Reliable, Efficient System Operation Provided by:

- Fully modulating burner that maintains 100% combustion efficiency. Up to 30:1 burner turndown
- Dual blowers on a common shaft (TT212 – TT236) powered by single motor, reducing electrical cost
- Double-width, double-inlet, forward-curved Class 1 blower wheel built for long life
- Energy-saving ignition system
- Electronic fuel modulation can provide immediate response
- Operation of fan only in warm weather to enjoy ventilation cooling
- Compliance to ETL per ANSI Z83.18, Z83.4 or Z83.25 standards

Ease of Maintenance Provided by:

- Blower motor, belts and bearings located on exterior of cabinet for ease of servicing and replacement
- Large access panels for easy maintenance of blower and burner
- Dual blowers on a common shaft (TT212 – TT236) powered by single motor reduce electrical cost
- All models incorporate a common shaft design, eliminating the need for center coupling, center shaft support and center bearings
- Troubleshooting indicator light system available (Watchman Analyzer)

Long Lasting Construction Provided by:

- Heavy-duty, welded steel unibody construction
- Multi-staged paint finish that includes unit washing, phosphatizing, priming and painting
- Heavy-duty, factory-installed motor and drive package designed for long-lasting performance
- Heavy-duty, lubricated bearings provide up to 100,000 hours of ABMA L-10 performance
- Motors and belts located outside hot airstream to minimize thermal wear



Other TT-Series Options:

- 16" (40.6 cm) or 24" (50.8 cm) roof curb simplifies rooftop mounting
- Inlet hood protects against water entrainment
- Filter section with 30% pleated, 30% polyester or permanent filters for longer equipment life of internal components and clean, filtered air
- Motorized inlet and discharge dampers for exfiltration control
- FM/XL Insurance compliant gas trains
- Upright heater stand or legs
- Service platform
- Custom paint colors

Conventional Controls' Options:

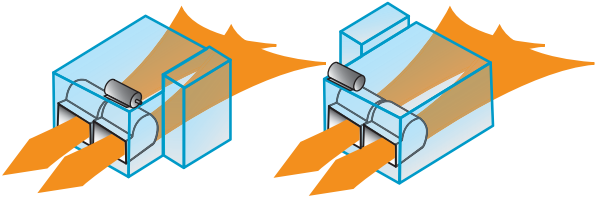
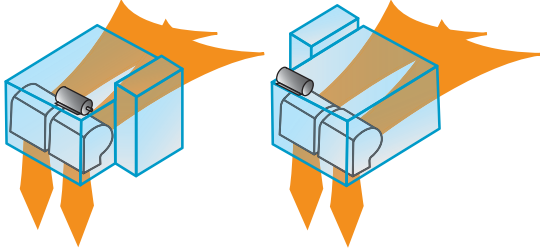
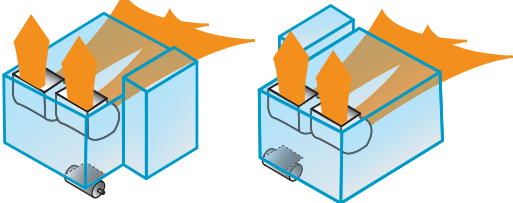
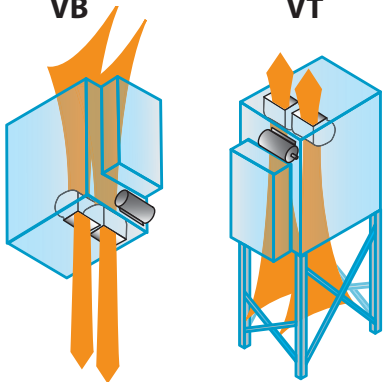
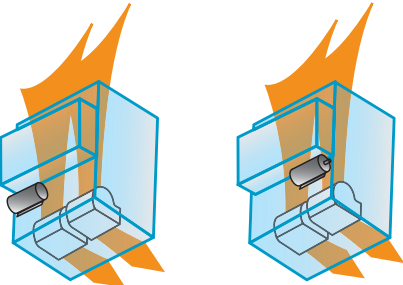
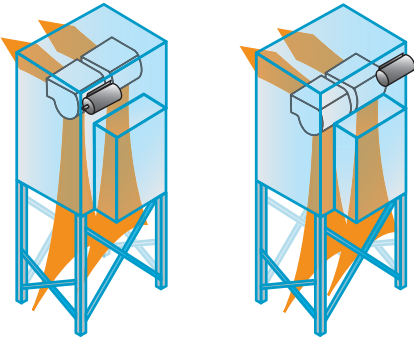
- Low-temperature automatic shutdown
- Space temperature control for added comfort
- 7-day time clock
- Remote control panel with summer/off/winter switch for easy operation
- Mild weather stat

Optional Cooling Packages:

- Direct Expansion (DX)
- Chilled Water
- Evaporative



Unit / Discharge Configurations

Horizontal Unit / Horizontal Discharge		Horizontal Unit / Bottom Discharge	
<p>HHL HHR</p> 	<p>HBL HBR</p> 		
Horizontal Unit / Top Discharge		Upright Unit / Bottom or Top Discharge	
<p>HTL HTR</p> 	<p>VB VT</p> 		
Upright Unit / Bottom Side Discharge		Upright Unit / Top Side Discharge	
<p>VBL VBR</p> 	<p>VTL VTR</p> 		

NOTE: Dual blowers on models TT212 – TT236.

Installation Code and Annual Inspections:

All installation and service of WEATHER-RITE™ equipment must be performed by a contractor qualified in the installation and service of equipment sold and supplied by Weather-Rite LLC and conform to all requirements set forth in the WEATHER-RITE™ manuals and all applicable governmental authorities pertaining to the installation, service, operation and labeling of the equipment. To help facilitate optimum performance and safety, Weather-Rite LLC recommends that a qualified contractor conduct, at a minimum, annual inspections of your WEATHER-RITE™ equipment and perform service where necessary, using only replacement parts sold and supplied by Weather-Rite LLC.

Further Information: Applications, engineering and detailed guidance on systems design, installation and equipment performance is available through WEATHER-RITE™ representatives. Please contact us for any further information you may require, including the Installation, Operation and Service Manual.

This product is not for residential use.

This document is intended to assist licensed professionals in the exercise of their professional judgment.

Weather-Rite LLC

616 North 5th Street
 Minneapolis, MN 55401
 Telephone: +1.612.338.1401
 Fax: +1.612.338.6783
 Toll Free: 1.800.589.3691

www.weather-rite.com

© 2015 Weather-Rite LLC All rights reserved. No part of this work covered by the copyrights herein may be reproduced or copied in any form or by any means – graphic, electronic, or mechanical, including photocopying, recording, taping, or information storage and retrieval systems without written permission of Weather-Rite LLC.