

Direct-Fired Heating, Ventilation and Pressurization Systems



XT-Series

- **Can assist in improved indoor air quality** – Pressurization can help exhaust systems operate more efficiently.
- **Augment existing ventilation system** - Air handler can be designed to automatically modulate outdoor air volume from 20% to 100% to help meet ventilation requirements in cold weather and decrease heat buildup in warm weather.
- **Operation flexibility** - Fan only operation allows free ventilation cooling, reducing indoor air temperatures to help keep people and processes productive.
- **Flexibility and convenience** – Heating systems require little to no ductwork and can be installed indoors or outdoors.

1.800.589.3691
www.weather-rite.com



CANADA: 100% OUTSIDE AIR ONLY

WEATHER-RITE™ Commercial-Grade, Make-Up Air Units

WEATHER-RITE™ XT-Series air handlers improve indoor air quality and provide air comfort.

WEATHER-RITE™ XT-Series air handlers can be designed to efficiently establish and maintain a slightly pressurized condition in your facility as outdoor air is gently tempered and, as required, mixed with existing indoor air.

Model	XT112	XT115	XT118	XT125	XT130	XT225	XT230	
CFM	1,000 - 4,000	4,000 - 10,000	7,000 - 14,000	12,000 - 25,000	25,000 - 40,000	35,000 - 47,500	45,000 - 60,000	
Output [MBH]*	NG	97-389	432-800	456-1,404	1,296-2,700	2,700-4,320	3,780-5,130	4,860-6,480
	LPG	76-302	346-800	605-1,210	1,037-2,160	2,160-3,456	N/A	N/A

* 1 MBH = 1,000 Btu/h. Output range indicates range maximum temperature rise.

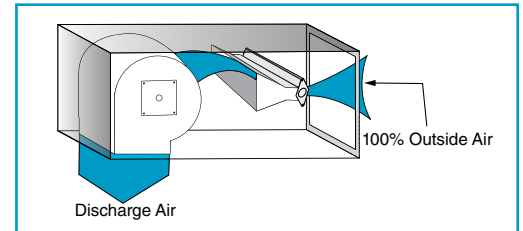
Model Styles

Make-Up Air (MUA)

Design: 100% outdoor air with a fixed discharge air volume.

Function: Supplies direct replacement air for building mechanical exhaust.

Application: Used as make-up air for industrial processes which incorporate mechanical exhaust.

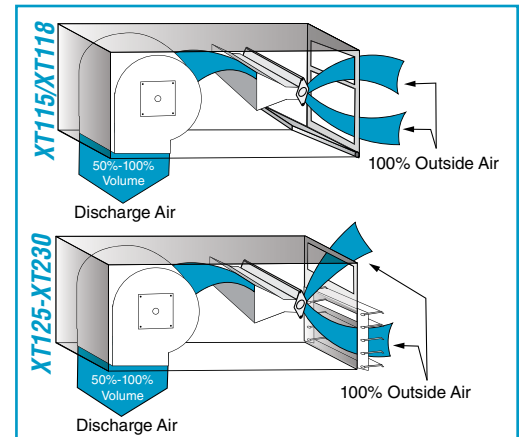


Variable Air Volume (VAV)

Design: 100% outdoor air with variable discharge air volume from 50% to 100% of total capacity.

Function: Automatically responds to building pressure and temperature needs.

Application: Used in industrial and commercial buildings that have air quality and specific air management requirements.

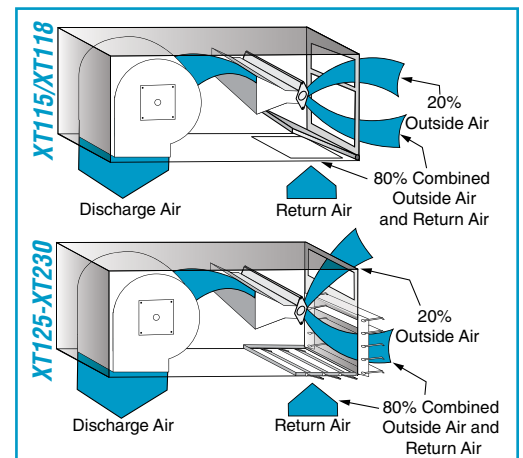


Air Management (AM)

Design: Variable outdoor air/return air ratio within the range of 100% outdoor air/0% return air to 20% outdoor air/80% return air. Discharge air volume is fixed.

Function: Automatically responds to building pressure and temperature needs.

Application: Used in industrial and commercial buildings that have air quality and specific air management requirements.

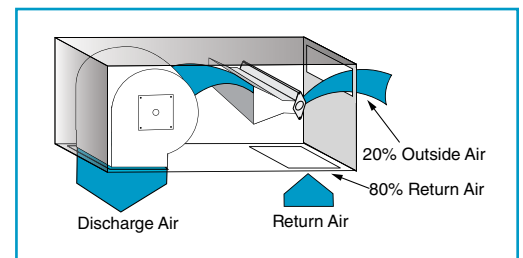


Fixed Recirculation (FR)

Design: Fixed 80% return air and 20% outdoor air. Discharge air volume is fixed.

Function: Provides efficient, low-cost heating where minimum ventilation rates are required.

Application: Used in warehouses, distribution centers, retail outlets, etc.



WEATHER-RITE™ XT-Series Features

Reliable, Efficient System Operation Provided by:

- 30:1 fully modulating burner that maintains 100% combustion efficiency
- Double-width, double-inlet, forward-curved centrifugal fan built for long life
- Energy-saving ignition system
- Electronic fuel modulation providing immediate response
- UV scanner for excellent reliability and durability (Not available on XT112)
- Operation of fan only in warm weather to enjoy free ventilation cooling
- Compliance to ETL per ANSI Z83.18, Z83.4 or Z83.25 standards

Long Lasting Construction Provided by:

- Heavy-duty, corrosion-resistant, galvanized steel construction
- Sturdy, integral frame that is screwed and bolted together for durability and longer service life
- Unpainted galvanized steel or white powder coat finishes available
- Heavy-duty, factory-installed motor and drive package designed for long-lasting performance
- Heavy-duty, pre-lubricated bearings provide up to 30,000 hours of ABMA L-10 performance

XT-Series Conventional Controls' Options:

- Low-temperature stat with bypass timer
- Discharge temperature or room temperature control available
- Interlock to existing building management system or other remote devices
- Mild weather stat

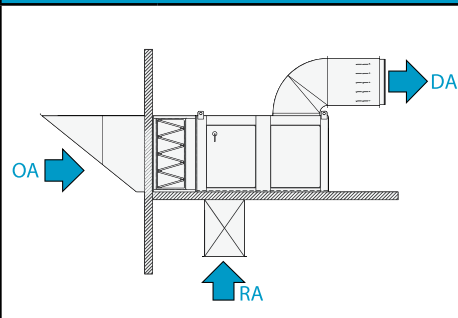
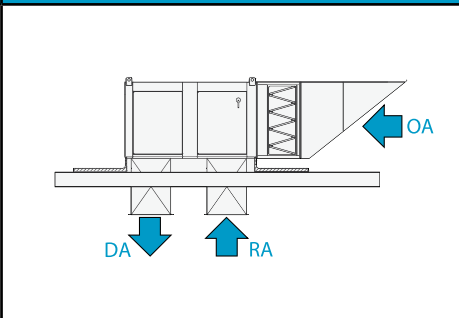
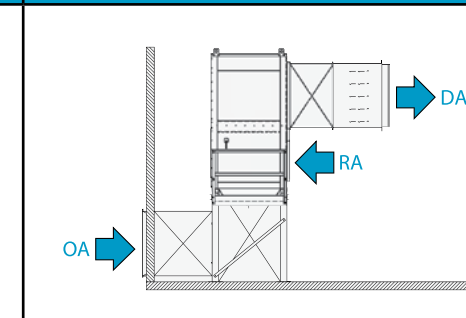
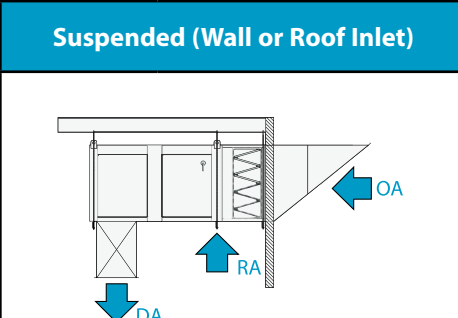
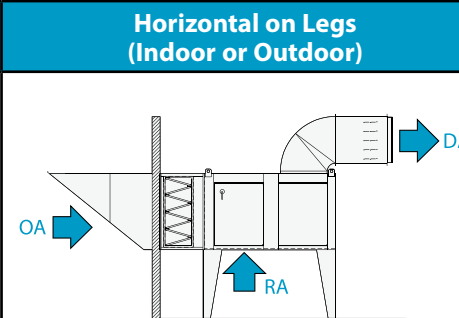
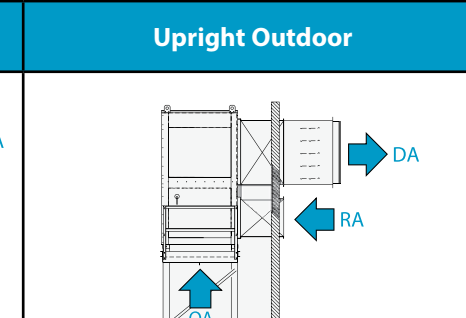
Ease of Maintenance Provided by:

- Large access panel for easy maintenance of blower, motor, drives and burner
- Blower installed downstream of burner for convenient access

Other XT-Series Options:

- 19" (48 cm) roof curb simplifies rooftop mounting
- Inlet hood protects against water entrainment and is available with permanent filters, bird screen or moisture limiter media
- Filter section with disposable or permanent filters for longer equipment life of internal components
- Motorized inlet damper for exfiltration control
- FM compliant gas trains
- Upright heater stand or legs of varying heights

Installation Options

Mezzanine-Supported	Roof-Mounted	Upright Indoor	
			
Suspended (Wall or Roof Inlet)	Horizontal on Legs (Indoor or Outdoor)	Upright Outdoor	
			
LEGEND	OA = Outside Air	DA = Discharge Air	RA = Return Air

NOTE: All models are available in upright or horizontal, as well as indoor or outdoor configurations. Return Air not available on all styles.

WEATHER-RITE™ XT-Series Controllers



Basic Remote

This control is used for make-up air and space heating. The discharge temperature of the heater remains constant as selected on the selection dial. The burner flame is modulated by a discharge temperature control, which is governed by the remote temperature selector.

FAN ON/BURNER ON Mode:

Heater can operate continuously for building exhaust air replacement and space heating by maintaining a constant discharge temperature.

FAN ON/BURNER OFF Mode:

The blower can operate without the burner for summer ventilation.
NEMA 1 enclosure.



Standard Discharge Control Remote (SDC)

This control is used for make-up air and day/night heating of the building. The discharge temperature of the heater remains constant as selected on the selection dial. The burner flame is modulated by a discharge temperature control, which is governed by the remote temperature selector.

AUTO/WINTER Mode:

Heater cycles on/off to maintain space temperature as selected on the thermostat.

ON/WINTER Mode:

Heater can operate continuously for building exhaust air replacement and space heating by maintaining a constant discharge temperature.

ON/SUMMER Mode:

The blower can operate without the burner for summer ventilation.
NEMA 1 enclosure.



Deluxe Temperature Control Remote (DTC)

This control is used for make-up air and total automatic "day/night" heating of the building. A solid-state modulating room Selectrstat fully modulates the burner flame to maintain space temperature and compensate for changing building heat losses or gains.

AUTO/WINTER Mode:

Occupied time: Heater can operate continuously fully modulating Btu/h output to maintain space temperature as selected on the Selectrstat.
Unoccupied time: Heater cycles on/off to maintain space temperature as selected on the programmable thermostat (night setback).

ON/WINTER Mode:

Heater can operate continuously fully modulating Btu/h output to maintain space temperature as selected on the Selectrstat.

ON/SUMMER Mode:

The blower can operate without the burner for summer ventilation.
NEMA 1 enclosure.

Installation Code and Annual Inspections:

All installation and service of WEATHER-RITE™ equipment must be performed by a contractor qualified in the installation and service of equipment sold and supplied by Weather-Rite LLC and conform to all requirements set forth in the WEATHER-RITE™ manuals and all applicable governmental authorities pertaining to the installation, service, operation and labeling of the equipment. To help facilitate optimum performance and safety, Weather-Rite LLC recommends that a qualified contractor conduct, at a minimum, annual inspections of your WEATHER-RITE™ equipment and perform service where necessary, using only replacement parts sold and supplied by Weather-Rite LLC.

Further Information: Applications, engineering and detailed guidance on systems design, installation and equipment performance is available through WEATHER-RITE™ representatives. Please contact us for any further information you may require, including the Installation, Operation and Service Manual.

This product are not for residential use.

This document is intended to assist licensed professionals in the exercise of their professional judgment.

Weather-Rite LLC

616 North 5th Street
Minneapolis, MN 55401
Telephone: +1.612.338.1401
Fax: +1.612.338.6783
Toll Free: 1.800.589.3691

www.weather-rite.com

© 2013 Weather-Rite LLC

All rights reserved. No part of this work covered by the copyrights herein may be reproduced or copied in any form or by any means – graphic, electronic, or mechanical, including photocopying, recording, taping, or information storage and retrieval systems without written permission of Weather-Rite LLC.