



Rapid[®]
Engineering LLC

Standard Electric Batch Ovens

- Operates as a versatile, multi-purpose oven with ability to bake, cure or dry items with a variety of coatings and substrates.
- Heavy duty construction with 4 in. thick, heavy-gauge wall and roof panels composed of a painted cold-rolled steel exterior and an aluminized steel interior.
- Easy access with walk-in, floor-mounted models for larger loads. Ideal for small loads with bench-type model.
- Simple installation with full oven assembly and testing in the factory.
- Saves floor space by locating electrical elements and optional exhaust blower on roof.



You'll Value Our Experience!

www.rapidengineering.com
1.800.536.3461

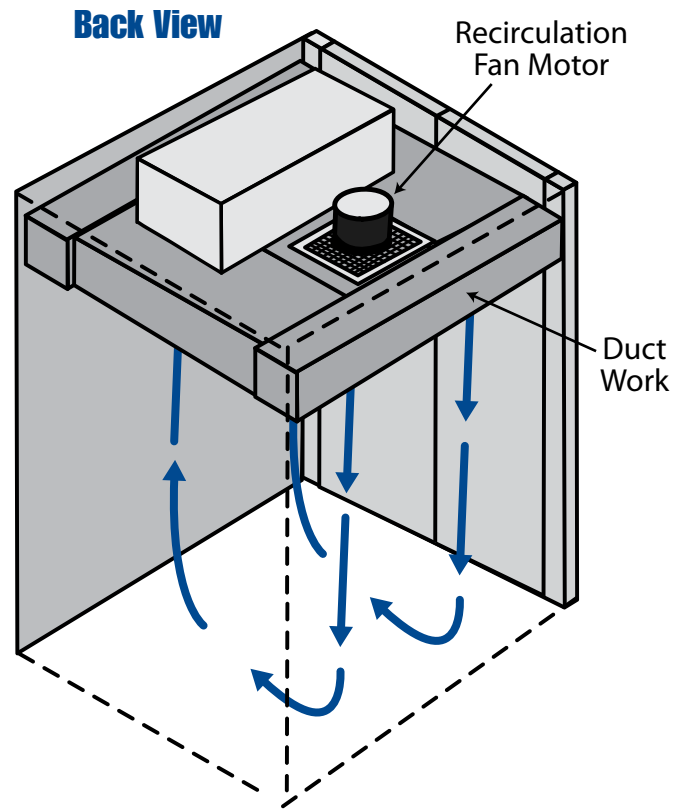
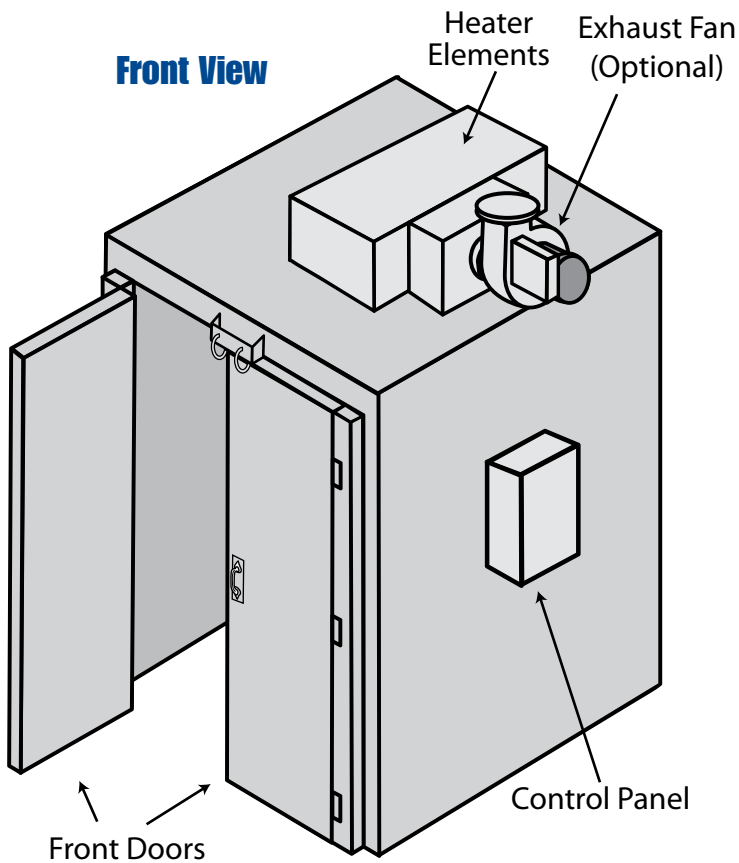
STANDARD ELECTRIC BATCH OVENS

RAPID® standard electric batch ovens are multi-purpose ovens that can be used to bake, cure or dry items with a variety of coatings and substrates. Available in three different sizes, these ovens are ideal for the manufacturer requiring a compact, floor-mounted, walk-in oven. Units are available in various exhaust and electrical supply options, including single phase and ship skidded from the factory fully-assembled and fully-tested.

MODEL DESIGNATIONS

X	XXX			XX	XXX	XX	X
Series	Interior Dimensions (W x H x L)			Heat Output (kW)	Voltage	Control Location	Exhaust
	Model	ft	m				
E	444	4 x 4 x 4	1.2 x 1.2 x 1.2	15	220 = 220/1/60	LC = Left Controls	No Letter = No Exhaust
	464	4 x 6 x 4	1.2 x 1.8 x 1.2	30	240 = 240/3/60	RC = Right Controls	E= Exhaust
	468	4 x 6 x 8	1.2 x 1.8 x 2.4	60	480 = 480/3/60		

SCHEMATIC





STANDARD ELECTRIC BATCH OVEN SPECIFICATIONS

Model	Physical Data						Heat Data			Heat Data		Element Quantity
	Inside Dimensions (W x H x D)		Outside Dimensions (W x H x D)		Interior Size		Approximate Shipping Weight		Maximum Temperature		Heat Output kW	
	ft	m	ft	m	ft ³	m ³	lb	kg	°F	°C		
E444-15-480-xx	4x4x4	1.2x1.2x1.2	5.3x5.8x5	1.6x1.8x1.5	64	1.8	1550	703	450	250	15	6
E444-30-480-xx	4x4x4	1.2x1.2x1.2	5.3x5.8x5	1.6x1.8x1.5	64	1.8	1550	703	450	250	30	12
E444-15-480-xx-E	4x4x4	1.2x1.2x1.2	5.3x5.8x5	1.6x1.8x1.5	64	1.8	1550	703	450	250	15	6
E444-30-480-xx-E	4x4x4	1.2x1.2x1.2	5.3x5.8x5	1.6x1.8x1.5	64	1.8	1550	703	450	250	30	12
E444-15-240-xx	4x4x4	1.2x1.2x1.2	5.3x5.8x5	1.6x1.8x1.5	64	1.8	1550	703	450	250	15	6
E444-30-240-xx	4x4x4	1.2x1.2x1.2	5.3x5.8x5	1.6x1.8x1.5	64	1.8	1550	703	450	250	30	12
E444-15-240-xx-E	4x4x4	1.2x1.2x1.2	5.3x5.8x5	1.6x1.8x1.5	64	1.8	1550	703	450	250	15	6
E444-30-240-xx-E	4x4x4	1.2x1.2x1.2	5.3x5.8x5	1.6x1.8x1.5	64	1.8	1550	703	450	250	30	12
E444-15-220-xx	4x4x4	1.2x1.2x1.2	5.3x5.8x5	1.6x1.8x1.5	64	1.8	1550	703	450	250	15	6
E444-30-220-xx	4x4x4	1.2x1.2x1.2	5.3x5.8x5	1.6x1.8x1.5	64	1.8	1550	703	450	250	30	12
E444-15-220-xx-E	4x4x4	1.2x1.2x1.2	5.3x5.8x5	1.6x1.8x1.5	64	1.8	1550	703	450	250	15	6
E444-30-220-xx-E	4x4x4	1.2x1.2x1.2	5.3x5.8x5	1.6x1.8x1.5	64	1.8	1550	703	450	250	30	12
E464-15-480-xx	4x6x4	1.2x1.8x1.2	5.3x7.8x5	1.6x2.4x1.5	96	2.7	1700	771	450	250	15	6
E464-30-480-xx	4x6x4	1.2x1.8x1.2	5.3x7.8x5	1.6x2.4x1.5	96	2.7	1700	771	450	250	30	12
E464-15-480-xx-E	4x6x4	1.2x1.8x1.2	5.3x7.8x5	1.6x2.4x1.5	96	2.7	1700	771	450	250	15	6
E464-30-480-xx-E	4x6x4	1.2x1.8x1.2	5.3x7.8x5	1.6x2.4x1.5	96	2.7	1700	771	450	250	30	12
E464-15-240-xx	4x6x4	1.2x1.8x1.2	5.3x7.8x5	1.6x2.4x1.5	96	2.7	1700	771	450	250	15	6
E464-30-240-xx	4x6x4	1.2x1.8x1.2	5.3x7.8x5	1.6x2.4x1.5	96	2.7	1700	771	450	250	30	12
E464-15-240-xx-E	4x6x4	1.2x1.8x1.2	5.3x7.8x5	1.6x2.4x1.5	96	2.7	1700	771	450	250	15	6
E464-30-240-xx-E	4x6x4	1.2x1.8x1.2	5.3x7.8x5	1.6x2.4x1.5	96	2.7	1700	771	450	250	30	12
E464-15-220-xx	4x6x4	1.2x1.8x1.2	5.3x7.8x5	1.6x2.4x1.5	96	2.7	1700	771	450	250	15	6
E464-30-220-xx	4x6x4	1.2x1.8x1.2	5.3x7.8x5	1.6x2.4x1.5	96	2.7	1700	771	450	250	30	12
E464-15-220-xx-E	4x6x4	1.2x1.8x1.2	5.3x7.8x5	1.6x2.4x1.5	96	2.7	1700	771	450	250	15	6
E464-30-220-xx-E	4x6x4	1.2x1.8x1.2	5.3x7.8x5	1.6x2.4x1.5	96	2.7	1700	771	450	250	30	12
E468-30-480-xx	4x6x8	1.2x1.8x2.4	5.3x7.8x9	1.6x2.4x2.7	192	5.4	3400	1542	450	250	30	12
E468-60-480-xx	4x6x8	1.2x1.8x2.4	5.3x7.8x9	1.6x2.4x2.7	192	5.4	3400	1542	450	250	60	24
E468-30-480-xx-E	4x6x8	1.2x1.8x2.4	5.3x7.8x9	1.6x2.4x2.7	192	5.4	3400	1542	450	250	30	12
E468-60-480-xx-E	4x6x8	1.2x1.8x2.4	5.3x7.8x9	1.6x2.4x2.7	192	5.4	3400	1542	450	250	60	24
E468-30-240-xx	4x6x8	1.2x1.8x2.4	5.3x7.8x9	1.6x2.4x2.7	192	5.4	3400	1542	450	250	30	12
E468-60-240-xx	4x6x8	1.2x1.8x2.4	5.3x7.8x9	1.6x2.4x2.7	192	5.4	3400	1542	450	250	60	24
E468-30-240-xx-E	4x6x8	1.2x1.8x2.4	5.3x7.8x9	1.6x2.4x2.7	192	5.4	3400	1542	450	250	30	12
E468-60-240-xx-E	4x6x8	1.2x1.8x2.4	5.3x7.8x9	1.6x2.4x2.7	192	5.4	3400	1542	450	250	60	24
E468-30-220-xx	4x6x8	1.2x1.8x2.4	5.3x7.8x9	1.6x2.4x2.7	192	5.4	3400	1542	450	250	30	12
E468-60-220-xx	4x6x8	1.2x1.8x2.4	5.3x7.8x9	1.6x2.4x2.7	192	5.4	3400	1542	450	250	60	24
E468-30-220-xx-E	4x6x8	1.2x1.8x2.4	5.3x7.8x9	1.6x2.4x2.7	192	5.4	3400	1542	450	250	30	12
E468-60-220-xx-E	4x6x8	1.2x1.8x2.4	5.3x7.8x9	1.6x2.4x2.7	192	5.4	3400	1542	450	250	60	24

Model	Recirculation Fan Data				Exhaust Fan Data				Electrical Data		
	Airflow		Motor Size		Airflow		Motor Size		V ϕ /Hz	Element FLA (A)	Total FLA (A)
	CFM	m ³ /h	HP	kW	CFM	m ³ /h	HP	kW			
E444-15-480-xx	2400	4077	0.5	0.37	N/A	N/A	N/A	N/A	480/3/60	18.0	20.5
E444-30-480-xx	2400	4077	0.5	0.37	N/A	N/A	N/A	N/A	480/3/60	36.1	38.6
E444-15-480-xx-E	2400	4077	0.5	0.37	120	204	0.1	0.37	480/3/60	18.0	20.5
E444-30-480-xx-E	2400	4077	0.5	0.37	120	204	0.1	0.37	480/3/60	36.1	38.6
E444-15-240-xx	2400	4077	0.5	0.37	N/A	N/A	N/A	N/A	240/3/60	36.1	42.3
E444-30-240-xx	2400	4077	0.5	0.37	N/A	N/A	N/A	N/A	240/3/60	72.2	78.4
E444-15-240-xx-E	2400	4077	0.5	0.37	120	204	0.1	0.37	240/3/60	36.1	42.3
E444-30-240-xx-E	2400	4077	0.5	0.37	120	204	0.1	0.37	240/3/60	72.2	78.4
E444-15-220-xx	2400	4077	0.5	0.37	N/A	N/A	N/A	N/A	240/1/60	62.5	68.7
E444-30-220-xx	2400	4077	0.5	0.37	N/A	N/A	N/A	N/A	240/1/60	125.0	131.2
E444-15-220-xx-E	2400	4077	0.5	0.37	120	204	0.1	0.37	240/1/60	62.5	68.7
E444-30-220-xx-E	2400	4077	0.5	0.37	120	204	0.1	0.37	240/1/60	125.0	131.2
E464-15-480-xx	2400	4077	0.5	0.37	N/A	N/A	N/A	N/A	480/3/60	18.0	20.5
E464-30-480-xx	2400	4077	0.5	0.37	N/A	N/A	N/A	N/A	480/3/60	36.1	38.6
E464-15-480-xx-E	2400	4077	0.5	0.37	120	204	0.1	0.37	480/3/60	18.0	20.5
E464-30-480-xx-E	2400	4077	0.5	0.37	120	204	0.1	0.37	480/3/60	36.1	38.6
E464-15-240-xx	2400	4077	0.5	0.37	N/A	N/A	N/A	N/A	240/3/60	36.1	42.3
E464-30-240-xx	2400	4077	0.5	0.37	N/A	N/A	N/A	N/A	240/3/60	72.2	78.4
E464-15-240-xx-E	2400	4077	0.5	0.37	120	204	0.1	0.37	240/3/60	36.1	42.3
E464-30-240-xx-E	2400	4077	0.5	0.37	120	204	0.1	0.37	240/3/60	72.2	78.4
E464-15-220-xx	2400	4077	0.5	0.37	N/A	N/A	N/A	N/A	240/1/60	62.5	68.7
E464-30-220-xx	2400	4077	0.5	0.37	N/A	N/A	N/A	N/A	240/1/60	125.0	131.2
E464-15-220-xx-E	2400	4077	0.5	0.37	120	204	0.1	0.37	240/1/60	62.5	68.7
E464-30-220-xx-E	2400	4077	0.5	0.37	120	204	0.1	0.37	240/1/60	125.0	131.2
E468-30-480-xx	4800	8155	0.5(2)	0.75	N/A	N/A	N/A	N/A	480/3/60	36.1	41.1
E468-60-480-xx	4800	8155	0.5(2)	0.75	N/A	N/A	N/A	N/A	480/3/60	72.2	77.2
E468-30-480-xx-E	4800	8155	0.5(2)	0.75	240	408	0.1(2)	0.37(2)	480/3/60	36.1	41.1
E468-60-480-xx-E	4800	8155	0.5(2)	0.75	240	408	0.1(2)	0.37(2)	480/3/60	72.2	77.2
E468-30-240-xx	4800	8155	0.5(2)	0.75	N/A	N/A	N/A	N/A	240/3/60	72.2	84.6
E468-60-240-xx	4800	8155	0.5(2)	0.75	N/A	N/A	N/A	N/A	240/3/60	144.3	156.7
E468-30-240-xx-E	4800	8155	0.5(2)	0.75	240	408	0.1(2)	0.37(2)	240/3/60	72.2	84.6
E468-60-240-xx-E	4800	8155	0.5(2)	0.75	240	408	0.1(2)	0.37(2)	240/3/60	144.3	156.7
E468-30-220-xx	4800	8155	0.5(2)	0.75	N/A	N/A	N/A	N/A	240/1/60	125.0	137.4
E468-60-220-xx	4800	8155	0.5(2)	0.75	N/A	N/A	N/A	N/A	240/1/60	250.0	262.4
E468-30-220-xx-E	4800	8155	0.5(2)	0.75	240	408	0.1(2)	0.37(2)	240/1/60	125.0	137.4
E468-60-220-xx-E	4800	8155	0.5(2)	0.75	240	408	0.1(2)	0.37(2)	240/1/60	250.0	262.4

The RAPID® Advantage

- Quality products and reliable performance
- Project management support
- Design, manufacturing, installation and service capabilities
- Extensive experience
- Single source supply for components
- On-time and on-budget delivery

For a quote, call us at
1.800.536.3461
or send us an email at
IPFESales@rapidengineering.com

Thank You for Your Business!

Installation Code and Annual Inspections:

All installation and service of RAPID® equipment must be performed by a contractor qualified in the installation and service of industrial processing and finishing equipment and conform to all requirements set forth in the RAPID® manuals and all applicable governmental authorities (including but not limited to NFPA-86) pertaining to the installation, service, operation and labeling of the equipment. Refer to the applicable installation, service and operation manual for safety shutoff valve leak test procedure and schedule. To help facilitate optimum performance and safety, Rapid Engineering LLC recommends that a qualified contractor conduct, at a minimum, annual inspections of your RAPID® equipment and perform service where necessary, using only replacement parts sold and supplied by Rapid Engineering LLC.

Process and finishing equipment must only be used under the supervision of a trained professional and in strict accordance with all applicable government regulations and safety criteria.

Further Information: Applications, engineering and detailed guidance on systems design, installation and equipment performance is available through RAPID® representatives. Please contact us for any further information you may require, including the Installation, Operation and Service Manual.

These products are not for residential use.

This document is intended to assist licensed professionals in the exercise of their professional judgment.

Rapid Engineering LLC

1100 Seven Mile Road NW
Comstock Park, MI 49321
Telephone: +1.616.784.0500
Toll Free: 800.536.3461
Fax: +1.616.784.0435

www.rapidengineering.com