



Rapid[®]
Engineering LLC

Install-It-Yourself Batch Oven Kits

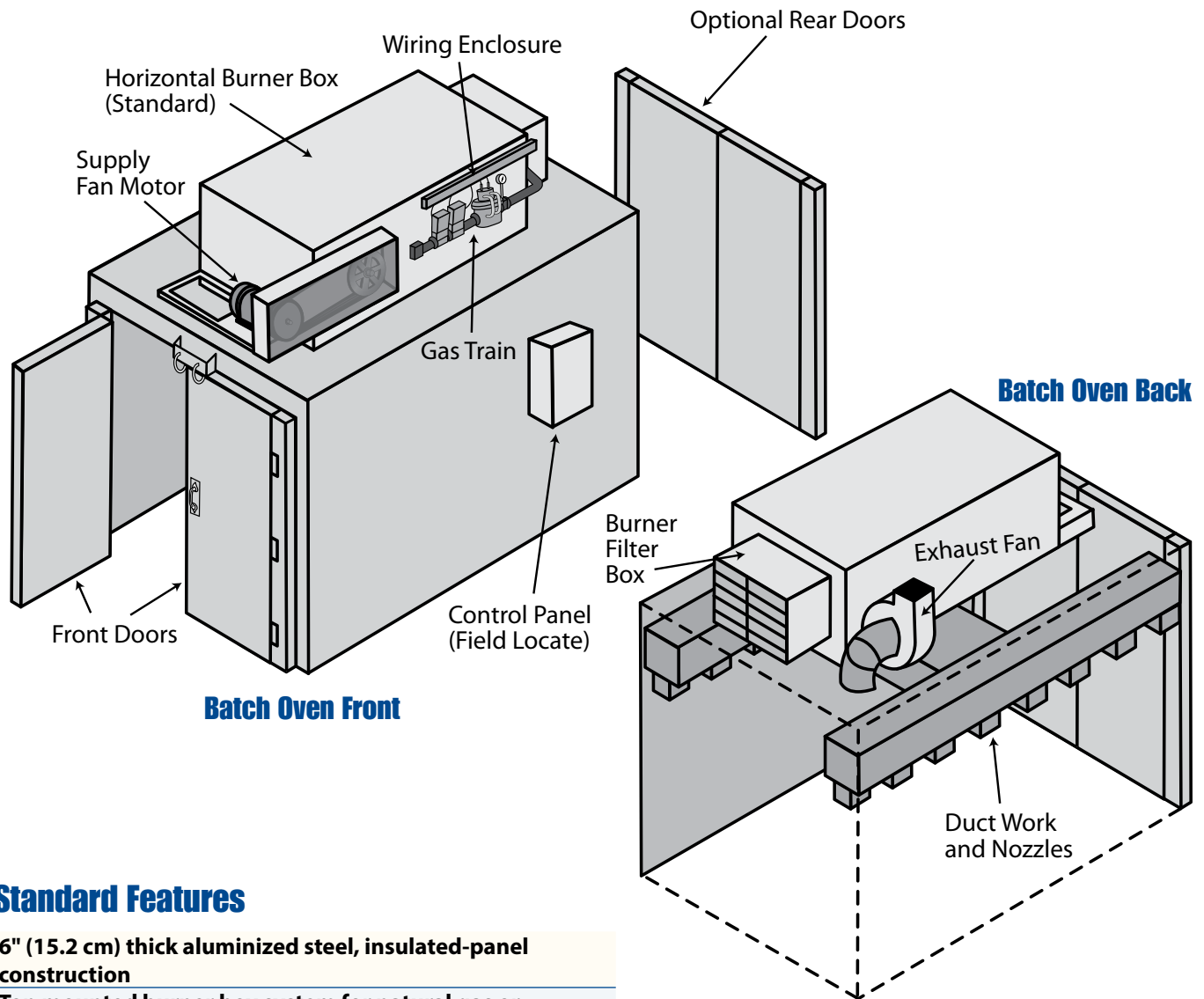
- Flexibility with standard assembled or install-it-yourself ovens for preheating, drying and curing for applications up to 500° F (260° C).
- Durability provided from quality components such as aluminized steel, insulated-panel walls and roofs, industrial grade fans and state-of-the-art controls.
- Energy-efficient direct-fired burners having a 20:1 turndown ratio.
- Better oven balance, cleanliness and space usage from unique duct design.
- Dependable operation when installed, used and maintained properly.
- Lower installation costs by installing it yourself.
- Versatility provided by custom designs and sizes.



Model 8810 assembled oven shown

You'll Value Our Experience!

www.rapidengineering.com
1.800.536.3461



Standard Features

6" (15.2 cm) thick aluminized steel, insulated-panel construction

Top mounted burner box system for natural gas or propane

Double doors on one end

Ceiling-mounted ductwork distribution

Powered exhaust fan

Automatic purge cycle

UL-listed electrical control panel

460 VAC, 3Ø, 60 Hz

Digital temperature controller

Batch timer

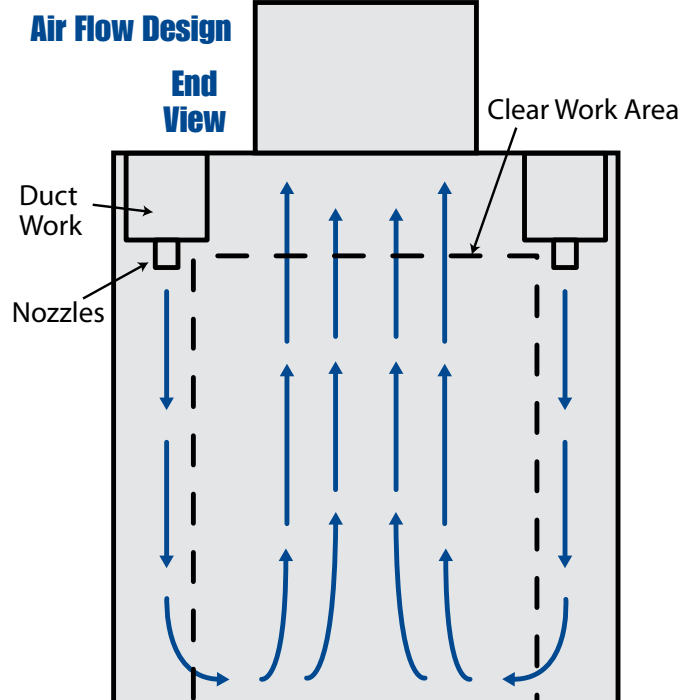
Electronic burner and high-temperature limit controls

Flame safety control with UV scanner

Controls designed to be Factory Mutual (FM) compliant

Automatic shutdown when a pre-set cool down temperature is achieved

Designed and built to comply with industry standards





STANDARD BATCH OVEN SPECIFICATIONS*

Model	Clearance Opening ft (cm) (W x H x D)	Outside Dimensions ft (cm) (W x H x D)	Total Weight lb (kg)	Burner Box Dimensions ft (cm) (W x H x D)	Burner Box Weight lb (kg)	Gas Burner Output Btu/h x 1000 (kW)	Recirculation Fan		Exhaust Fan	
							Airflow CFM (m ³ /h)	Motor Size HP (kW)	Airflow CFM (m ³ /h)	Motor Size HP (kW)
666	6 x 6 x 6 (183 x 183 x 183)	8.5 x 8 x 8 (259 x 244 x 244)	6,000 (2,722)	5.4 x 3.7 x 7.2 (165 x 113 x 219)	1,300 (590)	300 (0.09)	1,700 (2,890)	1 (0.75)	400 (680)	0.50 (0.40)
6610	6 x 6 x 10 (183 x 183 x 305)	8.5 x 8 x 12 (259 x 244 x 366)	7,000 (3,175)	5.4 x 3.7 x 8.7 (165 x 113 x 265)	1,400 (635)	450 (0.13)	2,700 (4,590)	1.5 (1.10)	570 (969)	0.50 (0.40)
6615	6 x 6 x 15 (183 x 183 x 457)	8.5 x 8 x 17 (259 x 244 x 518)	8,200 (3,719)	5.4 x 3.7 x 8.7 (165 x 113 x 265)	1,400 (635)	600 (0.18)	4,000 (6,800)	2 (1.50)	570 (969)	0.50 (0.40)
6620	6 x 6 x 20 (183 x 183 x 610)	8.5 x 8 x 22 (259 x 244 x 671)	9,800 (4,445)	5.9 x 3.3 x 11 (180 x 101 x 335)	1,800 (816)	900 (0.26)	5,600 (9,520)	3 (2.20)	670 (1,139)	0.50 (0.40)
6625	6 x 6 x 25 (183 x 183 x 762)	8.5 x 8 x 27 (259 x 244 x 823)	11,000 (4,990)	5.9 x 3.3 x 11 (180 x 101 x 335)	1,900 (862)	900 (0.26)	6,200 (10,540)	5 (4.00)	670 (1,139)	0.50 (0.40)
8810	8 x 8 x 10 (244 x 244 x 305)	10.5 x 10 x 12 (320 x 305 x 366)	9,200 (4,173)	5.4 x 3.7 x 8.7 (165 x 113 x 265)	1,600 (726)	600 (0.18)	4,000 (6,800)	3 (2.20)	570 (969)	0.50 (0.40)
8815	8 x 8 x 15 (244 x 244 x 457)	10.5 x 10 x 17 (320 x 305 x 518)	11,000 (4,990)	5.9 x 3.3 x 11 (180 x 101 x 335)	1,900 (862)	900 (0.26)	5,600 (9,520)	3 (2.20)	670 (1,139)	0.50 (0.40)
8820	8 x 8 x 20 (244 x 244 x 610)	10.5 x 10 x 22 (320 x 305 x 671)	12,400 (5,625)	5.9 x 3.3 x 11 (180 x 101 x 335)	1,900 (862)	1,200 (0.35)	7,500 (12,750)	5 (4.00)	870 (1,479)	0.75 (0.60)
8825	8 x 8 x 25 (244 x 244 x 762)	10.5 x 10 x 27 (320 x 305 x 823)	14,000 (6,350)	6.4 x 3.4 x 11.6 (195 x 104 x 354)	2,100 (953)	1,500 (0.44)	10,000 (17,000)	7.5 (5.50)	1,020 (1,734)	1.00 (0.75)
8830	8 x 8 x 30 (244 x 244 x 914)	10.5 x 10 x 32 (320 x 305 x 975)	15,900 (7,212)	7.3 x 3.8 x 12.1 (223 x 116 x 369)	2,500 (1,134)	1,800 (0.53)	12,000 (20,400)	7.5 (5.50)	1,300 (2,210)	0.75 (0.60)
8835	8 x 8 x 35 (244 x 244 x 1067)	10.5 x 10 x 37 (320 x 305 x 1128)	17,400 (7,892)	7.3 x 3.8 x 12.3 (223 x 116 x 375)	2,600 (1,179)	2,100 (0.62)	14,000 (23,800)	10 (7.50)	1,300 (2,210)	0.75 (0.60)
8840	8 x 8 x 40 (244 x 244 x 1219)	10.5 x 10 x 42 (320 x 305 x 1280)	19,300 (8,754)	7.8 x 4.3 x 12.8 (238 x 131 x 390)	3,000 (1,361)	2,400 (0.70)	16,000 (27,200)	10 (7.50)	1,600 (2,720)	1.00 (0.75)
8845	8 x 8 x 45 (244 x 244 x 1372)	10.5 x 10 x 47 (320 x 305 x 1433)	20,700 (9,389)	7.8 x 4.3 x 12.8 (238 x 131 x 390)	3,000 (1,361)	2,400 (0.70)	17,000 (28,900)	10 (7.50)	1,600 (2,720)	1.00 (0.75)
8850	8 x 8 x 50 (244 x 244 x 1524)	10.5 x 10 x 52 (320 x 305 x 1585)	22,200 (10,070)	7.8 x 4.3 x 12.9 (238 x 131 x 393)	3,100 (1,406)	2,700 (0.79)	18,000 (30,600)	15 (11.00)	1,600 (2,720)	1.00 (0.75)
8855	8 x 8 x 55 (244 x 244 x 1676)	10.5 x 10 x 57 (320 x 305 x 1737)	23,900 (10,841)	8.3 x 4.5 x 13.3 (253 x 137 x 405)	3,400 (1,542)	3,000 (0.88)	20,000 (34,000)	15 (11.00)	1,900 (3,230)	1.50 (1.10)
10810	10 x 8 x 10 (305 x 244 x 305)	12.5 x 10 x 12 (381 x 305 x 366)	10,500 (4,763)	5.9 x 3.3 x 11 (180 x 101 x 335)	1,900 (862)	900 (0.26)	5,600 (9,520)	3 (2.20)	670 (1,139)	0.50 (0.40)
10815	10 x 8 x 15 (305 x 244 x 457)	12.5 x 10 x 17 (381 x 305 x 518)	12,000 (5,443)	5.9 x 3.3 x 11 (180 x 101 x 335)	1,900 (862)	1,200 (0.35)	7,500 (12,750)	5 (4.00)	870 (1,479)	0.75 (0.60)
10820	10 x 8 x 20 (305 x 244 x 610)	12.5 x 10 x 22 (381 x 305 x 671)	13,800 (6,260)	6.4 x 3.4 x 11.6 (195 x 104 x 354)	2,200 (1,000)	1,500 (0.44)	10,000 (17,000)	7.5 (5.50)	1,020 (1,734)	1.00 (0.75)
10825	10 x 8 x 25 (305 x 244 x 762)	12.5 x 10 x 27 (381 x 305 x 823)	15,800 (7,167)	7.3 x 3.8 x 12.1 (223 x 116 x 369)	2,600 (1,179)	1,800 (0.53)	12,000 (20,400)	7.5 (5.50)	1,300 (2,210)	0.75 (0.60)
10830	10 x 8 x 30 (305 x 244 x 914)	12.5 x 10 x 32 (381 x 305 x 975)	17,300 (7,847)	7.3 x 3.8 x 12.3 (223 x 116 x 375)	2,600 (1,179)	2,100 (0.62)	14,000 (23,800)	10 (7.50)	1,300 (2,210)	0.75 (0.60)
10835	10 x 8 x 35 (305 x 244 x 1067)	12.5 x 10 x 37 (381 x 305 x 1128)	19,200 (8,709)	7.8 x 4.3 x 12.8 (238 x 131 x 390)	3,000 (1,361)	2,400 (0.70)	16,000 (27,200)	10 (7.50)	1,600 (2,720)	1.00 (0.75)
10840	10 x 8 x 40 (305 x 244 x 1219)	12.5 x 10 x 42 (381 x 305 x 1280)	20,800 (9,435)	7.8 x 4.3 x 12.9 (238 x 131 x 393)	3,100 (1,406)	2,700 (0.79)	18,000 (30,600)	15 (11.00)	1,600 (2,720)	1.00 (0.75)
10845	10 x 8 x 45 (305 x 244 x 1372)	12.5 x 10 x 47 (381 x 305 x 1433)	22,700 (10,297)	8.3 x 4.5 x 13.3 (253 x 137 x 405)	3,400 (1,542)	3,000 (0.88)	20,000 (34,000)	15 (11.00)	1,900 (3,230)	1.50 (1.10)
10850	10 x 8 x 50 (305 x 244 x 1524)	12.5 x 10 x 52 (381 x 305 x 1585)	24,200 (10,977)	8.3 x 4.5 x 13.3 (253 x 137 x 405)	3,400 (1,542)	3,300 (0.97)	22,000 (37,400)	15 (11.00)	1,900 (3,230)	1.50 (1.10)
10855	10 x 8 x 55 (305 x 244 x 1676)	12.5 x 10 x 57 (381 x 305 x 1737)	26,100 (11,839)	8.3 x 4.9 x 13.8 (253 x 149 x 421)	3,800 (1,724)	3,600 (1.06)	24,000 (40,800)	15 (11.00)	2,100 (3,570)	1.50 (1.10)
101010	10 x 10 x 10 (305 x 305 x 305)	12.5 x 12 x 12 (381 x 366 x 366)	12,000 (5,443)	5.9 x 3.3 x 11 (180 x 101 x 335)	2,000 (907)	900 (0.26)	6,200 (10,540)	5 (4.00)	670 (1,139)	0.50 (0.40)
101015	10 x 10 x 15 (305 x 305 x 457)	12.5 x 12 x 17 (381 x 366 x 518)	13,900 (6,305)	6.4 x 3.4 x 11.6 (195 x 104 x 354)	2,200 (998)	1,200 (0.35)	8,500 (14,450)	5 (4.00)	870 (1,479)	0.75 (0.60)
101020	10 x 10 x 20 (305 x 305 x 610)	12.5 x 12 x 22 (381 x 366 x 671)	16,000 (7,257)	7.3 x 3.8 x 12.1 (223 x 116 x 369)	2,600 (1,179)	1,800 (0.53)	12,000 (20,400)	7.5 (5.50)	1,300 (2,210)	0.75 (0.60)

* Specifications subject to change based on final engineering, specific applications and/or specific installations.



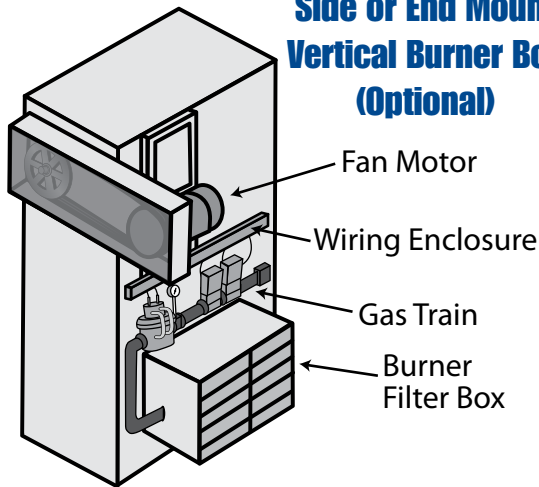


STANDARD BATCH OVEN SPECIFICATIONS

Model	Clearance Opening ft (cm) (W x H x D)	Outside Dimensions ft (cm) (W x H x D)	Total Weight lb (kg)	Burner Box Dimensions ft (cm) (W x H x D)	Burner Box Weight lb (kg)	Gas Burner Output Btu/h x 1000 (kW)	Recirculation Fan		Exhaust Fan	
							Airflow CFM (m ³ /h)	Motor Size HP (kW)	Airflow CFM (m ³ /h)	Motor Size HP (kW)
101025	10 x 10 x 25 (305 x 305 x 762)	12.5 x 12 x 27 (381 x 366 x 823)	17,800 (8,074)	7.3 x 3.8 x 12.3 (223 x 116 x 375)	2,700 (1,225)	2,100 (0.62)	14,000 (23,800)	10 (7.50)	1,300 (2,210)	0.75 (0.60)
101030	10 x 10 x 30 (305 x 305 x 914)	12.5 x 12 x 32 (381 x 366 x 975)	19,900 (9,026)	7.8 x 4.3 x 12.9 (238 x 131 x 393)	3,100 (1,406)	2,400 (0.70)	17,000 (28,900)	15 (11.00)	1,600 (2,720)	1 (0.75)
101035	10 x 10 x 35 (305 x 305 x 1067)	12.5 x 12 x 37 (381 x 366 x 1128)	21,900 (9,934)	8.3 x 4.5 x 13.3 (253 x 137 x 405)	3,400 (1,542)	2,700 (0.79)	19,000 (32,300)	15 (11.00)	1,600 (2,720)	1 (0.75)
101040	10 x 10 x 40 (3305 x 305 x 1219)	12.5 x 12 x 42 (381 x 366 x 1280)	23,600 (10,705)	8.3 x 4.5 x 13.3 (253 x 137 x 405)	3,400 (1,542)	3,000 (0.88)	22,000 (37,400)	15 (11.00)	1,900 (3,230)	1.5 (1.10)
101045	10 x 10 x 45 (305 x 305 x 1372)	12.5 x 12 x 47 (381 x 366 x 1433)	25,700 (11,657)	8.3 x 4.9 x 13.9 (253 x 149 x 424)	3,800 (1,724)	3,300 (0.97)	25,000 (42,500)	20 (15.00)	1,900 (3,230)	1.5 (1.10)
101050	10 x 10 x 50 (305 x 305 x 1524)	12.5 x 12 x 52 (381 x 366 x 1585)	27,400 (12,428)	8.3 x 4.9 x 13.9 (253 x 149 x 424)	3,800 (1,724)	3,600 (1.06)	28,000 (47,600)	20 (15.00)	2,100 (3,570)	1.5 (1.10)
101055	10 x 10 x 55 (305 x 305 x 1676)	12.5 x 13 x 57 (381 x 396 x 1737)	31,000 (14,061)	8.3 x 5.3 x 14.7 (253 x 162 x 448)	4,300 (1,950)	3,600 (1.06)	30,000 (51,000)	20 (15.00)	2100 (3570)	1.5 (1.10)
121010	12 x 10 x 10 (366 x 305 x 305)	14.5 x 12 x 12 (442 x 366 x 366)	13,200 (5,987)	5.9 x 3.3 x 11.2 (180 x 101 x 341)	2,100 (953)	1,200 (0.35)	7,500 (12,750)	7.5 (5.50)	870 (1479)	0.75 (0.60)
121015	12 x 10 x 15 (366 x 305 x 457)	14.5 x 12 x 17 (442 x 366 x 518)	15,500 (7,031)	7.3 x 3.8 x 12.1 (223 x 116 x 369)	2,600 (1,179)	1,500 (0.44)	11,000 (18,700)	7.5 (5.50)	1020 (1734)	1 (0.75)
121020	12 x 10 x 20 (366 x 305 x 610)	14.5 x 12 x 22 (442 x 366 x 671)	17,300 (7,847)	7.3 x 3.8 x 12.3 (223 x 116 x 375)	2,700 (1,225)	2,100 (0.62)	14,000 (23,800)	10 (7.50)	1300 (2210)	0.75 (0.60)
121025	12 x 10 x 25 (366 x 305 x 762)	14.5 x 12 x 27 (442 x 366 x 823)	19,600 (8,890)	7.8 x 4.3 x 12.9 (238 x 131 x 393)	3,200 (1,451)	2,400 (0.70)	17,000 (28,900)	15 (11.00)	1,600 (2,720)	1 (0.75)
121030	12 x 10 x 30 (366 x 305 x 914)	14.5 x 12 x 32 (442 x 366 x 975)	21,700 (9,843)	8.3 x 4.5 x 13.3 (253 x 137 x 405)	3,500 (1,588)	2,700 (0.79)	19,000 (32,300)	15 (11.00)	1,600 (2,720)	1 (0.75)
121035	12 x 10 x 35 (366 x 305 x 1067)	14.5 x 12 x 37 (442 x 366 x 1128)	23,500 (10,659)	8.3 x 4.5 x 13.3 (253 x 137 x 405)	3,500 (1,588)	3,000 (0.88)	22,000 (37,400)	15 (11.00)	1,900 (3,230)	1.5 (1.10)
121040	12 x 10 x 40 (366 x 305 x 1219)	14.5 x 12 x 42 (442 x 366 x 1280)	25,700 (11,657)	8.3 x 4.9 x 13.9 (253 x 149 x 424)	3,900 (1,769)	3,300 (0.97)	25,000 (42,500)	20 (15.00)	1,900 (3,230)	1.5 (1.10)
121045	12 x 10 x 45 (366 x 305 x 1372)	14.5 x 12 x 47 (442 x 366 x 1433)	27,500 (12,474)	8.3 x 4.9 x 13.9 (253 x 149 x 424)	3,900 (1,769)	3,600 (1.06)	28,000 (47,600)	20 (15.00)	2,100 (3,570)	1.5 (1.10)
121050	12 x 10 x 50 (366 x 305 x 1524)	14.5 x 13 x 52 (442 x 396 x 1585)	31,100 (14,107)	8.3 x 5.3 x 14.7 (253 x 162 x 448)	4,300 (1,950)	3,600 (1.06)	30,000 (51,000)	20 (15.00)	2,100 (3,570)	1.5 (1.10)
121055	12 x 10 x 55 (366 x 305 x 1676)	14.5 x 13 x 57 (442 x 396 x 1737)	33,400 (15,150)	8.3 x 5.3 x 14.7 (253 x 162 x 448)	4,700 (2,132)	4,200 (1.23)	33,000 (56,100)	25 (18.50)	2,500 (4,250)	1.5 (1.10)
121210	12 x 12 x 10 (366 x 366 x 305)	14.5 x 14 x 12 (442 x 427 x 366)	15,100 (6,849)	6.4 x 3.4 x 11.6 (195 x 104 x 354)	2,500 (1,134)	1,200 (0.35)	8,000 (13,600)	7.5 (5.50)	870 (1,479)	0.75 (0.60)
121215	12 x 12 x 15 (366 x 366 x 457)	14.5 x 14 x 17 (442 x 427 x 518)	17,400 (7,893)	7.3 x 3.8 x 12.3 (223 x 116 x 375)	2,900 (1,315)	1,800 (0.53)	12,000 (20,400)	10 (7.50)	1,300 (2,210)	0.75 (0.60)
121220	12 x 12 x 20 (366 x 366 x 610)	14.5 x 14 x 22 (442 x 427 x 671)	19,900 (9,027)	7.8 x 4.3 x 12.9 (238 x 131 x 393)	3,400 (1,542)	2,400 (0.70)	16,000 (27,200)	15 (11.00)	1,600 (2,720)	1 (0.75)
121225	12 x 12 x 25 (366 x 366 x 762)	14.5 x 14 x 27 (442 x 427 x 823)	22,200 (10,070)	8.3 x 4.5 x 13.3 (253 x 137 x 405)	3,700 (1,678)	2,700 (0.79)	19,000 (32,300)	15 (11.00)	1,600 (2,720)	1 (0.75)
121230	12 x 12 x 30 (366 x 366 x 914)	14.5 x 14 x 32 (442 x 427 x 975)	24,500 (11,113)	8.3 x 4.9 x 13.9 (253 x 149 x 424)	4,000 (1,814)	3,000 (0.88)	23,000 (39,100)	20 (15.00)	1,900 (3,230)	1.5 (1.10)
121235	12 x 12 x 35 (366 x 366 x 1067)	14.5 x 14 x 37 (442 x 427 x 1128)	26,400 (11,975)	8.3 x 4.9 x 13.9 (253 x 149 x 424)	4,000 (1,814)	3,300 (0.97)	26,000 (44,200)	20 (15.00)	1,900 (3,230)	1.5 (1.10)
121240	12 x 12 x 40 (366 x 366 x 1219)	14.5 x 14 x 42 (442 x 427 x 1280)	28,700 (13,018)	8.3 x 4.9 x 14 (253 x 149 x 427)	4,300 (1,950)	3,600 (1.06)	29,000 (49,300)	25 (18.50)	2,100 (3,570)	1.5 (1.10)
121245	12 x 12 x 45 (366 x 366 x 1372)	14.5 x 15 x 47 (442 x 457 x 1433)	32,600 (14,787)	8.3 x 5.3 x 14.8 (253 x 162 x 451)	4,900 (2,223)	4,200 (1.23)	32,000 (54,400)	25 (18.50)	2,500 (4,250)	1.5 (1.10)
121250	12 x 12 x 50 (366 x 366 x 1524)	14.5 x 15 x 52 (442 x 457 x 1585)	34,800 (15,785)	8.3 x 5.3 x 14.8 (253 x 162 x 451)	5,000 (2,268)	4,200 (1.23)	35,000 (59,500)	30 (22.50)	2,500 (4,250)	1.5 (1.10)
121255	12 x 12 x 55 (366 x 366 x 1676)	14.5 x 15 x 57 (442 x 457 x 1737)	36,900 (16,738)	8.3 x 5.3 x 14.8 (253 x 162 x 451)	5,100 (2,313)	7,800 (2.29)	38,000 (64,600)	40 (30.00)	2,800 (4,760)	1.5 (1.10)

* Specifications subject to change based on final engineering, specific applications and/or specific installations.

Side or End Mount Vertical Burner Box (Optional)



Options

Floor: .25" (.64 cm) hot roll steel plate or 3" (7.6 cm) insulated panels with cart wheel slots

End or side mounted burner box

Air impingement side wall ducts

Double doors on both ends

Chart recorder

Door-activated low-fire switch

Programmable logic controller

Stack kits

Canadian specifications

Technical Standards and Safety Authority support documentation

Low NOx burners

Electric Heat

120/220 VAC, 1Ø, 60 Hz

208/240 VAC, 3Ø, 60 Hz

Installation and startup by Rapid Engineering LLC

Shipping Configurations

Complete assemblies consisting of:

Burner box and gas manifold

Electrical control panel

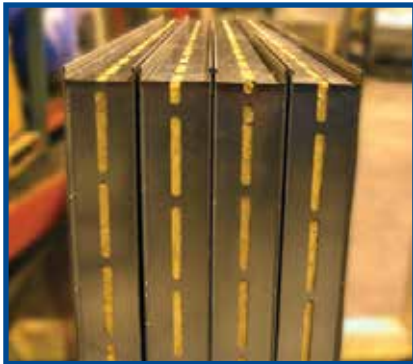
Powered exhaust fan

6" (15.2 cm) insulated panels and trim packages are palletized

Pre-fabricated doors including all hardware

Pre-fabricated, pre-formed and assembled ductwork

Fasteners, mounting hardware, as well as complete assembly, start up and operating instructions included



Insulated Oven Panels



Burner Box, Exhaust Fan and Control Panel stacked to ship

Batch Oven Applications

Pre-heating	Prepares metal, medium-density fiberboard or other substrates for the coating process.
Curing	Elevates part and coating temperatures to achieve the desired coating performance. Efficient air distribution without excessive air turbulence.
Drying Off	Drying water or moisture accumulated during the pre-treatment washing process.
Low Temperature Stress Relieving	Used to reduce internal residual stresses in a metal object by heating the object to a suitable temperature and holding at the temperature for a proper amount of time.
Out Gassing	Aids the release of gasses that are trapped or absorbed in some materials.

The RAPID® Advantage

- Quality products and reliable performance
- Project management support
- Design, manufacturing, installation and service capabilities
- Extensive experience
- Single source supply for components
- On-time and on-budget delivery

For a quote, call us at
1.800.536.3461
or send us an email at
IPFESales@rapidengineering.com

Thank You for Your Business!

Installation Code and Annual Inspections:

All installation and service of RAPID® equipment must be performed by a contractor qualified in the installation and service of industrial processing and finishing equipment and conform to all requirements set forth in the RAPID® manuals and all applicable governmental authorities (including but not limited to NFPA-86) pertaining to the installation, service, operation and labeling of the equipment. Refer to the applicable installation, service and operation manual for safety shutoff valve leak test procedure and schedule. To help facilitate optimum performance and safety, Rapid Engineering LLC recommends that a qualified contractor conduct, at a minimum, annual inspections of your RAPID® equipment and perform service where necessary, using only replacement parts sold and supplied by Rapid Engineering LLC.

Process and finishing equipment must only be used under the supervision of a trained professional and in strict accordance with all applicable government regulations and safety criteria.

Further Information: Applications, engineering and detailed guidance on systems design, installation and equipment performance is available through RAPID® representatives. Please contact us for any further information you may require, including the Installation, Operation and Service Manual.

These products are not for residential use.

This document is intended to assist licensed professionals in the exercise of their professional judgment.

Rapid Engineering LLC

1100 Seven Mile Road NW
Comstock Park, MI 49321
Telephone: +1.616.784.0500
Toll Free: 800.536.3461
Fax: +1.616.784.0435

www.rapidengineering.com