

# BANANZA

## 100% Thermal Efficient, Direct-Fired, Make-up Air Systems

For Ventilation, Heating and Curing  
in Paint Booths and Finishing Areas



## SPRAY-CURE™ B-Series

- Helps reduce cycle time and increase productivity with advanced SPRAY-CURE™ technology.
- Can facilitate improved operation and paint job quality through pressurization.
- Can meet shop space demands with array of configurations.
- Helps reduce energy costs due to 100% thermal efficiency.
- Long lasting unit provided by heavy-duty, corrosion-resistant, galvanized steel construction.
- Easy maintenance of blower, motor, drives and burners with large access panels.
- Heaters are listed to ANSI Z83.25/CSA 3.19 direct gas-fired process air heaters.

**1.800.255.3416**  
**www.bananza.com**



CANADA: 100% OUTSIDE AIR ONLY

# BANANZA® B-Series with SPRAY-CURE™

Designed for the unique needs of the finishing market, BANANZA® B-Series air handlers with SPRAY-CURE™ technology help maintain a pressurized condition in the finishing facility or paint booth. Introducing a controlled amount of fresh, tempered air, can keep dirt and debris out, helping reduce finishing time while improving productivity, operation and finishing quality.

The air handlers are sized and designed according to the exhaust rate requirements of the paint booth or finishing facility. SPRAY-CURE™ units help enhance the performance of the exhaust and filtering system. During the curing cycle, super-heated air is circulated to speed cure time and improve efficiency of the finishing process.

Air handlers utilizing recirculation, can deliver high temperatures in cure mode and aid in reduced fuel usage. Additional energy savings can be realized by the unit's 100% thermal efficiency. Proper booth pressurization in the finishing facility or paint booth, helps minimize heat loss.

| Model         |     | B-650          | B-1000         | B-2000          | B-3000          |
|---------------|-----|----------------|----------------|-----------------|-----------------|
| CFM           |     | 4,000 - 10,000 | 7,000 - 14,000 | 12,000 - 25,000 | 25,000 - 40,000 |
| Output [MBH]* | NG  | 432-800        | 456-1,404      | 1,296-2,700     | 2,700-4,320     |
|               | LPG | 346-800        | 605-1,210      | 1,037-2,160     | 2,160-3,456     |

\* 1MBH = 1,000 Btu/h. Output range indicated at maximum temperature.

## 100% Thermal Efficient in Curing of Paint, Coatings and Finishes for:

- Automotive Paint Booths
- Industrial Components and Parts Finishing
- RV, Truck, Boat/Marine Paint Booths and Buildings
- Cabinets and Woodwork Finishing and Varnishing
- Aircraft Parts Finishing and Paint Hangars
- Furniture Finishing and Varnishing



# SPRAY-CURE™ Remote Panels to Meet a Varie

A variety of pre-engineered controls help customize the BANANZA® unit's operation for a specific process.



| Remote Panel                        | Basic II (Cure)                             | Basic II (Spray)         | Digital Dual #   |
|-------------------------------------|---|--------------------------|--|
| Used for Curing Paint               | Yes   | No                       | Yes  |
| Used for Spraying Paint             | No  | Yes                      | Yes  |
| Discharge Air Temperature ° F (° C) | 120 - 170<br>(48.9 - 76.7)                  | 55 - 90<br>(12.8 - 32.2) | 60 - 90 (15.6 - 32.2)<br>80 -180 (26.7 - 82.2)                             |
|                                     | Single analog temperature selection dial.   |                          | Discharge temperature rem<br>Two temperature selection<br>digital display. |
| Fan ON/OFF Switch                   | Yes   | Yes                      | Yes  |
| Burner ON/OFF Switch                | Yes   | Yes                      | Yes  |
| Light ON/OFF Switch                 | Yes   | Yes                      | No   |
| SPRAY-CURE™ Mode Selector Switch    | No  | No                       | Yes  |
| Indicator Lights                    | Yes   | Yes                      | Yes  |
| Other Controls                      | No  | No                       | Adjustable speed controls<br>fan in spray and cure                         |
| Burner Flame                        | Modulated by discharge temp                 |                          |  |
| Nema 1 Enclosure                    | Yes   | Yes                      | Yes  |
| FAN ON/BURNER OFF Mode              | Blower can operate without burn             |                          |  |
| FAN ON/BURNER ON Mode               | Air handler operates continuously, supplyin |                          |  |
| FAN/BURNER ON - Spray Mode          | No  | Yes                      | Yes  |
| FAN/BURNER ON - Cure Mode           | Yes   | No                       | Yes  |

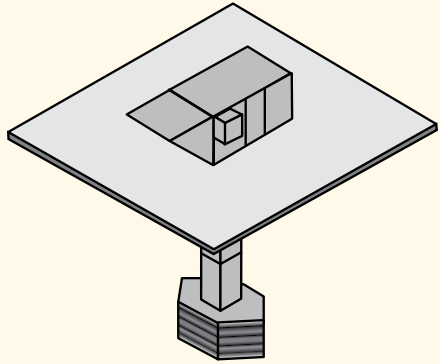
# ty of Applications

|  |  |   |  |
|--|--|---|--|
|  |  |   |  |
| <b>#1</b>  | <b>Dual #2</b>                                     | <b>Digital 60-160</b>   | <b>Deluxe Digital</b>  |
|  | Yes  | Yes   | Yes  |
|  | Yes  | Yes   | Yes  |
| ) /<br>(2)   | 55 - 90 (12.8 - 32.2) /<br>120 - 170 (48.9 - 76.7) | 60 - 160<br>(15.6 - 71.1)   | 60 - 90 (15.6 - 32.2) /<br>80 - 180 (26.7 - 82.2)  |
| ains constant as selected on temperature selection dial.             |  |   |  |
| n dials with   | Two analog temperature selection dials.            | Single temperature selection dial with digital display.   | Two temperature selection dials with digital display.  |
|  | Yes  | Yes   | Yes  |
|  | Yes  | Yes   | Yes  |
|  | Yes  | Yes   | Yes  |
|  | Yes  | No  | Yes  |
|  | Yes  | Yes   | Yes  |
| for exhaust mode.  | Adjustable purge and cure timers.                  | Adjustable speed control for exhaust fan and booth pressure gauge. Optional: burner lockout indicator light, remote reset push button and check filter indicator light. | Adjustable speed controls for exhaust fan in spray and cure mode and booth pressure gauge. Adjustable timers for purge, cure and cool down. Optional: burner lockout indicator light, remote reset push button and check filter indicator light. |
| emperature control, governed by remote temperature selector.         |  |   |  |
|  | Yes  | Yes   | Yes  |
| er. Air handler operates continuously, supplying make-up air.        |  |   |  |
| g heated make-up air and maintaining constant discharge temperature. |  |   |  |
|  | Yes  | Yes   | Yes  |
|  | Yes  | Yes   | Yes  |

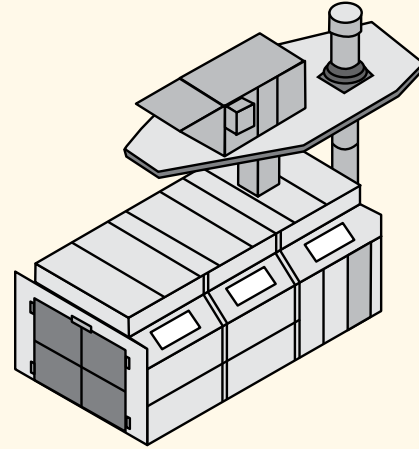
# Installation Options

BANANZA® B-Series air handlers with SPRAY-CURE™ technology are available in flexible configurations, helping allow for mating to various finishing facilities or paint booths. Units can be mounted indoors or outdoors (building rooftop or side wall locations) and can be used with down draft, semi-down draft and cross draft spray booths. These units can be ideal for retrofit and replacement of old or inefficient units. Paint prep stations can also utilize direct-fired make-up air.

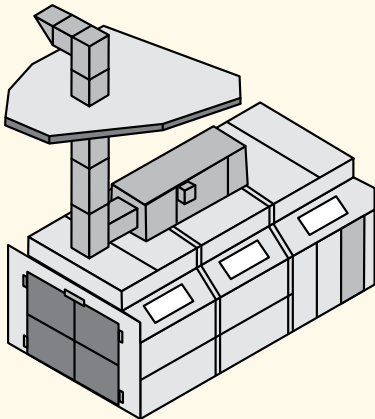
Roof Mounted, Horizontal, Bottom Discharge



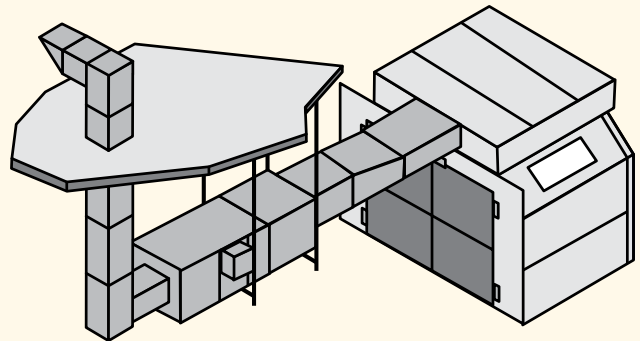
Roof Mounted, Horizontal, Bottom Discharge



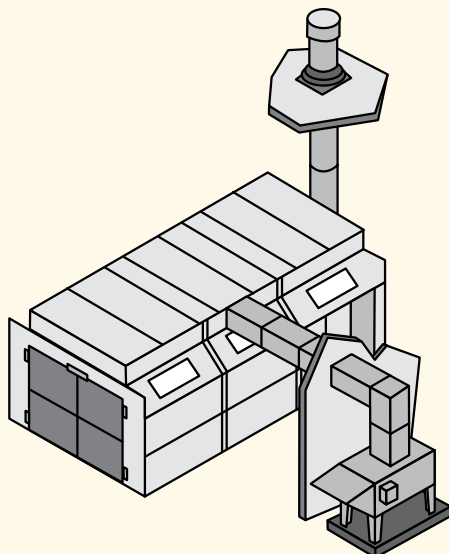
Booth Mounted, Horizontal, Bottom Discharge



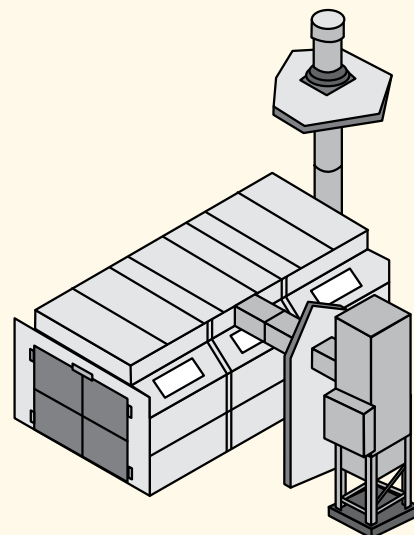
Ceiling Suspended, Horizontal, End Discharge



Pad Mounted, Horizontal, Top Discharge



Pad Mounted, Upright, Side Discharge





# Thank you for your business!

---

## **Installation Code and Annual Inspections:**

All installation and service of BANANZA® equipment must be performed by a contractor qualified in the installation and service of equipment sold and supplied by Bananza and conform to all requirements set forth in the BANANZA® manuals and all applicable governmental authorities pertaining to the installation, service, operation and labeling of the equipment. To help facilitate optimum performance and safety, Bananza recommends that a qualified contractor conduct, at a minimum annual inspections your BANANZA® equipment and perform service where necessary, using only replacement parts sold and supplied by Bananza.

**Further Information:** Applications, engineering and detailed guidance on systems design, installation and equipment performance is available through BANANZA® representatives. Please contact us for any further information you may require, including the Installation, Operation and Service Manual.

**This product is not for residential use.**

**This document is intended to assist licensed professionals in the exercise of their professional judgment.**

## **Bananza**

1100 Seven Mile Road NW  
Comstock Park, MI 49321  
Telephone: +1.616.726.8800  
Toll Free: 800.255.3416  
Fax: +1.616.784.0435

**[www.bananza.com](http://www.bananza.com)**