

# **BANANZA**

**Air Handlers  
Direct-Fired Heating • Pressurization**



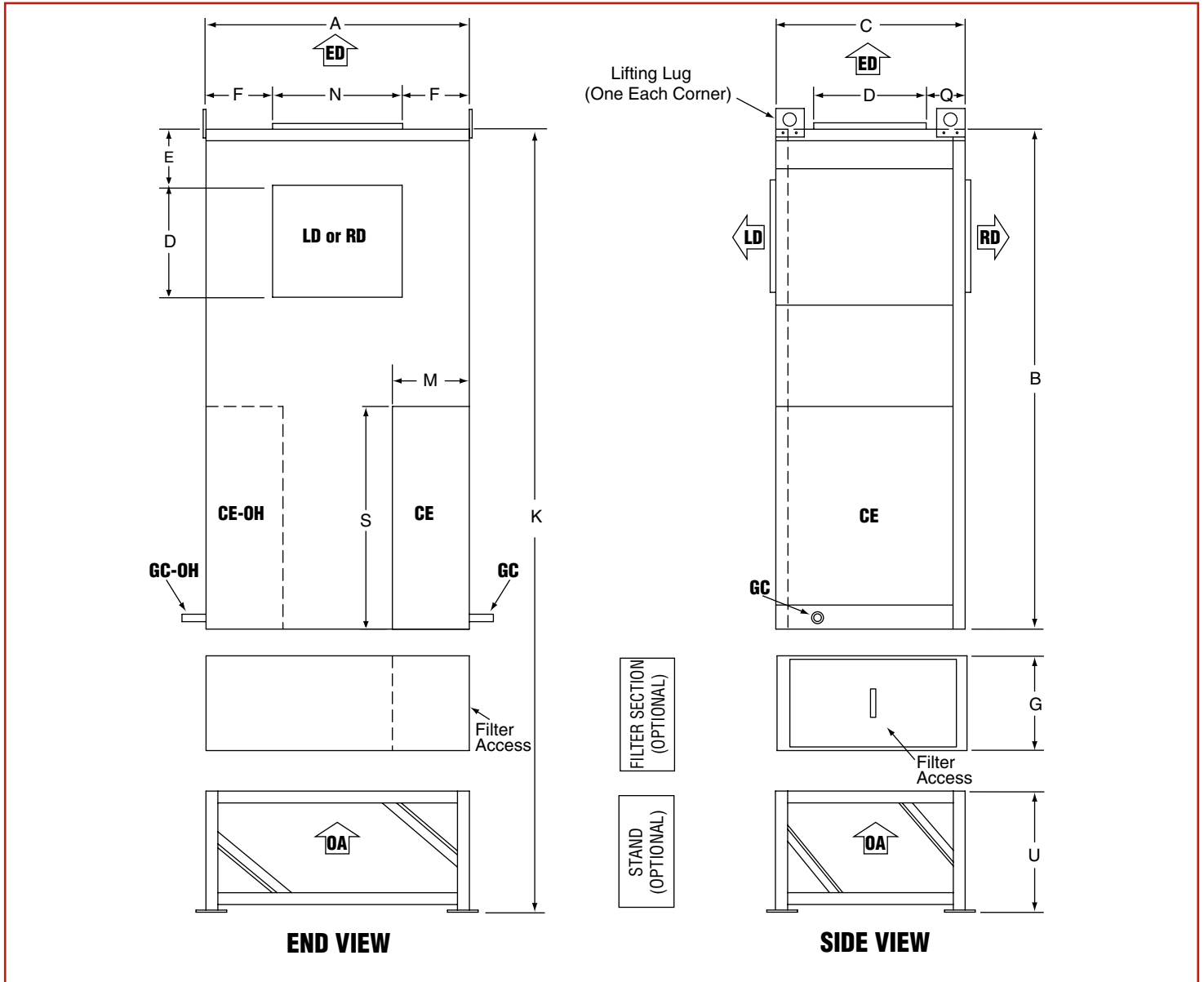
**B-Series  
Dimension and Selection Guide**

**1.800.255.3416  
www.bananza.com**



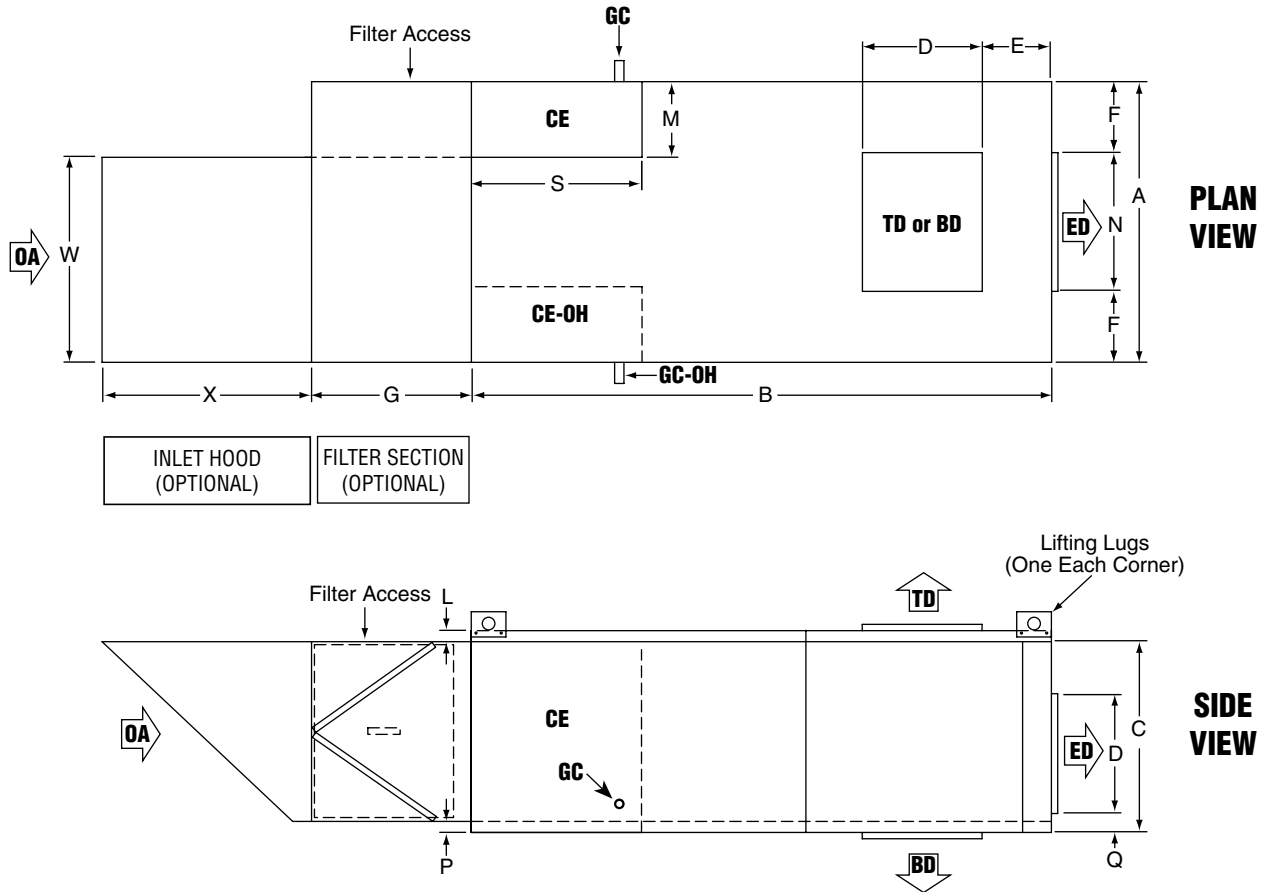
CANADA: 100% OUTSIDE AIR ONLY

# B-350 Upright Model



MODEL		CFM	A	B	C	D	E	F	G	K	L	M	N	P	Q	S	U	W	X
B-350	(in)	1,000 - 3,000	32.3	60.3	28.3	10.4	6.8	11.5	270	117.3	1.5	8.0	9.3	1.8	3.1	35.2	30.0	25.0	38.4
	(cm)		82.1	153.2	71.9	26.4	17.3	29.2	68.6	297.9	3.8	20.3	23.6	4.6	7.9	89.4	76.2	63.5	97.5
	(in)	4,000	32.3	60.3	28.3	13.8	7.6	8.2	270	117.3	1.5	8.0	15.8	1.8	3.1	35.2	30.0	25.0	38.4
	(cm)		82.1	153.2	71.9	35.1	19.3	20.8	68.6	297.9	3.8	20.3	40.1	4.6	7.9	89.4	76.2	63.5	97.5

# B-350 Horizontal Model



## ESTIMATED SHIPPING WEIGHTS - MOTORS

SIZE	HP kW	2 1.5	3 2.2	5 3.7	7.5 5.6	10 7.5	15 11.2	20 14.9	25 18.6	30 22.4	40 30.0	50 37.0
ODP	(lb) (kg)	58 26.3	69 31.3	77 34.9	120 54.4	164 74.4	231 104.8	269 122.0	339 153.8	398 180.5	608 275.8	629 285.3
TEFC	(lb) (kg)	90 40.8	135 61.2	133 60.3	200 90.7	219 99.3	316 143.3	395 179.2	510 231.3	545 247.2	710 322.1	795 360.6

## ESTIMATED SHIPPING WEIGHTS

MODEL		AIR HANDLER	SKID
B-350	(lb) (kg)	450.0 204.1	50.0 22.7

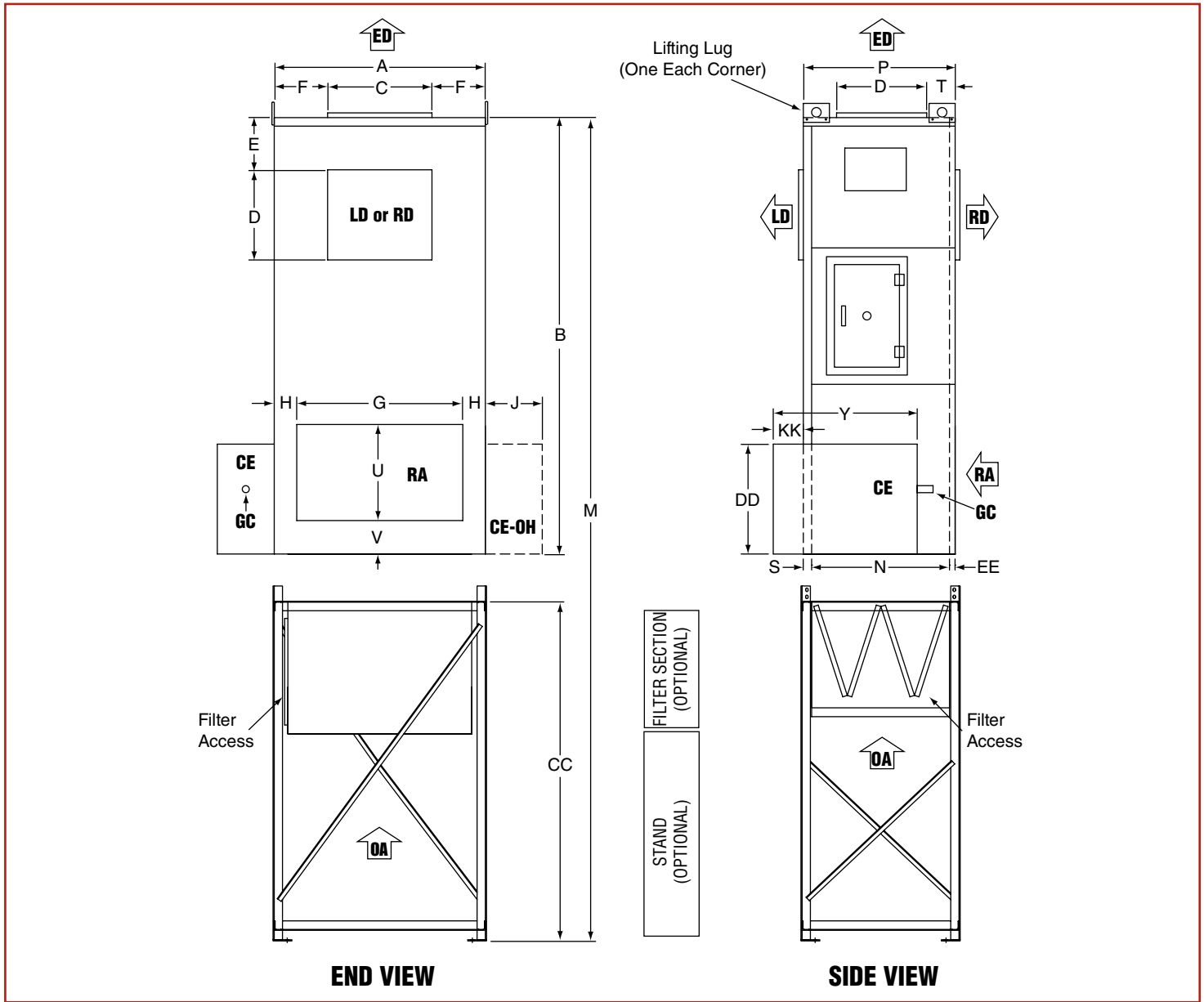
## LEGEND

<b>BD</b> = Bottom Discharge	<b>OA</b> = Outside Air
<b>CE</b> = Control Enclosure	<b>RD</b> = Right Discharge
<b>GC</b> = Gas Connection	<b>TD</b> = Top Discharge
<b>ED</b> = End Discharge	<b>OH</b> = Opposite Hand
<b>LD</b> = Left Discharge	

## IMPORTANT NOTES:

- Shipping weights apply to both horizontal and upright models.
- All dimensions and weights are subject to change without notice.
- Outdoor air duct size varies. Consult factory.
- Control enclosure is located on left side of air handler when looking downstream into inlet end.

# B-650, B-1000, B-2000 & B-3000 Upright Model



DIMENSIONS																						
MODEL	A	B	C	D	E	F	G	H	J	M	N	P	Q	R	S	T	U	V	W	Y	Z	
B-650/ B-1000	(in) (cm)	44.2 112.3	92.3 234.4	22.0 55.9	19.0 48.3	10.5 26.7	11.1 28.2	37.9 96.3	3.2 8.1	14.0 35.6	* *	29.6 75.2	32.7 83.1	48.1 122.2	35.1 89.2	1.6 4.1	3.0 7.6	10.0 25.4	3.4 8.6	56.4 143.2	37.2 94.5	34.0 86.3
B-2000	(in) (cm)	56.0 142.2	116.2 295.1	31.5 80.0	31.5 80.0	13.8 35.0	12.3 31.2	44.3 112.5	6.0 15.2	17.0 43.2	188.2 477.8	52.6 133.6	56.1 142.5	69.6 176.8	23.3 59.2	1.5 3.8	3.9 9.9	26.5 67.3	6.0 15.2	89.3 226.8	44.0 111.8	31.0 78.7
B-3000	(in) (cm)	68.0 172.7	116.2 295.1	36.8 93.5	36.8 93.5	17.0 43.2	15.6 39.6	56.3 143.0	6.0 15.2	17.0 43.2	188.2 477.8	56.6 143.8	60.1 152.7	69.6 176.8	23.3 59.2	1.5 3.8	3.9 9.9	30.5 77.5	6.0 15.2	86.9 220.7	44.0 111.8	31.0 78.7

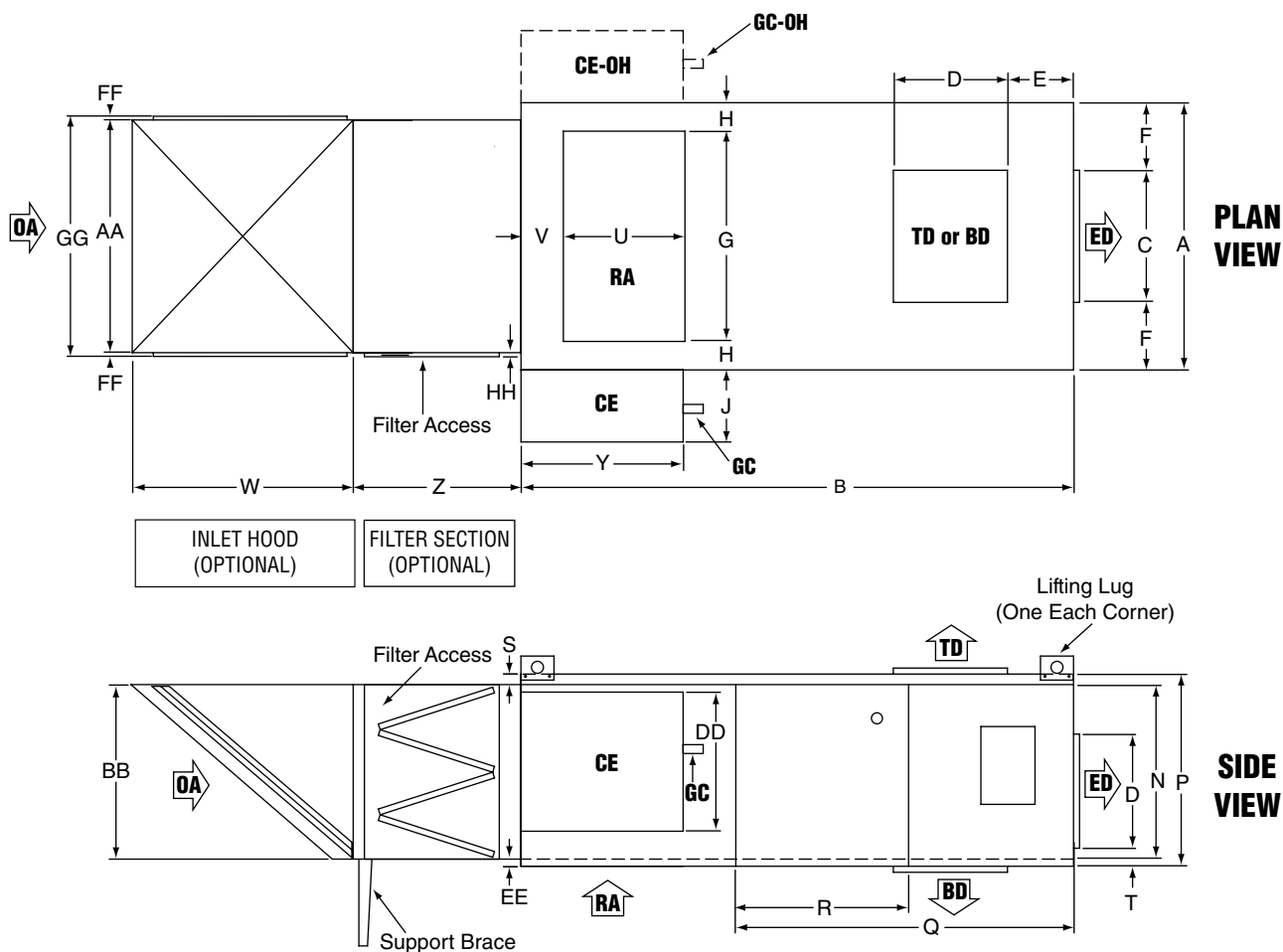
\*\*Refer to M\* in stand chart below.

DIMENSIONS										
MODEL	AA	BB	CC	DD	EE	FF	GG	HH	KK	
B-650/ B-1000	(in) (cm)	38.8 98.6	29.0 73.7	** **	28.6 72.6	1.5 3.8	1.1 2.8	41.0 104.1	0.5 1.3	6.5 16.5
B-2000	(in) (cm)	49.7 126.2	52.8 134.1	72.0 182.9	33.0 83.8	2.0 5.1	1.1 2.8	52.0 132.1	0.4 1.0	N/A
B-3000	(in) (cm)	64.1 162.8	56.8 144.3	72.0 182.9	33.0 83.8	2.0 5.1	1.1 2.8	66.4 168.7	0.4 1.0	N/A

\*\*Refer to CC\*\* in stand chart to the right.

DIMENSIONS			
MODEL	M*	HEIGHT CC**	
B-650/ B-1000	(in) (cm)	145.3 369.1	53.0 134.6
	(in) (cm)	164.3 417.3	72.0 182.9

# B-650, B-1000, B-2000 & B-3000 Horizontal Model



## ESTIMATED SHIPPING WEIGHTS - MOTORS

SIZE	HP kW	2 1.5	3 2.2	5 3.7	7.5 5.6	10 7.5	15 11.2	20 14.9	25 18.6	30 22.4	40 30.0	50 37.0
ODP	(lb)	58	69	77	120	164	231	269	339	398	608	629
	(kg)	26.3	31.3	34.9	54.4	74.4	104.8	122.0	153.8	180.5	275.8	285.3
TEFC	(lb)	90	135	133	200	219	316	395	510	545	710	795
	(kg)	40.8	61.2	60.3	90.7	99.3	143.3	179.2	231.3	247.2	322.1	360.6

## ESTIMATED SHIPPING WEIGHTS

MODEL		AIR HANDLER	SKID
B-650/ B-1000	(lb)	700.0	140.0
	(kg)	317.5	63.5
B-2000	(lb)	1,400.0	340.0
	(kg)	638.0	154.2
B-3000	(lb)	1,650.0	365.0
	(kg)	748.4	165.6

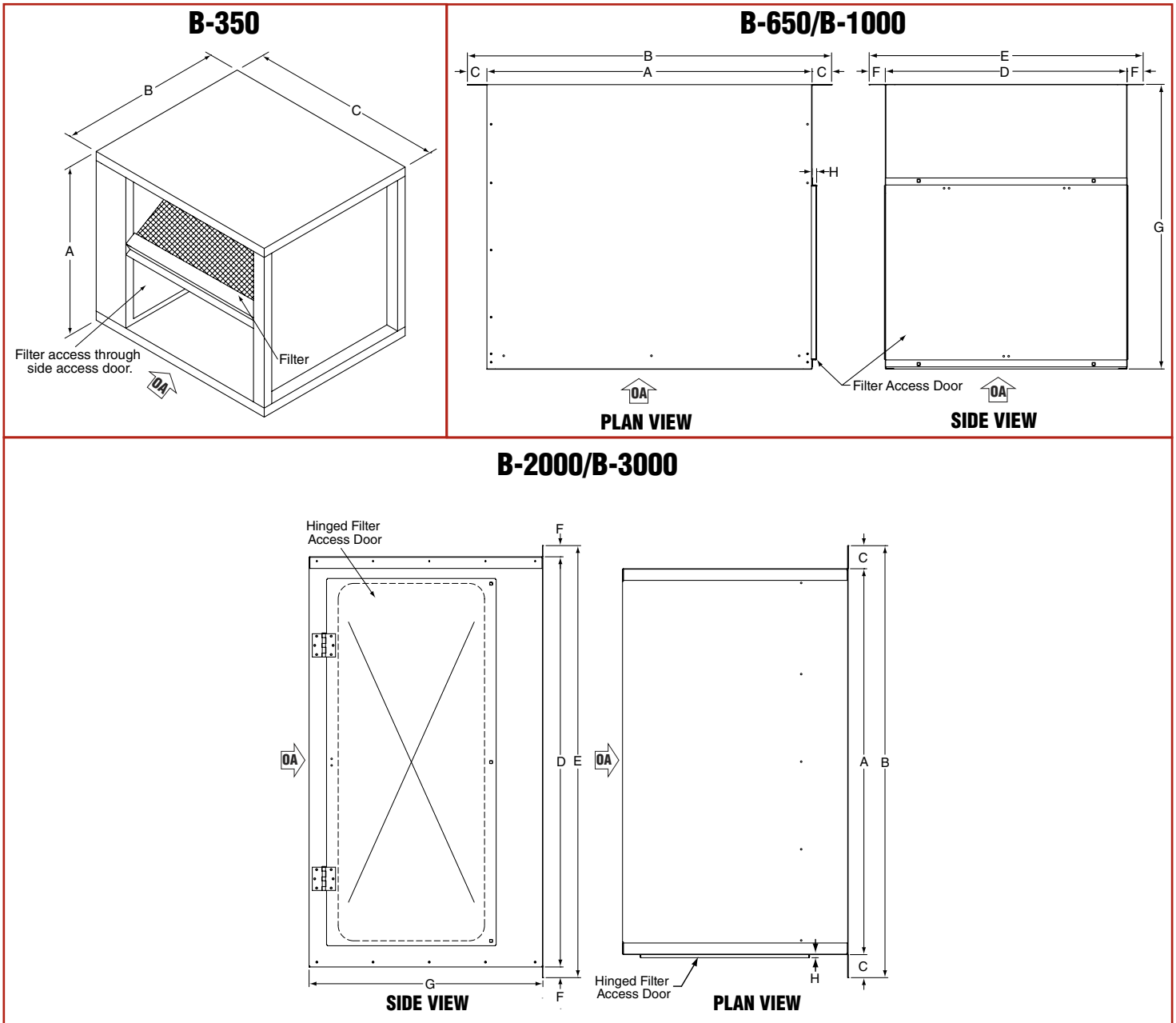
## IMPORTANT NOTES:

- Shipping weights apply to both horizontal and upright models.
- All dimensions and weights are subject to change without notice.
- Outdoor air duct size varies. Consult factory.
- Support brace required on horizontal units only if both filter section and inlet hood are required. Support brace provided by factory.
- Control enclosure is located on right side of air handler when looking downstream into inlet end.
- Return Air (RA) is only for Fixed Recirculation (FR) and Air Management (AM) styles.

### LEGEND

<b>BD</b> = Bottom Discharge	<b>OA</b> = Outside Air
<b>CE</b> = Control Enclosure	<b>RA</b> = Return Air (Optional)
<b>GC</b> = Gas Connection	<b>RD</b> = Right Discharge
<b>ED</b> = End Discharge	<b>TD</b> = Top Discharge
<b>LD</b> = Left Discharge	<b>OH</b> = Opposite Hand

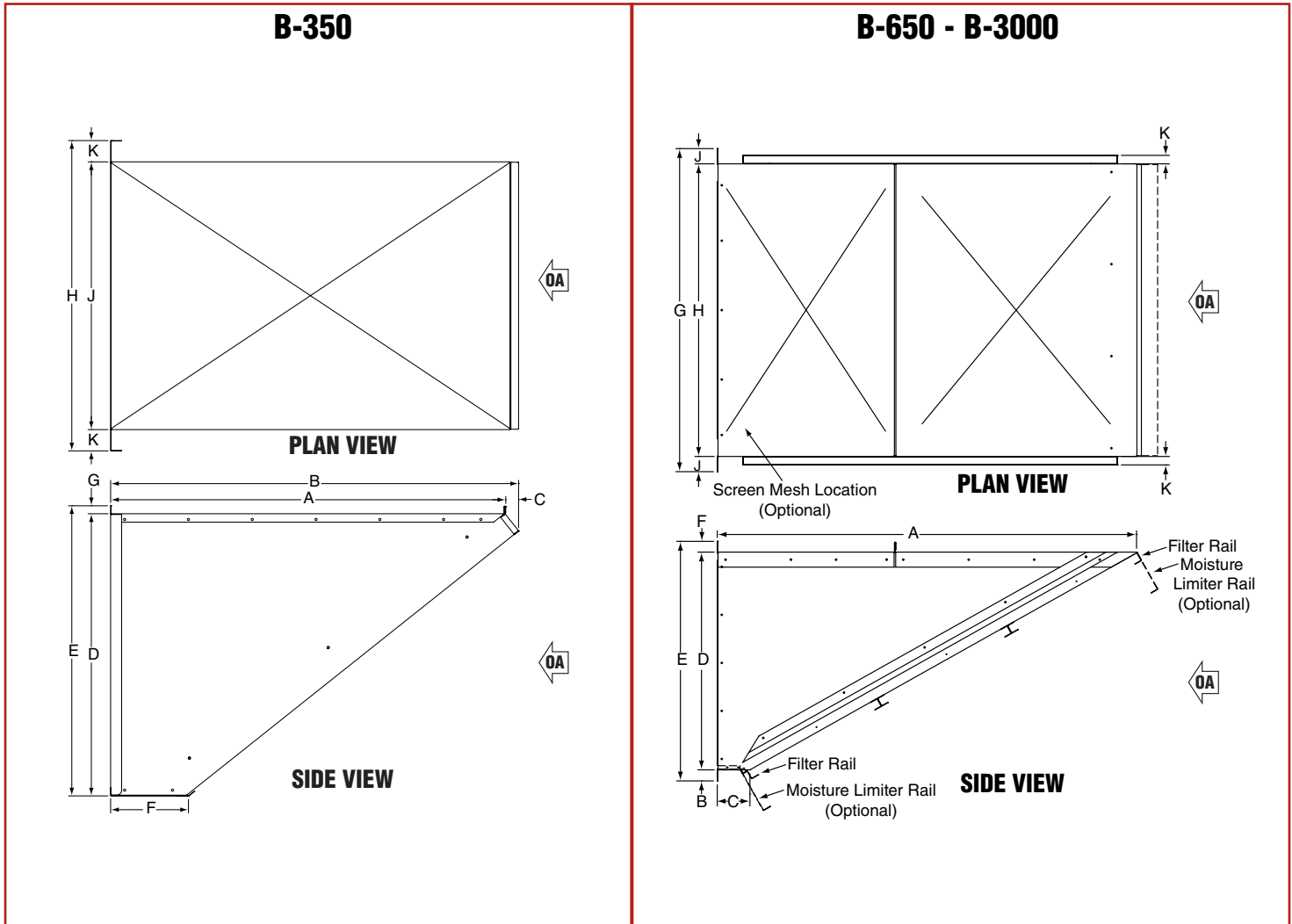
# Filter Sections



## IMPORTANT NOTES:

- Models B-650 - B-3000 filter section is shipped unassembled.
- Models B-350 filter section is shipped assembled.

DIMENSIONS		FILTERS												WEIGHT	
		PERMANENT ALUMINUM MESH						DISPOSABLE POLYESTER							
MODEL		A	B	C	D	E	F	G	H	SIZE	QTY	SIZE	QTY	lbs	kg
B-350	(in) (cm)	28.3 71.9	27.0 68.6	32.3 82.1	N/A	N/A	N/A	N/A	N/A	20 x 25 x 2 50.8 x 63.5 x 5.1	2	20 x 50 x 1 50.8 x 127 x 2.5	1	100.0	45.4
B-650/B-1000	(in) (cm)	38.8 98.6	43.4 110.2	2.3 5.9	28.8 73.2	32.7 83.1	1.9 4.9	34.0 86.3	0.5 1.3	20 x 20 x 1 50.8 x 50.8 x 2.5	8	20 x 40 x 1 50.8 x 101.6 x 2.5	4	100.0	45.4
B-2000	(in) (cm)	49.7 126.2	55.7 141.5	3.0 7.6	52.8 134.1	55.7 141.5	1.4 3.6	31.0 78.7	0.4 1.0	20 x 25 x 1 50.8 x 63.5 x 2.5	12	20 x 50 x 1 50.8 x 127 x 2.5	6	220.0	99.8
B-3000	(in) (cm)	64.1 162.8	68.3 173.5	2.1 5.3	56.8 144.3	60.7 154.2	1.9 4.8	31.0 78.7	0.4 1.0	20 x 20 x 1 & 20 x 25 x 1 50.8 x 50.8 x 2.5 & 50.8 x 63.5 x 2.5	16 & 8	20 x 60 x 1 50.8 x 152.4 x 2.5	8	270.0	122.5

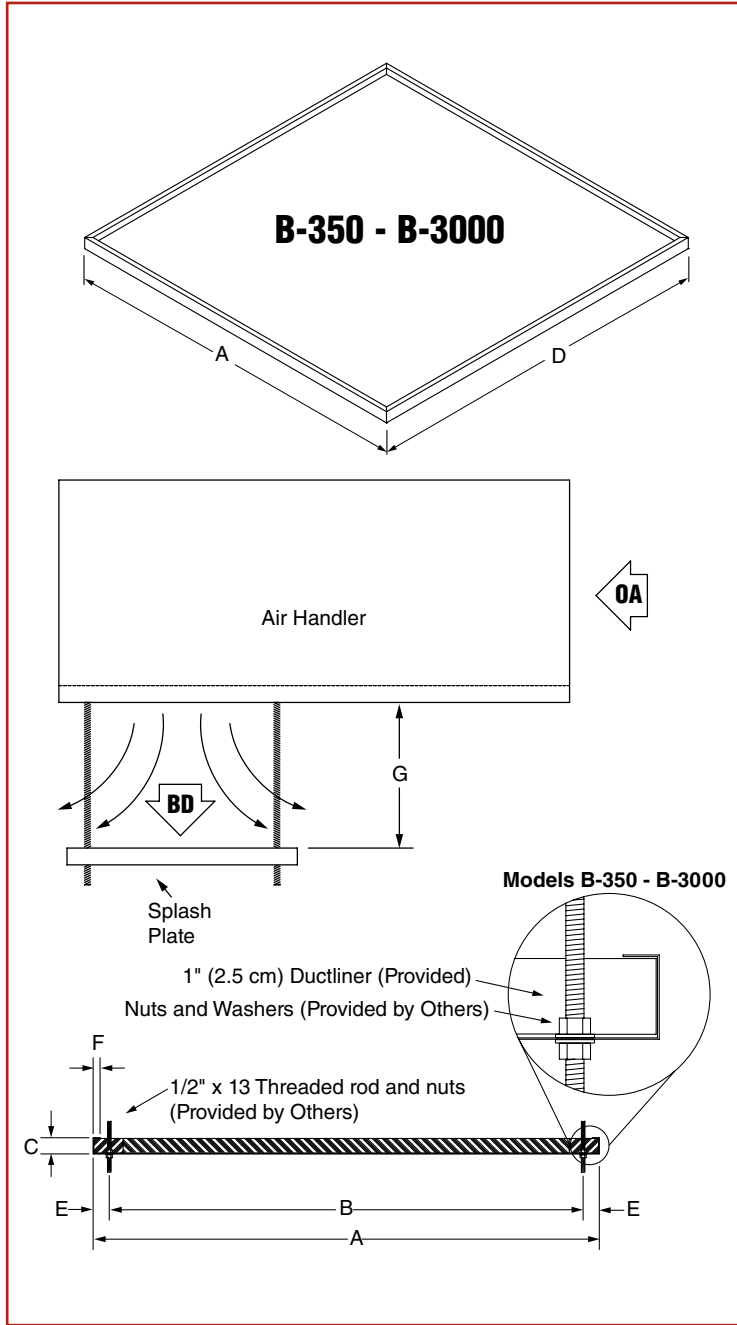


## IMPORTANT NOTES:

- Inlet hood also available with screen mesh, no filters. Weight equals filtered variation. Screen location varies by model.
- Inlet hood is shipped unassembled.

DIMENSIONS											PERMANENT ALUMINUM MESH FILTERS		WEIGHT		MOISTURE LIMITER		WEIGHT		
MODEL	A	B	C	D	E	F	G	H	J	K	SIZE	QTY	LBS	KG	SIZE	QTY	LBS	KG	
B-350	(in) (cm)	37.2 94.5	38.4 97.5	1.2 3.0	26.4 67.1	27.3 69.3	7.3 18.5	0.9 2.3	29.2 74.2	25.0 63.5	2.1 5.3	20 x 25 x 2 50.8 x 63.5 x 5.1	2	60.0	27.2	N/A	N/A	N/A	N/A
B-650/ B-1000	(in) (cm)	56.4 143.2	1.5 3.8	4.3 10.9	29.0 73.7	31.9 81.0	1.4 3.6	43.0 109.0	38.8 98.6	2.0 5.1	1.1 2.8	20 x 20 x 1 50.8 x 50.8 x 2.5	6	110.0	49.9	12 x 60 x 5.5 30.5 x 152.4 x 14.0	3	120.0	54.4
B-2000	(in) (cm)	89.3 226.8	1.3 3.3	5.0 12.7	52.8 134.1	55.3 140.5	1.3 3.3	52.1 132.3	49.7 126.2	1.2 3.0	1.1 2.8	20 x 25 x 1 50.8 x 63.5 x 2.5	10	190.0	86.2	12 x 96 x 5.5 30.5 x 243.8 x 14.0	4	210.0	95.3
B-3000	(in) (cm)	86.9 220.7	1.3 3.3	4.7 11.9	56.8 144.3	59.3 150.6	1.3 3.3	66.8 169.7	64.1 162.8	1.3 3.3	1.1 2.8	20 x 20 x 1 & 20 x 25 x 1 50.8 x 50.8 x 2.5 & 50.8 x 63.5 x 2.5	10 & 5	240.0	108.9	12 x 96 x 5.5 30.5 x 243.8 x 14.0	5	260.0	117.9

# Splash Plates

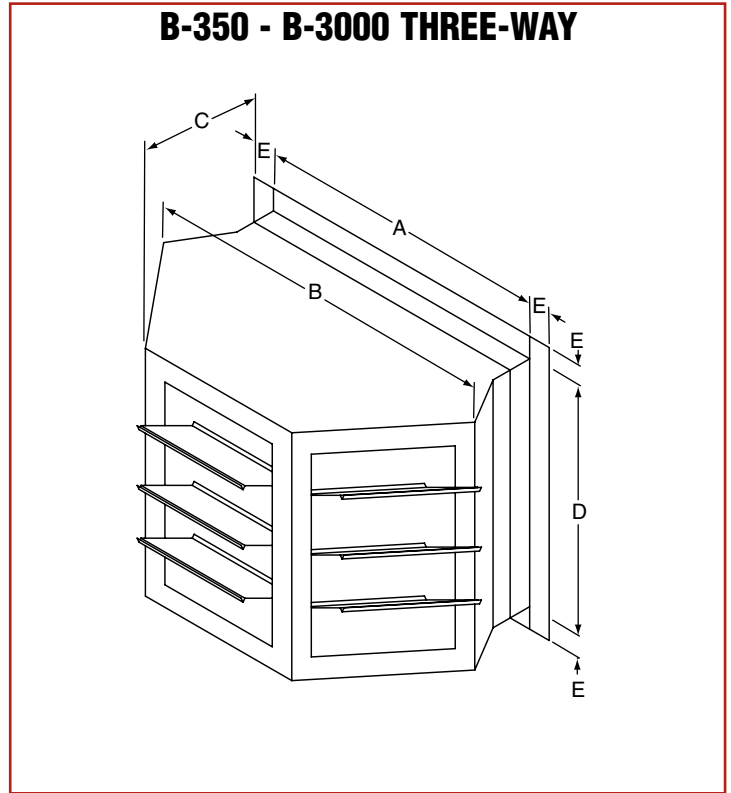


## IMPORTANT NOTES:

- B-350 - B-3000 require four threaded rods.

DIMENSIONS											WEIGHT	
MODEL		A	B	C	D	E	F	G (min)	G (max)	H	lbs	kg
B-350	(in) (cm)	22.0 55.9	19.5 49.5	0.9 2.2	25.0 63.5	1.3 3.2	0.6 1.6	15.0 38.1	20.0 50.8	N/A	20.0	9.1
B-650/ B-1000	(in) (cm)	44.0 111.8	41.5 105.4	0.9 2.2	44.0 111.8	1.3 3.2	0.6 1.6	18.0 47.5	27.0 68.6	N/A	40.0	18.1
B-2000	(in) (cm)	54.8 139.1	51.3 130.2	1.8 4.4	54.8 139.1	1.8 4.4	0.8 2.0	25.0 63.5	38.0 96.5	N/A	60.0	27.2
B-3000	(in) (cm)	54.8 139.1	51.3 130.2	1.8 4.4	54.8 139.1	1.8 4.4	0.8 2.0	30.0 76.2	45.0 114.3	N/A	60.0	27.2

# Discharge Heads



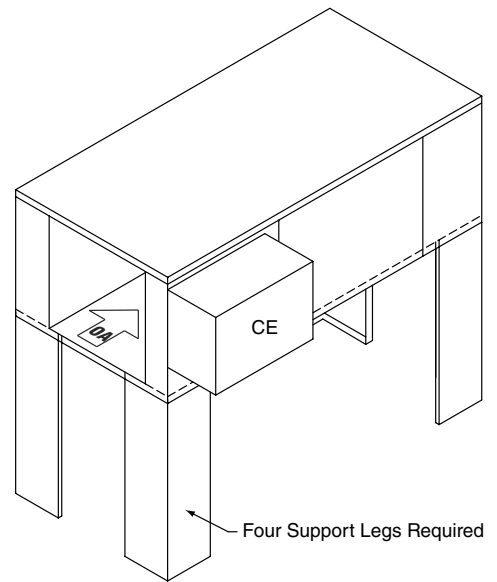
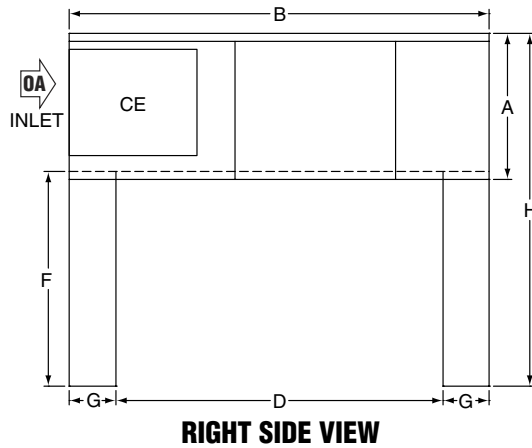
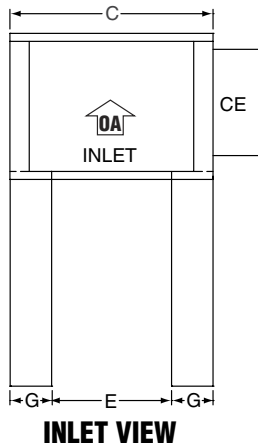
DIMENSIONS							WEIGHT	
MODEL		A	B	C	D	E	lbs	kg
B-350	(in) (cm)	19.0 48.3	40.8 103.5	23.8 60.3	21.0 53.3	2.0 5.1	50.0	22.7
B-650/B-1000	(in) (cm)	22.4 56.9	40.8 103.5	24.0 61.0	19.4 49.3	2.0 5.1	80.0	36.3
B-2000	(in) (cm)	31.9 81.0	43.3 109.9	21.5 54.6	33.9 86.1	2.0 5.1	120.0	54.4
B-3000	(in) (cm)	36.9 93.7	48.3 122.6	22.5 57.2	36.9 93.7	2.0 5.1	160.0	72.6

## IMPORTANT NOTES:

- Discharge head must be field supported by others.
- Discharge head has manually adjustable horizontal blades.



## B-350 - B-3000



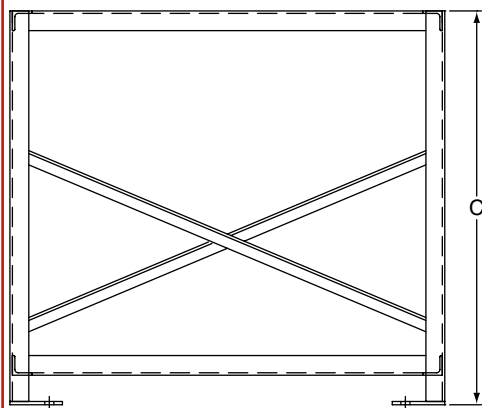
DIMENSIONS										WEIGHT (EACH LEG)	
MODEL		A	B	C	D	E	F	G	H	lbs	kg
B-350 (See Note)	(in)	28.3	60.3	32.3	31.1	3.1	46.0	14.6	72.5	26.0	11.8
	(cm)	71.9	153.2	82.0	79.0	7.9	116.8	37.1	184.2		
B-650/B-1000	(in)	32.7	92.3	44.2	63.1	15.0	46.0	14.6	77.2	26.0	11.8
	(cm)	83.1	234.4	112.3	160.3	38.1	116.8	37.1	196.1		
B-2000	(in)	56.1	116.1	56.0	86.9	26.8	46.0	14.6	100.1	26.0	11.8
	(cm)	142.5	294.9	142.2	220.7	68.1	116.8	37.1	254.3		
B-3000	(in)	60.1	116.1	68.0	96.9	38.8	46.0	14.6	104.1	26.0	11.8
	(cm)	152.7	294.9	172.7	220.7	98.6	116.8	37.1	264.4		

### IMPORTANT NOTES:

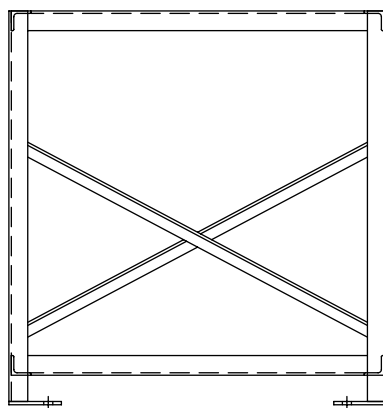
- B-350 control enclosure is located on left side of air handler when looking downstream of inlet end.

# Stands

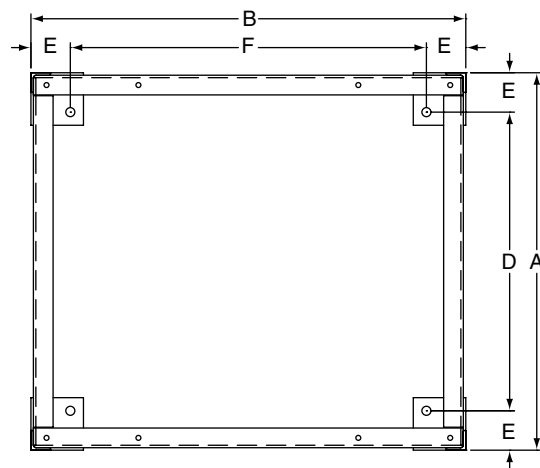
## B-350 30" STAND



FRONT VIEW



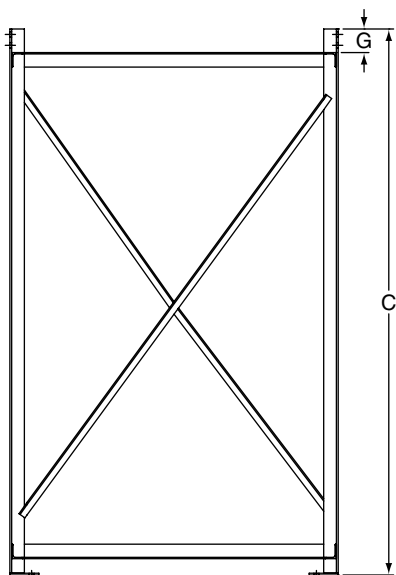
SIDE VIEW



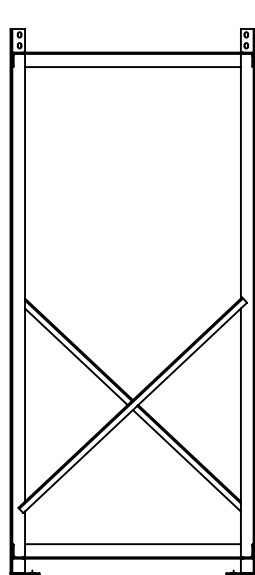
PLAN VIEW

DIMENSIONS								WEIGHT	
MODEL		A	B	C	D	E	F	lbs	kg
B-350	(in)	28.8	33.1	30.0	22.8	3.0	27.1	75.0	34.0
	(cm)	73.0	84.1	76.2	57.8	7.6	68.9		

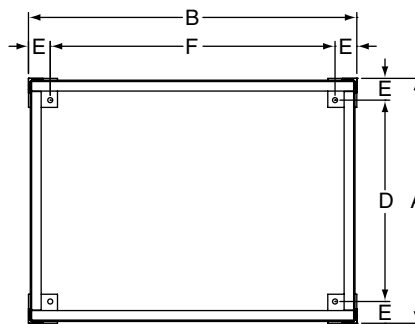
## B-650 - B-3000 53"/72" STAND



FRONT VIEW



SIDE VIEW



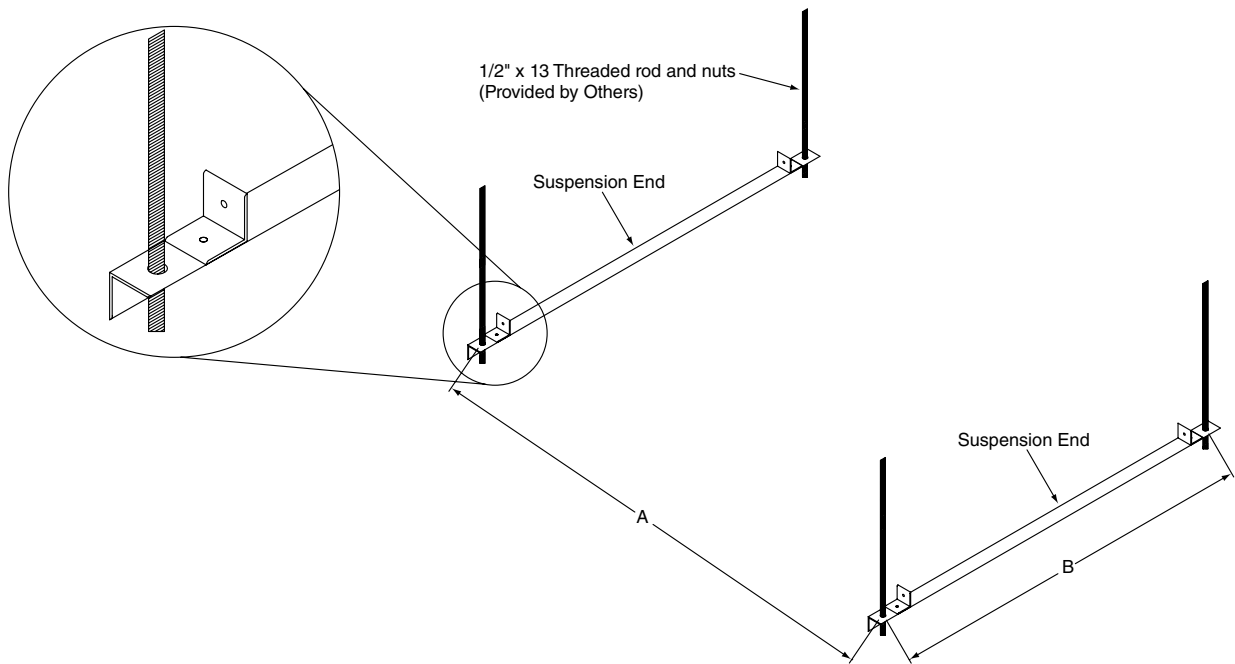
PLAN VIEW

DIMENSIONS								WEIGHT		
MODEL		A	B	C	D	E	F	G	lbs	kg
B-650/B-1000 (53")	(in)	33.8	45.3	56.3	27.8	3.0	39.3	3.3	160.0	72.6
	(cm)	85.7	114.9	142.9	70.5	7.6	99.7	8.3		
B-650/B-1000 (72")	(in)	33.8	45.3	75.3	27.8	3.0	32.5	3.3	190.0	86.2
	(cm)	85.7	114.9	191.1	70.5	7.6	82.6	8.3		
B-2000	(in)	57.5	57.5	75.3	51.1	3.0	51.5	3.3	230.0	104.3
	(cm)	146.1	146.1	191.1	129.8	7.6	130.8	8.3		
B-3000	(in)	69.5	61.8	75.3	63.5	3.0	55.8	3.3	300.0	136.1
	(cm)	176.5	156.8	191.1	161.3	7.6	141.6	8.3		

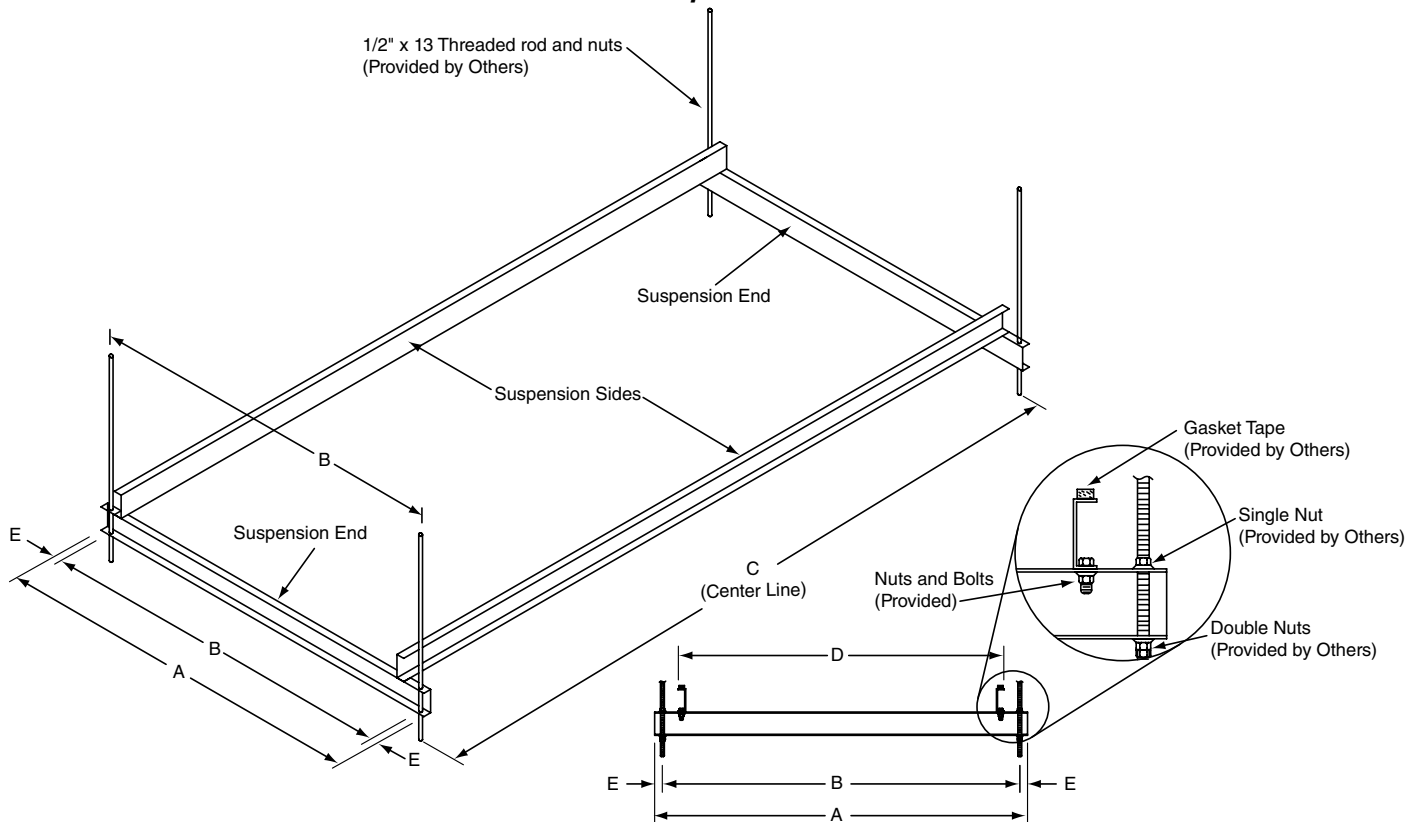
### IMPORTANT NOTES:

- 1/4" angle iron construction.

## B-350



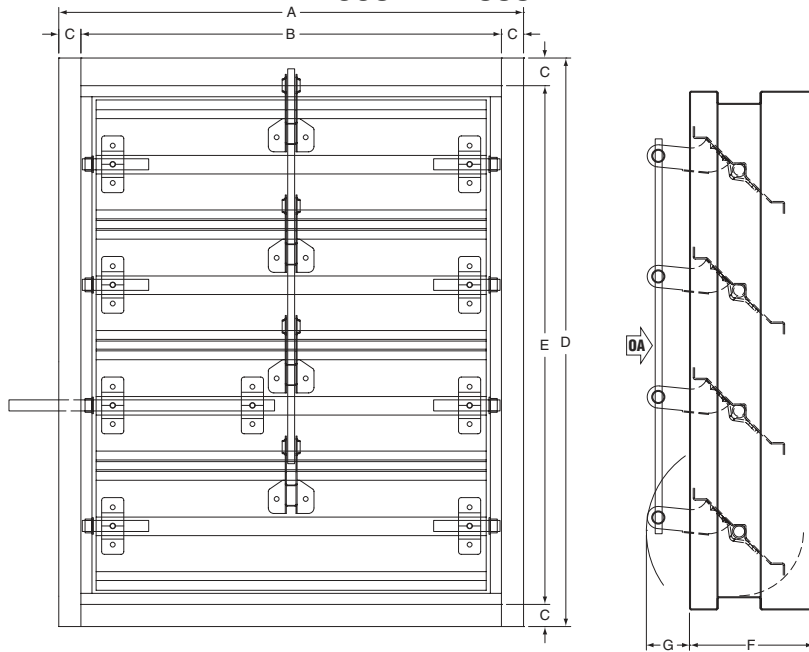
## B-650/B-1000



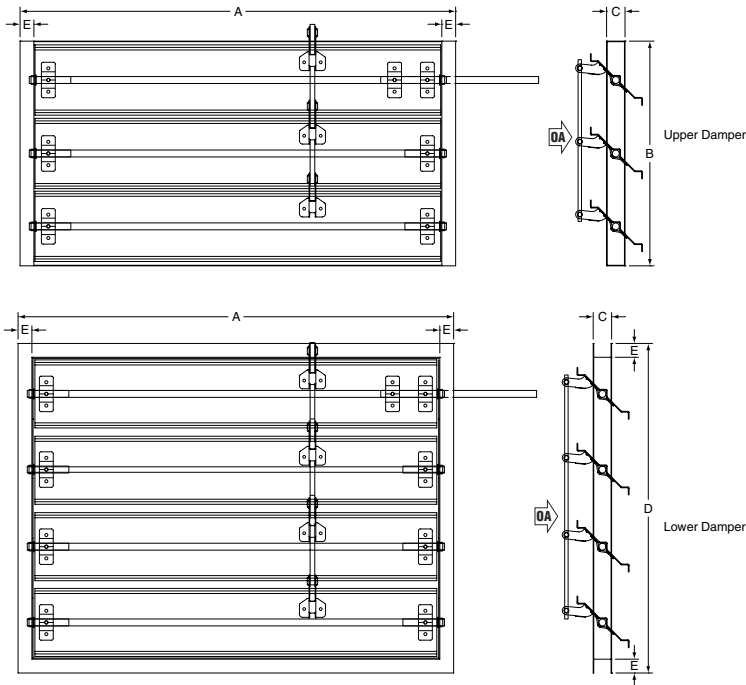
DIMENSIONS							WEIGHT	
MODEL		A	B	C	D	E	lbs	kg
B-350	(in)	59.3	36.5	N/A	N/A	N/A	13.0	5.9
	(cm)	73.0	84.1					
B-650/B-1000	(in)	48.0	46.0	90.0	42.0	1.0	140.0	63.5
	(cm)	121.9	116.8	228.6	106.7	2.5		

# Inlet Dampers

## B-350 - B-1000



## B-2000 / B-3000



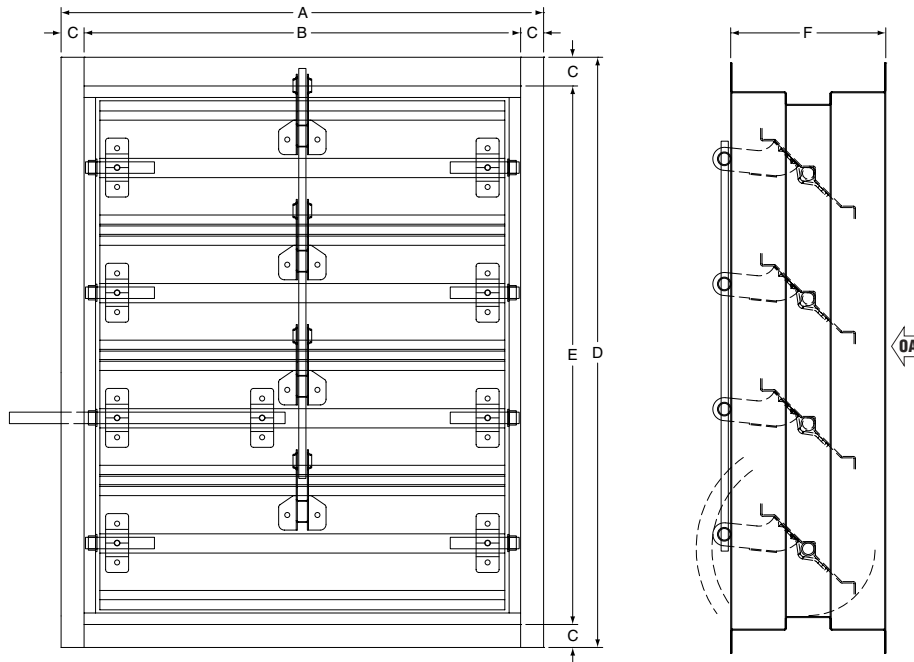
MODEL	DAMPER	WEIGHT*	
		lbs	kg
B-2000	UPPER	34.0	15.4
	LOWER	41.0	18.6
B-3000	UPPER	46.0	20.9
	LOWER	61.0	27.7

### DIMENSIONS

MODEL	DIMENSIONS								WEIGHT	
		A	B	C	D	E	F	G	lbs	kg
B-350	(in)	21.0	19.0	1.3	25.7	23.4	5.0	3.3	40.0	18.1
	(cm)	53.3	48.3	3.3	65.2	59.5	12.7	8.3		
B-650/ B-1000	(in)	33.3	30.8	1.3	29.0	26.3	5.0	3.3	60.0	27.2
	(cm)	84.5	78.1	3.2	73.7	66.7	12.7	8.3		
B-2000	(in)	47.3	24.4	2.0	29.5	1.5	N/A	N/A	*	*
	(cm)	120.0	63.0	5.1	74.9	3.8				
B-3000	(in)	59.3	24.4	2.0	33.5	1.5	N/A	N/A	*	*
	(cm)	150.6	63.0	5.1	85.1	3.8				

\*Refer to chart above for B-2000 and B-3000 weights.

## B-350 - B-3000

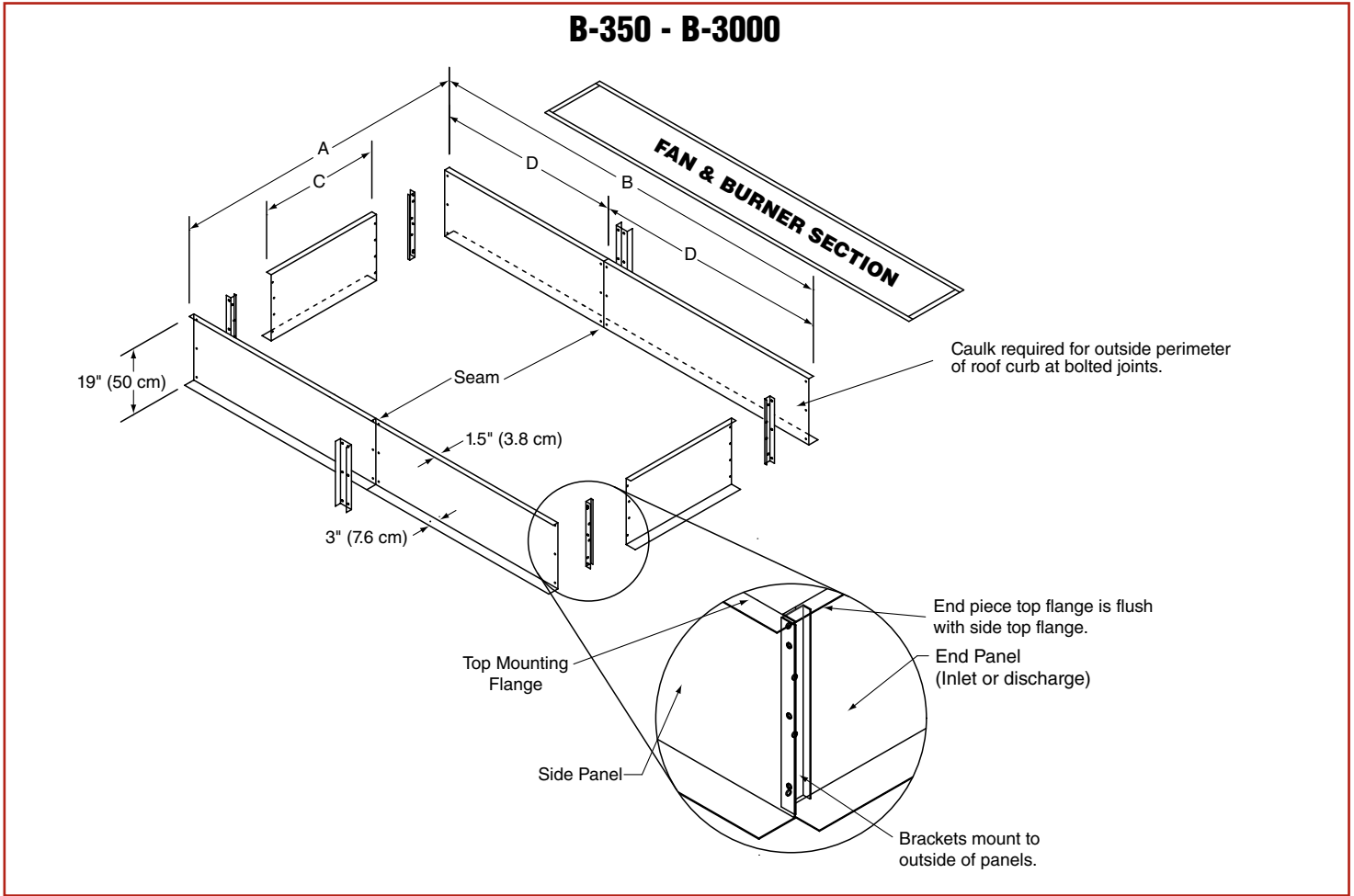


MODEL		DIMENSIONS						WEIGHT	
		A	B	C	D	E	F	lbs	kg
B-350	(in)	21.0	19.0	1.0	19.0	17.0	9.0	40.0	18.1
	(cm)	53.3	48.3	2.5	48.3	43.2	22.9		
B-650/ B-1000	(in)	27.0	25.0	1.0	23.5	21.5	8.0	60.0	27.2
	(cm)	68.6	63.5	2.5	59.7	54.6	20.3		
B-2000	(in)	37.0	34.0	1.5	36.0	33.0	10.0	100.0	45.4
	(cm)	94.0	86.4	3.8	42.0	83.8	25.4		
B-3000	(in)	42.0	39.0	1.5	42.0	39.0	10.0	150.0	68.0
	(cm)	106.7	99.1	3.8	106.7	99.1	25.4		

### IMPORTANT NOTES:

- Number of louvers will vary by model.
- Inlet dampers are mounted upstream of air handler, directly to air handler.
- Inlet dampers also available to ship loose.
- Inlet dampers for MUA style use both upper and lower dampers for B-2000 and B-3000.
- Inlet dampers for FR, AM, SC, SC2 and VAV styles only use upper damper for B-2000 and B-3000.
- Discharge dampers do not mount directly to air handler; they mount downstream of air handler in ductwork.

# Roof Curbs



MODEL	DIMENSIONS					WEIGHT	
		A	B	C	D	lbs	kg
B-350	(in) (cm)	27.0 68.6	57.5 146.1	23.8 60.5	N/A	75.0	34.0
B-650/B-1000	(in) (cm)	42.0 106.7	88.0 223.5	38.8 98.6	N/A	110.0	49.9
B-2000	(in) (cm)	53.0 134.6	113.0 287.0	49.8 126.5	56.5 143.5	150.0	68.0
B-3000	(in) (cm)	65.0 165.1	113.0 287.0	61.8 157.0	56.5 143.5	160.0	72.6

## IMPORTANT NOTES:

- Curb is shipped unassembled.
- All dimensions are from the outside.
- Curb material is 16 gauge galvanized steel.
- Nuts and bolts (3/8" x 1") are furnished.
- Caulk all joints before assembling. (Caulk provided by others).
- B-2000 and B-3000 have seam in roof curb.
- When measuring dimensions A and B, include top mounting flange width on both sides.

# B-Series Selection Guide

CFM (m³/h)	MODEL	MOTOR HP AT NOTED EXTERNAL STATIC PRESSURE (in wc)					dBA AT NOTED EXTERNAL STATIC PRESSURE (in wc)**			HEAT OUTPUT AT MAXIMUM TEMPERATURE RISE (Btu/h) X 1000		MINIMUM INLET GAS PRESSURE in wc (mbar)***	MANIFOLD SIZE in NPT (mm)
		0	0.25	0.50	0.75	1.00	0	0.50	1.00	NG	LPG		
1,000 (1,700)	B-350	2	2	2	2	2	62	66	70	97	76	7 (17.5)	0.75 (19)
2,000 (3,400)	B-350	2	2	2	2	2	60	66	70	194	151	7 (17.5)	0.75 (19)
3,000 (5,100)	B-350	3	3	3	3	3	60	65	70	292	227	7 (17.5)	0.75 (19)
4,000 (6,800)	B-350	3	3	3	3	3	62	65	70	389*	302	7 (17.5)	0.75 (19)
4,000 (6,800)	B-650	3	3	3	3	3	59	65	69	432	346	7 (17.5)	1.0 (25)
5,000 (8,500)	B-650	3	3	3	3	3	58	63	68	540	432	7 (17.5)	1.0 (25)
6,000 (10,200)	B-650	5	5	5	5	5	58	62	67	648	518	7 (17.5)	1.0 (25)
7,000 (11,900)	B-650	5	5	5	5	5	59	62	66	756*	605	7 (17.5)	1.0 (25)
8,000 (13,600)	B-650	5	5	5	5	5	60	63	66	800*	691	7 (17.5)	1.0 (25)
9,000 (15,300)	B-650	7.5	7.5	7.5	7.5	7.5	61	64	67	800*	778	7 (17.5)	1.0 (25)
10,000 (17,000)	B-650	7.5	7.5	7.5	7.5	7.5	62	65	68	800*	800	7 (17.5)	1.0 (25)
7,000 (11,900)	B-1000	5	5	5	5	5	59	62	66	756	605	7 (17.5)	1.25 (32)
8,000 (13,600)	B-1000	5	5	5	5	5	60	63	66	864	691	7 (17.5)	1.25 (32)
9,000 (15,300)	B-1000	7.5	7.5	7.5	7.5	7.5	61	64	67	972	778	7 (17.5)	1.25 (32)
10,000 (17,000)	B-1000	7.5	7.5	7.5	7.5	7.5	62	65	68	1,080	864	7 (17.5)	1.25 (32)
11,000 (18,700)	B-1000	10	10	10	10	10	64	66	68	1,188	950	7 (17.5)	1.25 (32)
12,000 (20,400)	B-1000	10	10	10	10	10	66	68	69	1,296	1,037	7 (17.5)	1.25 (32)
13,000 (22,100)	B-1000	10	10	10	10	15	67	69	CF	1,404	1,123	7 (17.5)	1.25 (32)
14,000 (23,800)	B-1000	10	10	15	15	15	69	CF	CF	1,512	1,210	7 (17.5)	1.25 (32)
12,000 (20,400)	B-2000	7.5	7.5	7.5	7.5	7.5	66	70	73	1,296	1,037	9 (22.5)	1.5 (38)
14,000 (23,800)	B-2000	10	10	10	10	10	69	70	73	1,512	1,210	9 (22.5)	1.5 (38)
16,000 (27,200)	B-2000	10	10	10	10	10	70	72	76	1,728	1,382	9 (22.5)	1.5 (38)
18,000 (30,600)	B-2000	15	15	15	15	15	70	74	77	1,944	1,555	9 (22.5)	1.5 (38)
20,000 (34,000)	B-2000	15	15	15	15	15	70	74	77	2,160	1,728	9 (22.5)	1.5 (38)
22,000 (37,400)	B-2000	20	20	20	20	20	71	74	77	2,376	1,901	9 (22.5)	1.5 (38)
25,000 (42,500)	B-2000	20	20	20	20	20	72	75	77	2,700	2,160	9 (22.5)	1.5 (38)
25,000 (42,500)	B-3000	15	15	15	15	15	70	72	74	2,700	2,160	11 (27.5)	2.0 (50)
27,500 (46,700)	B-3000	15	15	15	15	15	71	73	75	2,970	2,376	11 (27.5)	2.0 (50)
30,000 (51,000)	B-3000	20	20	20	25	25	73	75	76	3,240	2,592	11 (27.5)	2.0 (50)
32,500 (55,200)	B-3000	20	20	20	20	25	75	76	77	3,510	2,808	11 (27.5)	2.0 (50)
35,000 (59,500)	B-3000	20	25	25	25	25	77	77	79	3,780	3,024	11 (27.5)	2.0 (50)
37,500 (63,700)	B-3000	25	25	30	30	30	78	79	79	4,050*	3,240	11 (27.5)	2.0 (50)
40,000 (68,000)	B-3000	30	30	30	CF	CF	80	CF	CF	4,320*	3,456	11 (27.5)	2.0 (50)

## IMPORTANT NOTES:

All information provided in this table is based on the assumption that unit is installed at an altitude below 2000 feet (609.6 meters).

CF = Consult Factory

\* Temperature rise at this CFM is less than the maximum temperature rise. Heat output is based on heater operation in 100% outside air mode.

\*\* dBA is measured at 10' (3 m) from unducted discharge.

\*\*\* Maximum Inlet Gas Pressure: ANSI - Compliant Manifold = 14 in wc (34.9 mbar)  
FM and XL - Compliant Manifold = 5 psi (344.7 mbar)

### **Installation Code and Annual Inspections:**

All installation and service of BANANZA® equipment must be performed by a contractor qualified in the installation and service of equipment sold and supplied by Bananza and conform to all requirements set forth in the BANANZA® manuals and all applicable governmental authorities pertaining to the installation, service, operation and labeling of the equipment. To help facilitate optimum performance and safety, Bananza recommends that a qualified contractor conduct, at a minimum, annual inspections of your BANANZA® equipment and perform service where necessary, using only replacement parts sold and supplied by Bananza.

**Further Information:** Applications, engineering and detailed guidance on systems design, installation and equipment performance is available through BANANZA® representatives. Please contact us for any further information you may require, including the Installation, Operation and Service Manual.

**This product is not for residential use.**

**This document is intended to assist licensed professionals in the exercise of their professional judgment.**

## **Bananza**

1100 Seven Mile Road NW  
Comstock Park, MI 49321  
Telephone: +1.616.726.8800  
Toll Free: 800.255.3416  
Fax: +1.616.784.0435  
[www.bananza.com](http://www.bananza.com)

© 2016 Roberts-Gordon LLC All rights reserved. No part of this work covered by the copyrights herein may be reproduced or copied in any form or by any means – graphic, electronic, or mechanical, including photocopying, recording, taping, or information storage and retrieval systems – without written permission of Roberts-Gordon LLC.