

ADDISON[®]

**WATER SOURCE HEAT PUMP PACKAGED SYSTEMS
FOR COOLING/HEATING APPLICATIONS
PROW/PRRW-SERIES**

DIMENSION AND SELECTION GUIDE

**www.addison-hvac.com
Telephone: +1.407.292.4400**



Intertek

PRRW: RATED IN ACCORDANCE TO ISO STANDARD 13256-1:1998

UNIT DATA - PROW 036

	AIRFLOW (CFM)	EWT (°F)	WATER FLOW (GPM)		ENTERING AIR TEMPERATURE (°F)								
					90 DB			95 DB			100 DB		
					76 WB	78 WB	80 WB	76 WB	78 WB	80 WB	76 WB	78 WB	80 WB
100% OUTSIDE AIR COOLING	375	50	9.00	Total Capacity (Btu/h)	38,000	39,500	41,000	38,000	39,500	41,000	38,000	39,500	41,000
				Sensible Capacity (Btu/h)	18,600	17,700	16,800	20,800	19,900	18,900	22,800	22,000	21,000
				Electric Power (Watts)	2,059	2,060	2,060	2,060	2,061	2,062	2,061	2,062	2,063
				Leaving Air Temperature (F db/F wb)	45.4 / 43.6	47.7 / 45.9	50.0 / 48.2	45.2 / 43.4	47.5 / 45.7	49.9 / 48.0	45.0 / 43.2	47.3 / 45.4	49.7 / 47.8
		60	9.00	Total Capacity (Btu/h)	37,000	38,500	40,000	37,000	38,500	40,000	37,000	38,500	40,000
				Sensible Capacity (Btu/h)	18,100	17,200	16,200	20,200	19,300	18,400	22,400	21,400	20,600
				Electric Power (Watts)	2,239	2,240	2,240	2,240	2,241	2,243	2,241	2,242	2,243
				Leaving Air Temperature (F db/F wb)	46.7 / 44.8	49.0 / 47.1	51.4 / 49.5	46.4 / 44.6	48.8 / 46.9	51.2 / 49.2	46.3 / 44.4	48.6 / 46.7	50.9 / 49.0
		75	9.00	Total Capacity (Btu/h)	35,200	36,600	38,000	35,200	36,600	38,000	35,400	36,800	38,000
				Sensible Capacity (Btu/h)	17,200	16,300	15,400	19,400	18,500	17,500	21,400	20,600	19,700
				Electric Power (Watts)	2,573	2,575	2,575	2,574	2,576	2,578	2,575	2,577	2,579
				Leaving Air Temperature (F db/F wb)	48.7 / 46.8	51.0 / 49.1	53.4 / 51.5	48.5 / 46.6	50.8 / 48.9	53.2 / 51.2	48.3 / 46.4	50.6 / 48.7	53.0 / 51.0
	85	9.00	Total Capacity (Btu/h)	34,000	35,200	36,600	34,000	35,400	36,800	34,200	35,400	36,800	
			Sensible Capacity (Btu/h)	16,600	15,700	14,800	18,800	17,900	16,900	20,800	20,000	19,100	
			Electric Power (Watts)	2,843	2,845	2,847	2,845	2,846	2,848	2,846	2,847	2,849	
			Leaving Air Temperature (F db/F wb)	50.2 / 48.2	52.5 / 50.5	54.9 / 52.8	50.0 / 48.0	52.3 / 50.2	54.7 / 52.6	49.8 / 47.9	52.1 / 50.1	54.5 / 52.4	
	480	50	9.00	Total Capacity (Btu/h)	42,000	44,000	45,500	42,500	44,000	45,500	42,500	44,000	45,500
				Sensible Capacity (Btu/h)	21,000	19,800	18,600	23,600	22,600	21,400	26,400	25,200	24,000
				Electric Power (Watts)	2,061	2,062	2,064	2,063	2,063	2,065	2,064	2,066	2,067
				Leaving Air Temperature (F db/F wb)	50.7 / 49.2	53.1 / 51.6	55.5 / 53.9	50.6 / 49.0	52.9 / 51.4	55.3 / 53.7	50.5 / 48.9	52.8 / 51.2	55.2 / 53.5
		60	9.00	Total Capacity (Btu/h)	41,000	42,500	44,000	41,000	42,500	44,000	41,000	42,500	44,500
				Sensible Capacity (Btu/h)	20,400	19,200	18,000	23,000	22,000	20,800	25,800	24,600	23,400
				Electric Power (Watts)	2,241	2,243	2,245	2,244	2,244	2,246	2,244	2,247	2,249
				Leaving Air Temperature (F db/F wb)	51.8 / 50.3	54.2 / 52.6	56.5 / 55.0	51.7 / 50.1	54.0 / 52.4	56.3 / 54.7	51.6 / 50.0	53.9 / 52.2	56.3 / 54.6
75		9.00	Total Capacity (Btu/h)	39,000	40,500	42,000	39,000	40,500	42,000	39,000	40,500	42,000	
			Sensible Capacity (Btu/h)	19,400	18,300	17,100	22,200	21,000	19,900	24,800	23,800	22,600	
			Electric Power (Watts)	2,578	2,579	2,582	2,579	2,582	2,583	2,580	2,583	2,586	
			Leaving Air Temperature (F db/F wb)	53.7 / 52.0	55.9 / 54.3	58.3 / 56.6	53.4 / 51.8	55.8 / 54.1	58.0 / 56.4	53.3 / 51.7	55.6 / 53.9	58 / 56.3	
85	9.00	Total Capacity (Btu/h)	37,400	39,000	40,000	37,600	39,000	40,500	37,600	39,000	40,500		
		Sensible Capacity (Btu/h)	18,800	17,700	16,500	21,600	20,400	19,200	24,200	23,000	21,800		
		Electric Power (Watts)	2,848	2,848	2,852	2,849	2,852	2,854	2,850	2,853	2,857		
		Leaving Air Temperature (F db/F wb)	54.9 / 53.2	57.0 / 55.5	59.4 / 57.8	54.7 / 53.0	57.0 / 55.3	59.2 / 57.6	54.5 / 52.9	56.8 / 55.1	59.2 / 57.4		
600	50	9.00	Total Capacity (Btu/h)	45,500	47,500	49,000	46,000	47,500	49,000	46,000	47,500	49,500	
			Sensible Capacity (Btu/h)	23,400	21,800	20,400	26,600	25,200	23,800	30,000	28,600	27,200	
			Electric Power (Watts)	2,064	2,066	2,068	2,066	2,066	2,069	2,067	2,069	2,070	
			Leaving Air Temperature (F db/F wb)	55.0 / 53.8	57.4 / 56.1	59.8 / 58.5	55.0 / 53.6	57.2 / 56.0	59.6 / 58.3	54.9 / 53.5	57.2 / 55.8	59.4 / 58.1	
	60	9.00	Total Capacity (Btu/h)	44,500	46,000	47,500	44,500	46,000	47,500	44,500	46,000	48,000	
			Sensible Capacity (Btu/h)	22,800	21,200	19,700	26,000	24,600	23,200	29,400	28,000	26,600	
			Electric Power (Watts)	2,245	2,248	2,251	2,248	2,249	2,252	2,248	2,251	2,253	
			Leaving Air Temperature (F db/F wb)	56.0 / 54.7	58.3 / 57.0	60.7 / 59.3	55.9 / 54.5	58.1 / 56.9	60.4 / 59.2	55.8 / 54.4	58.1 / 56.7	60.3 / 59.0	
	75	9.00	Total Capacity (Btu/h)	42,000	43,500	45,000	42,000	43,500	45,000	42,000	43,500	45,000	
			Sensible Capacity (Btu/h)	21,800	20,400	18,800	25,000	23,800	22,200	28,400	27,000	25,600	
			Electric Power (Watts)	2,581	2,585	2,590	2,585	2,586	2,590	2,585	2,589	2,592	
			Leaving Air Temperature (F db/F wb)	57.4 / 56.2	59.7 / 58.4	62.0 / 60.7	57.4 / 56.0	59.5 / 58.3	61.8 / 60.6	57.2 / 55.9	59.5 / 58.1	61.7 / 60.4	
85	9.00	Total Capacity (Btu/h)	40,000	41,500	43,000	40,500	42,000	43,500	40,500	42,000	43,500		
		Sensible Capacity (Btu/h)	21,200	19,700	18,200	24,400	23,000	21,400	27,800	26,400	25,000		
		Electric Power (Watts)	2,851	2,856	2,861	2,855	2,860	2,865	2,857	2,860	2,863		
		Leaving Air Temperature (F db/F wb)	58.4 / 57.2	60.7 / 59.4	63.0 / 61.7	58.4 / 57.0	60.7 / 59.2	63.0 / 61.5	58.3 / 56.9	60.5 / 59.1	62.7 / 61.4		

UNIT DATA - PROW 036

	AIRFLOW (CFM)	EWT (°F)	WATER FLOW (GPM)		ENTERING AIR TEMPERATURE (°F)		
					20	30	40
100% OUTSIDE AIR HEATING	375	40	9.00	Total Capacity (Btu/h)	34,000	33,400	33,000
				Electric Power (Watts)	2,756	2,987	3,223
				Leaving Air Temperature (°F)	103.5	112.4	121.3
		50	9.00	Total Capacity (Btu/h)	38,000	37,400	37,000
				Electric Power (Watts)	3,004	3,223	3,468
				Leaving Air Temperature (°F)	113.5	122.1	131.2
		60	9.00	Total Capacity (Btu/h)	42,500	41,500	41,500
				Electric Power (Watts)	3,237	3,480	3,707
				Leaving Air Temperature (°F)	124	132.7	141.6
	70	9.00	Total Capacity (Btu/h)	47,000	46,500	46,000	
			Electric Power (Watts)	3,514	3,715	4,002	
			Leaving Air Temperature (°F)	135.1	143.9	153.6	
	480	40	9.00	Total Capacity (Btu/h)	34,400	34,000	33,600
				Electric Power (Watts)	2,443	2,660	2,900
				Leaving Air Temperature (°F)	86.3	95.5	104.6
		50	9.00	Total Capacity (Btu/h)	39,000	38,000	37,800
				Electric Power (Watts)	2,648	2,880	3,121
				Leaving Air Temperature (°F)	94.8	103.4	112.5
		60	9.00	Total Capacity (Btu/h)	43,500	42,500	42,000
				Electric Power (Watts)	2,842	3,073	3,320
				Leaving Air Temperature (°F)	103.5	112.2	121.1
	70	9.00	Total Capacity (Btu/h)	48,000	47,500	47,000	
			Electric Power (Watts)	3,052	3,294	3,547	
			Leaving Air Temperature (°F)	112.7	121.3	129.9	
600	40	9.00	Total Capacity (Btu/h)	35,200	34,600	34,000	
			Electric Power (Watts)	2,251	2,449	2,673	
			Leaving Air Temperature (°F)	74.3	83.3	92.4	
	50	9.00	Total Capacity (Btu/h)	39,500	39,000	38,500	
			Electric Power (Watts)	2,408	2,622	2,859	
			Leaving Air Temperature (°F)	81	90	98.9	
	60	9.00	Total Capacity (Btu/h)	44,500	43,500	43,000	
			Electric Power (Watts)	2,580	2,796	3,025	
			Leaving Air Temperature (°F)	88.2	97.3	106	
70	9.00	Total Capacity (Btu/h)	49,500	49,000	48,000		
		Electric Power (Watts)	2,733	2,969	3,202		
		Leaving Air Temperature (°F)	96.1	105.3	113.5		

UNIT DATA - PRRW 036

RECIRCULATING AIR COOLING	AIRFLOW (CFM)	EWT (°F)	WATER FLOW (GPM)		ENTERING AIR TEMPERATURE (°F)								
					75 DB			80 DB			85 DB		
					63 WB	67 WB	71 WB	63 WB	67 WB	71 WB	63 WB	67 WB	71 WB
900	50	9.00	Total Capacity (Btu/h)	38,500	41,000	44,000	38,500	41,500	44,000	38,500	41,000	44,000	
			Sensible Capacity (Btu/h)	26,400	22,000	17,600	31,400	27,000	22,800	36,200	32,200	28,000	
			Electric Power (Watts)	1,671	1,674	1,676	1,674	1,675	1,677	1,674	1,674	1,675	
			Leaving Air Temperature (F db/F wb)	48.3 / 47.6	52.9 / 51.9	57.4 / 56.4	48.3 / 47.5	52.8 / 51.8	57.3 / 56.2	48.2 / 47.5	52.6 / 51.8	56.9 / 56.1	
	60	9.00	Total Capacity (Btu/h)	36,800	39,500	42,000	36,800	39,500	42,500	36,800	39,500	42,500	
			Sensible Capacity (Btu/h)	25,800	21,200	16,900	30,600	26,400	22,000	35,600	31,400	27,200	
			Electric Power (Watts)	1,869	1,873	1,876	1,869	1,872	1,877	1,872	1,875	1,876	
			Leaving Air Temperature (F db/F wb)	49.0 / 48.4	53.6 / 52.6	58.1 / 57.1	49.0 / 48.3	53.4 / 52.5	58.0 / 56.9	48.9 / 48.2	53.4 / 52.4	57.6 / 56.8	
	75	9.00	Total Capacity (Btu/h)	34,400	36,800	39,500	34,400	37,000	39,500	34,600	37,000	39,500	
			Sensible Capacity (Btu/h)	24,400	20,600	15,800	29,400	25,400	21,200	34,400	30,200	26,000	
			Electric Power (Watts)	2,186	2,183	2,191	2,188	2,187	2,190	2,189	2,189	2,193	
			Leaving Air Temperature (F db/F wb)	50.4 / 49.5	54.4 / 53.7	59.2 / 58.1	50.3 / 49.4	54.5 / 53.6	58.9 / 58.0	50.2 / 49.3	54.4 / 53.5	58.9 / 57.9	
85	9.00	Total Capacity (Btu/h)	32,600	35,000	37,400	32,600	35,200	37,600	33,000	35,200	37,800		
		Sensible Capacity (Btu/h)	23,800	19,800	15,100	28,600	24,400	20,200	33,000	29,600	25,200		
		Electric Power (Watts)	2,418	2,415	2,423	2,419	2,422	2,425	2,420	2,420	2,426		
		Leaving Air Temperature (F db/F wb)	51.1 / 50.2	55.1 / 54.5	59.9 / 58.8	51.0 / 50.1	55.3 / 54.3	59.7 / 58.7	51.5 / 49.9	55.1 / 54.3	59.6 / 58.6		
1,050	50	9.00	Total Capacity (Btu/h)	40,000	42,500	45,500	40,000	42,500	45,500	40,000	42,500	45,500	
			Sensible Capacity (Btu/h)	28,400	23,600	18,400	34,200	29,600	24,600	39,500	35,200	30,400	
			Electric Power (Watts)	1,674	1,675	1,678	1,675	1,674	1,677	1,676	1,677	1,680	
			Leaving Air Temperature (F db/F wb)	50.4 / 49.6	54.8 / 53.9	59.2 / 58.3	50.3 / 49.5	54.5 / 53.8	58.9 / 58.2	50.7 / 49.4	54.5 / 53.7	58.9 / 58.1	
	60	9.00	Total Capacity (Btu/h)	38,000	41,000	43,500	38,000	41,000	43,500	38,500	41,000	44,000	
			Sensible Capacity (Btu/h)	27,800	22,800	17,700	33,600	28,600	23,800	38,500	34,600	29,600	
			Electric Power (Watts)	1,871	1,874	1,878	1,871	1,875	1,877	1,872	1,874	1,880	
			Leaving Air Temperature (F db/F wb)	50.9 / 50.2	55.4 / 54.5	59.8 / 58.9	50.8 / 50.1	55.3 / 54.4	59.5 / 58.8	51.5 / 49.9	55.0 / 54.3	59.6 / 58.7	
	75	9.00	Total Capacity (Btu/h)	35,600	38,000	40,500	35,600	38,000	40,500	36,400	38,000	41,000	
			Sensible Capacity (Btu/h)	26,600	21,600	16,600	32,600	27,600	22,800	36,400	33,600	28,800	
			Electric Power (Watts)	2,187	2,189	2,193	2,186	2,190	2,193	2,187	2,189	2,194	
			Leaving Air Temperature (F db/F wb)	52.0 / 51.2	56.3 / 55.5	60.8 / 59.8	51.8 / 51.1	56.2 / 55.4	60.5 / 59.7	53.4 / 50.8	56.0 / 55.3	60.3 / 59.6	
85	9.00	Total Capacity (Btu/h)	33,800	36,000	38,500	33,600	36,200	38,500	35,000	36,200	39,000		
		Sensible Capacity (Btu/h)	25,800	21,000	15,800	32,000	27,000	21,800	35,000	33,000	28,000		
		Electric Power (Watts)	2,419	2,419	2,425	2,413	2,420	2,427	2,420	2,416	2,426		
		Leaving Air Temperature (F db/F wb)	52.7 / 51.9	56.9 / 56.1	61.4 / 60.4	52.3 / 51.8	56.7 / 56.0	61.3 / 60.3	54.6 / 51.3	56.4 / 56.0	61.0 / 60.2		
1,200	50	9.00	Total Capacity (Btu/h)	41,000	43,500	46,500	41,000	44,000	46,500	42,000	44,000	46,500	
			Sensible Capacity (Btu/h)	30,600	25,200	19,200	37,400	31,600	26,200	42,000	38,500	33,000	
			Electric Power (Watts)	1,674	1,674	1,680	1,674	1,676	1,679	1,674	1,677	1,680	
			Leaving Air Temperature (F db/F wb)	51.8 / 51.1	56.0 / 55.4	60.6 / 59.8	51.7 / 51.1	56.1 / 55.3	60.3 / 59.7	53.2 / 50.6	56.0 / 55.2	60.2 / 59.6	
	60	9.00	Total Capacity (Btu/h)	39,000	42,000	44,500	39,000	42,000	44,500	40,500	42,000	45,000	
			Sensible Capacity (Btu/h)	30,000	24,400	18,400	36,800	31,000	25,400	40,500	37,800	32,000	
			Electric Power (Watts)	1,871	1,873	1,880	1,867	1,876	1,880	1,873	1,875	1,882	
			Leaving Air Temperature (F db/F wb)	52.3 / 51.7	56.6 / 56.0	61.2 / 60.3	52.0 / 51.7	56.6 / 55.9	60.9 / 60.2	54.3 / 51.2	56.4 / 55.8	60.9 / 60.1	
	75	9.00	Total Capacity (Btu/h)	36,400	39,000	41,500	36,400	39,000	41,500	38,000	39,000	42,000	
			Sensible Capacity (Btu/h)	28,800	23,200	17,300	35,400	30,200	24,200	38,000	36,600	31,400	
			Electric Power (Watts)	2,184	2,190	2,195	2,186	2,185	2,197	2,189	2,192	2,194	
			Leaving Air Temperature (F db/F wb)	53.2 / 52.6	57.6 / 56.8	62.0 / 61.1	53.1 / 52.5	57.1 / 56.8	61.8 / 61.0	56.0 / 51.9	57.4 / 56.6	61.4 / 60.9	
85	9.00	Total Capacity (Btu/h)	34,400	37,000	39,500	34,600	37,000	39,500	36,600	37,200	39,500		
		Sensible Capacity (Btu/h)	28,200	22,400	16,900	34,600	29,400	23,400	36,600	35,800	30,400		
		Electric Power (Watts)	2,415	2,422	2,425	2,417	2,419	2,429	2,422	2,424	2,427		
		Leaving Air Temperature (F db/F wb)	53.7 / 53.1	58.2 / 57.4	62.3 / 61.7	53.7 / 53.0	57.9 / 57.3	62.4 / 61.6	57.2 / 52.4	57.9 / 57.2	62.1 / 61.5		

UNIT DATA - PRRW 036

	AIRFLOW (CFM)	EWT (°F)	WATER FLOW (GPM)	ENTERING AIR TEMPERATURE (°F)			
				50	60	70	
RECIRCULATING AIR HEATING	900	40	9.00	Total Capacity (Btu/h)	31,800	31,200	30,600
				Electric Power (Watts)	1,924	2,115	2,323
				Leaving Air Temperature (°F)	82.6	92	101.5
		50	9.00	Total Capacity (Btu/h)	36,200	35,400	34,800
				Electric Power (Watts)	1,990	2,187	2,402
				Leaving Air Temperature (°F)	87.1	96.3	105.7
		60	9.00	Total Capacity (Btu/h)	41,000	40,000	39,000
				Electric Power (Watts)	2,068	2,269	2,489
				Leaving Air Temperature (°F)	91.8	101	110.2
		70	9.00	Total Capacity (Btu/h)	45,500	45,000	44,000
				Electric Power (Watts)	2,158	2,365	2,589
				Leaving Air Temperature (°F)	96.9	105.9	115
	1,050	40	9.00	Total Capacity (Btu/h)	32,000	31,400	30,800
				Electric Power (Watts)	1,853	2,043	2,248
				Leaving Air Temperature (°F)	78.2	87.7	97.1
		50	9.00	Total Capacity (Btu/h)	36,400	35,800	35,000
				Electric Power (Watts)	1,906	2,101	2,311
				Leaving Air Temperature (°F)	82.1	91.4	100.8
		60	9.00	Total Capacity (Btu/h)	41,000	40,500	39,500
				Electric Power (Watts)	1,970	2,168	2,381
				Leaving Air Temperature (°F)	86.3	95.5	104.8
		70	9.00	Total Capacity (Btu/h)	46,500	45,500	44,500
				Electric Power (Watts)	2,044	2,246	2,464
				Leaving Air Temperature (°F)	90.7	99.9	109
1,200	40	9.00	Total Capacity (Btu/h)	32,400	31,800	31,400	
			Electric Power (Watts)	1,800	1,990	2,193	
			Leaving Air Temperature (°F)	75	84.5	94.1	
	50	9.00	Total Capacity (Btu/h)	36,800	36,000	35,200	
			Electric Power (Watts)	1,843	2,037	2,244	
			Leaving Air Temperature (°F)	78.3	87.7	97.1	
	60	9.00	Total Capacity (Btu/h)	42,000	40,500	40,000	
			Electric Power (Watts)	1,895	2,094	2,303	
			Leaving Air Temperature (°F)	82.2	91.3	100.7	
	70	9.00	Total Capacity (Btu/h)	47,000	46,000	45,000	
			Electric Power (Watts)	1,959	2,158	2,372	
			Leaving Air Temperature (°F)	86	95.2	104.5	

UNIT DATA - PROW 048

	AIRFLOW (CFM)	EWT (°F)	WATER FLOW (GPM)		ENTERING AIR TEMPERATURE (°F)								
					90 DB			95 DB			100 DB		
					76 WB	78 WB	80 WB	76 WB	78 WB	80 WB	76 WB	78 WB	80 WB
100% OUTSIDE AIR COOLING	500	50	12.00	Total Capacity (Btu/h)	48,500	50,500	52,500	48,500	50,500	52,500	48,500	50,500	52,500
				Sensible Capacity (Btu/h)	23,800	22,600	21,200	26,600	25,400	24,200	29,400	28,200	27,000
				Electric Power (Watts)	2,497	2,500	2,505	2,499	2,503	2,506	2,500	2,505	2,510
				Leaving Air Temperature (F db/F wb)	47.3 / 45.5	49.6 / 47.8	52.0 / 50.1	47.1 / 45.3	49.4 / 47.5	51.8 / 49.8	46.9 / 45.0	49.2 / 47.3	51.6 / 49.6
		60	12.00	Total Capacity (Btu/h)	47,000	49,000	51,000	47,000	49,000	51,000	47,500	49,000	51,000
				Sensible Capacity (Btu/h)	23,000	21,800	20,600	26,000	24,800	23,600	28,800	27,600	26,400
				Electric Power (Watts)	2,746	2,749	2,755	2,748	2,753	2,757	2,749	2,754	2,760
				Leaving Air Temperature (F db/F wb)	48.5 / 46.7	50.8 / 49.0	53.2 / 51.3	48.3 / 46.5	50.7 / 48.7	53.0 / 51.1	48.2 / 46.3	50.5 / 48.5	52.8 / 50.9
		75	12.00	Total Capacity (Btu/h)	45,000	46,500	48,500	45,000	46,500	48,500	45,000	47,000	48,500
				Sensible Capacity (Btu/h)	22,000	20,800	19,500	24,800	23,600	22,400	27,600	26,400	25,200
				Electric Power (Watts)	3,158	3,163	3,167	3,159	3,164	3,171	3,160	3,166	3,172
				Leaving Air Temperature (F db/F wb)	50.5 / 48.6	52.9 / 50.9	55.2 / 53.2	50.3 / 48.4	52.7 / 50.6	55.0 / 52.9	50.2 / 48.2	52.5 / 50.4	54.8 / 52.7
	85	12.00	Total Capacity (Btu/h)	43,000	45,000	46,500	43,500	45,000	47,000	43,500	45,000	47,000	
			Sensible Capacity (Btu/h)	21,200	20,000	18,800	24,000	22,800	21,600	26,800	25,800	24,400	
			Electric Power (Watts)	3,472	3,477	3,480	3,474	3,479	3,484	3,475	3,480	3,486	
			Leaving Air Temperature (F db/F wb)	51.9 / 49.9	54.2 / 52.2	56.5 / 54.4	51.7 / 49.7	54.0 / 52.0	56.3 / 54.2	51.5 / 49.5	53.8 / 51.8	56.1 / 54.0	
	640	50	12.00	Total Capacity (Btu/h)	53,500	55,500	57,500	54,000	56,000	58,000	54,000	56,000	58,000
				Sensible Capacity (Btu/h)	26,800	25,200	23,600	30,400	28,800	27,200	34,000	32,400	30,800
				Electric Power (Watts)	2,509	2,515	2,523	2,512	2,517	2,525	2,513	2,520	2,526
				Leaving Air Temperature (F db/F wb)	52.4 / 50.9	54.8 / 53.2	57.2 / 55.6	52.3 / 50.7	54.6 / 53.0	57.0 / 55.4	52.2 / 50.6	54.5 / 52.8	56.8 / 55.2
60		12.00	Total Capacity (Btu/h)	52,000	54,000	56,000	52,000	54,000	56,000	52,000	54,000	56,000	
			Sensible Capacity (Btu/h)	26,000	24,400	22,800	29,600	28,000	26,400	33,200	31,600	30,200	
			Electric Power (Watts)	2,759	2,766	2,774	2,762	2,768	2,776	2,763	2,771	2,777	
			Leaving Air Temperature (F db/F wb)	53.5 / 52.0	55.8 / 54.2	58.2 / 56.6	53.4 / 51.8	55.6 / 54.0	58.0 / 56.4	53.2 / 51.6	55.5 / 53.9	57.8 / 56.2	
75		12.00	Total Capacity (Btu/h)	49,000	51,000	53,000	49,500	51,500	53,000	49,500	51,500	53,500	
			Sensible Capacity (Btu/h)	24,800	23,200	21,600	28,400	27,000	25,400	32,000	30,600	29,000	
			Electric Power (Watts)	3,170	3,177	3,186	3,173	3,179	3,187	3,175	3,182	3,188	
			Leaving Air Temperature (F db/F wb)	55.1 / 53.5	57.4 / 55.8	59.8 / 58.1	55.0 / 53.4	57.2 / 55.6	59.6 / 57.9	54.9 / 53.2	57.1 / 55.5	59.4 / 57.8	
85	12.00	Total Capacity (Btu/h)	47,500	49,000	51,000	47,500	49,500	51,000	47,500	49,500	51,000		
		Sensible Capacity (Btu/h)	24,000	22,400	21,000	27,600	26,200	24,600	31,200	29,800	28,200		
		Electric Power (Watts)	3,485	3,489	3,497	3,486	3,491	3,499	3,487	3,494	3,500		
		Leaving Air Temperature (F db/F wb)	56.3 / 54.6	58.6 / 56.9	60.9 / 59.2	56.1 / 54.5	58.3 / 56.7	60.7 / 59.0	56.0 / 54.3	58.3 / 56.6	60.4 / 58.8		
800	50	12.00	Total Capacity (Btu/h)	58,000	60,000	62,000	58,000	60,000	62,500	58,000	60,000	62,500	
			Sensible Capacity (Btu/h)	29,800	27,800	25,800	34,400	32,400	30,400	39,000	36,800	35,000	
			Electric Power (Watts)	2,523	2,532	2,541	2,524	2,533	2,543	2,527	2,534	2,544	
			Leaving Air Temperature (F db/F wb)	56.6 / 55.3	58.9 / 57.6	61.2 / 59.9	56.4 / 55.1	58.7 / 57.4	61.1 / 59.7	56.3 / 55.0	58.6 / 57.3	60.9 / 59.5	
	60	12.00	Total Capacity (Btu/h)	56,000	58,000	60,000	56,000	58,000	60,000	56,000	58,000	60,500	
			Sensible Capacity (Btu/h)	29,000	27,000	25,000	33,600	31,600	29,600	38,000	36,000	34,200	
			Electric Power (Watts)	2,774	2,783	2,793	2,775	2,784	2,794	2,778	2,785	2,796	
			Leaving Air Temperature (F db/F wb)	57.4 / 56.1	59.7 / 58.4	62.1 / 60.7	57.3 / 56.0	59.6 / 58.2	61.9 / 60.5	57.2 / 55.9	59.5 / 58.1	61.7 / 60.4	
	75	12.00	Total Capacity (Btu/h)	53,000	54,500	56,500	53,000	55,000	57,000	53,000	55,000	57,000	
			Sensible Capacity (Btu/h)	27,800	25,800	23,800	32,400	30,400	28,400	36,800	34,800	33,000	
			Electric Power (Watts)	3,184	3,193	3,203	3,186	3,195	3,205	3,188	3,196	3,207	
			Leaving Air Temperature (F db/F wb)	58.8 / 57.5	61.0 / 59.7	63.4 / 62.0	58.7 / 57.3	60.9 / 59.6	63.2 / 61.8	58.5 / 57.2	60.8 / 59.4	63.1 / 61.7	
85	12.00	Total Capacity (Btu/h)	50,500	52,500	54,500	51,000	52,500	54,500	51,000	52,500	54,500		
		Sensible Capacity (Btu/h)	27,000	25,000	23,000	31,400	29,600	27,600	35,800	34,000	32,200		
		Electric Power (Watts)	3,495	3,504	3,514	3,497	3,505	3,515	3,502	3,507	3,517		
		Leaving Air Temperature (F db/F wb)	59.7 / 58.4	62.0 / 60.6	64.3 / 62.9	59.6 / 58.3	61.8 / 60.5	64.1 / 62.7	59.6 / 58.1	61.7 / 60.4	64.0 / 62.6		

UNIT DATA - PROW 048

	AIRFLOW (CFM)	EWT (°F)	WATER FLOW (GPM)		ENTERING AIR TEMPERATURE (°F)		
					20	30	40
100% OUTSIDE AIR HEATING	500	40	12.00	Total Capacity (Btu/h)	43,000	42,500	42,000
				Electric Power (Watts)	3,373	3,633	3,901
				Leaving Air Temperature (°F)	99.1	108.4	117.2
		50	12.00	Total Capacity (Btu/h)	48,500	47,500	47,000
				Electric Power (Watts)	3,618	3,895	4,173
				Leaving Air Temperature (°F)	109.3	118	126.6
		60	12.00	Total Capacity (Btu/h)	54,000	53,000	52,500
				Electric Power (Watts)	3,897	4,184	4,481
				Leaving Air Temperature (°F)	119.4	127.9	136.6
	70	12.00	Total Capacity (Btu/h)	59,500	59,000	58,000	
			Electric Power (Watts)	4,226	4,527	4,789	
			Leaving Air Temperature (°F)	130.1	138.6	147.1	
	640	40	12.00	Total Capacity (Btu/h)	44,000	43,000	42,500
				Electric Power (Watts)	3,045	3,304	3,559
				Leaving Air Temperature (°F)	83.4	92.2	101
		50	12.00	Total Capacity (Btu/h)	49,500	48,500	48,000
				Electric Power (Watts)	3,251	3,499	3,774
				Leaving Air Temperature (°F)	91.3	100	108.9
		60	12.00	Total Capacity (Btu/h)	55,500	54,500	53,500
				Electric Power (Watts)	3,467	3,733	4,019
				Leaving Air Temperature (°F)	99.9	108.5	117.3
	70	12.00	Total Capacity (Btu/h)	61,500	60,500	59,500	
			Electric Power (Watts)	3,720	3,996	4,291	
			Leaving Air Temperature (°F)	108.8	117.3	125.8	
800	40	12.00	Total Capacity (Btu/h)	44,500	44,000	43,000	
			Electric Power (Watts)	2,815	3,061	3,324	
			Leaving Air Temperature (°F)	71.6	80.6	89.6	
	50	12.00	Total Capacity (Btu/h)	50,500	49,500	48,500	
			Electric Power (Watts)	3,013	3,248	3,504	
			Leaving Air Temperature (°F)	78	87	96.1	
	60	12.00	Total Capacity (Btu/h)	56,500	56,000	54,500	
			Electric Power (Watts)	3,186	3,429	3,694	
			Leaving Air Temperature (°F)	85.3	94.4	103	
70	12.00	Total Capacity (Btu/h)	63,500	62,500	61,000		
		Electric Power (Watts)	3,378	3,647	3,910		
		Leaving Air Temperature (°F)	93	102.1	110.3		

UNIT DATA - PRRW 048

RECIRCULATING AIR COOLING	AIRFLOW (CFM)	EWT (°F)	WATER FLOW (GPM)		ENTERING AIR TEMPERATURE (°F)								
					75 DB			80 DB			85 DB		
					63 WB	67 WB	71 WB	63 WB	67 WB	71 WB	63 WB	67 WB	71 WB
1,200	50	12.00	Total Capacity (Btu/h)	51,500	55,000	58,500	51,500	55,000	58,500	51,500	55,000	59,000	
			Sensible Capacity (Btu/h)	35,000	29,400	23,400	42,000	36,000	30,200	48,500	43,000	37,000	
			Electric Power (Watts)	2,298	2,304	2,309	2,296	2,305	2,311	2,297	2,303	2,312	
			Leaving Air Temperature (F db/F wb)	48.5 / 47.6	52.9 / 52.0	57.4 / 56.4	48.3 / 47.5	52.8 / 51.8	57.3 / 56.3	48.2 / 47.4	52.5 / 51.8	57.2 / 56.1	
	60	12.00	Total Capacity (Btu/h)	49,000	52,500	56,000	49,500	53,000	56,500	49,500	53,000	56,500	
			Sensible Capacity (Btu/h)	34,000	28,400	22,600	41,000	35,200	29,200	47,500	42,000	36,200	
			Electric Power (Watts)	2,504	2,506	2,509	2,498	2,507	2,510	2,503	2,507	2,509	
			Leaving Air Temperature (F db/F wb)	49.2 / 48.3	53.6 / 52.7	58.1 / 57.1	48.8 / 48.2	53.5 / 52.5	58.0 / 56.9	48.9 / 48.1	53.3 / 52.4	57.7 / 56.8	
	75	12.00	Total Capacity (Btu/h)	46,000	49,000	52,500	46,000	49,500	52,500	46,000	49,500	52,500	
			Sensible Capacity (Btu/h)	32,800	26,800	21,000	39,000	33,600	27,800	45,500	40,500	35,000	
			Electric Power (Watts)	2,882	2,885	2,883	2,886	2,885	2,885	2,885	2,884	2,883	
			Leaving Air Temperature (F db/F wb)	50.2 / 49.5	54.8 / 53.7	59.2 / 58.2	50.2 / 49.3	54.6 / 53.6	59.1 / 58.0	50.5 / 49.2	54.3 / 53.5	58.7 / 57.9	
85	12.00	Total Capacity (Btu/h)	43,500	46,500	49,500	43,500	47,000	50,000	44,000	47,000	50,000		
		Sensible Capacity (Btu/h)	31,600	26,000	20,000	38,000	33,000	27,000	44,000	39,500	34,200		
		Electric Power (Watts)	3,191	3,188	3,185	3,193	3,185	3,184	3,192	3,192	3,181		
		Leaving Air Temperature (F db/F wb)	51.1 / 50.2	55.5 / 54.5	60.0 / 58.9	51.0 / 50.1	55.1 / 54.3	59.7 / 58.7	51.5 / 49.9	55.2 / 54.2	59.2 / 58.6		
1,400	50	12.00	Total Capacity (Btu/h)	53,000	56,500	60,500	53,000	57,000	60,500	53,500	57,000	61,000	
			Sensible Capacity (Btu/h)	38,000	31,400	24,400	46,000	39,500	32,400	52,500	47,000	40,500	
			Electric Power (Watts)	2,301	2,307	2,312	2,300	2,306	2,314	2,301	2,307	2,314	
			Leaving Air Temperature (F db/F wb)	50.4 / 49.6	54.8 / 53.9	59.3 / 58.3	50.2 / 49.5	54.6 / 53.8	59.1 / 58.2	50.6 / 49.4	54.5 / 53.7	59.0 / 58.1	
	60	12.00	Total Capacity (Btu/h)	51,000	54,500	58,000	51,000	54,500	58,000	51,500	54,500	58,500	
			Sensible Capacity (Btu/h)	37,000	30,400	23,600	45,000	38,500	31,600	51,500	46,000	39,500	
			Electric Power (Watts)	2,503	2,508	2,510	2,503	2,506	2,511	2,505	2,507	2,511	
			Leaving Air Temperature (F db/F wb)	50.9 / 50.2	55.4 / 54.5	59.9 / 58.9	50.8 / 50.1	55.1 / 54.4	59.7 / 58.8	51.5 / 49.9	55.0 / 54.3	59.5 / 58.7	
	75	12.00	Total Capacity (Btu/h)	47,500	50,500	54,000	47,500	51,000	54,000	48,500	51,000	54,500	
			Sensible Capacity (Btu/h)	35,800	29,000	22,000	42,500	37,000	30,400	48,500	44,500	38,500	
			Electric Power (Watts)	2,882	2,881	2,883	2,884	2,882	2,881	2,884	2,884	2,882	
			Leaving Air Temperature (F db/F wb)	51.8 / 51.2	56.2 / 55.5	60.8 / 59.9	52.3 / 51.1	56.1 / 55.4	60.4 / 59.7	53.4 / 50.8	56.0 / 55.3	60.3 / 59.6	
85	12.00	Total Capacity (Btu/h)	45,000	48,000	51,000	45,000	48,500	51,500	46,500	48,500	51,500		
		Sensible Capacity (Btu/h)	34,600	28,000	21,000	42,500	36,000	29,600	46,500	43,500	37,200		
		Electric Power (Watts)	3,187	3,184	3,184	3,189	3,185	3,180	3,189	3,191	3,183		
		Leaving Air Temperature (F db/F wb)	52.5 / 51.9	56.9 / 56.2	61.5 / 60.5	52.5 / 51.8	56.7 / 56.0	61.0 / 60.3	54.7 / 51.3	56.8 / 55.9	61.0 / 60.2		
1,600	50	12.00	Total Capacity (Btu/h)	54,500	58,000	61,500	54,500	58,500	62,000	56,000	58,500	62,500	
			Sensible Capacity (Btu/h)	41,000	33,200	25,400	49,000	42,500	34,800	56,000	51,500	44,000	
			Electric Power (Watts)	2,302	2,309	2,314	2,303	2,307	2,314	2,305	2,309	2,314	
			Leaving Air Temperature (F db/F wb)	51.7 / 51.1	56.2 / 55.4	60.7 / 59.8	52.2 / 51.0	55.9 / 55.3	60.4 / 59.7	53.2 / 50.7	55.9 / 55.3	60.2 / 59.6	
	60	12.00	Total Capacity (Btu/h)	52,000	55,500	59,000	52,500	56,000	59,500	54,000	56,000	59,500	
			Sensible Capacity (Btu/h)	40,000	32,400	24,600	49,000	41,500	34,000	54,000	49,000	43,500	
			Electric Power (Watts)	2,503	2,507	2,511	2,505	2,507	2,510	2,506	2,508	2,508	
			Leaving Air Temperature (F db/F wb)	52.2 / 51.7	56.6 / 56.0	61.2 / 60.4	52.2 / 51.6	56.5 / 55.9	60.8 / 60.2	54.3 / 51.2	57.0 / 55.8	60.5 / 60.1	
	75	12.00	Total Capacity (Btu/h)	48,500	52,000	55,000	48,500	52,000	55,500	51,000	52,000	55,500	
			Sensible Capacity (Btu/h)	38,500	31,000	23,400	46,500	40,000	32,800	51,000	48,000	41,000	
			Electric Power (Watts)	2,881	2,882	2,880	2,883	2,882	2,879	2,884	2,879	2,884	
			Leaving Air Temperature (F db/F wb)	53.1 / 52.5	57.5 / 56.8	61.8 / 61.2	53.6 / 52.5	57.3 / 56.7	61.6 / 61.0	56.0 / 51.9	57.7 / 56.7	61.7 / 60.9	
85	12.00	Total Capacity (Btu/h)	46,000	49,000	52,000	46,000	49,500	52,500	48,500	49,500	53,000		
		Sensible Capacity (Btu/h)	37,200	30,200	22,400	45,000	39,000	31,600	48,500	46,500	40,500		
		Electric Power (Watts)	3,189	3,182	3,179	3,188	3,184	3,180	3,187	3,187	3,182		
		Leaving Air Temperature (F db/F wb)	53.8 / 53.1	58.0 / 57.4	62.4 / 61.7	54.3 / 53.0	57.9 / 57.3	62.2 / 61.6	57.3 / 52.4	58.6 / 57.2	62.1 / 61.5		

UNIT DATA - PRRW 048

	AIRFLOW (CFM)	EWT (°F)	WATER FLOW (GPM)	ENTERING AIR TEMPERATURE (°F)			
				50	60	70	
RECIRCULATING AIR HEATING	1,200	40	12.00	Total Capacity (Btu/h)	43,500	42,500	41,500
				Electric Power (Watts)	2,576	2,822	3,097
				Leaving Air Temperature (°F)	83.3	92.6	102
		50	12.00	Total Capacity (Btu/h)	49,000	48,000	47,000
				Electric Power (Watts)	2,677	2,931	3,217
				Leaving Air Temperature (°F)	87.7	97	106.3
		60	12.00	Total Capacity (Btu/h)	55,000	54,000	53,000
				Electric Power (Watts)	2,787	3,051	3,346
				Leaving Air Temperature (°F)	92.5	101.6	110.8
	70	12.00	Total Capacity (Btu/h)	61,500	60,500	59,500	
			Electric Power (Watts)	2,902	3,175	3,480	
			Leaving Air Temperature (°F)	97.5	106.5	115.6	
	1,400	40	12.00	Total Capacity (Btu/h)	43,500	43,000	42,000
				Electric Power (Watts)	2,488	2,726	2,995
				Leaving Air Temperature (°F)	78.8	88.2	97.6
		50	12.00	Total Capacity (Btu/h)	49,500	48,500	47,500
				Electric Power (Watts)	2,573	2,817	3,094
				Leaving Air Temperature (°F)	82.7	92	101.4
		60	12.00	Total Capacity (Btu/h)	56,000	54,500	53,500
				Electric Power (Watts)	2,663	2,915	3,199
				Leaving Air Temperature (°F)	86.8	96.1	105.3
	70	12.00	Total Capacity (Btu/h)	62,500	61,000	60,000	
			Electric Power (Watts)	2,757	3,016	3,307	
			Leaving Air Temperature (°F)	91.2	100.3	109.5	
1,600	40	12.00	Total Capacity (Btu/h)	44,500	43,500	42,000	
			Electric Power (Watts)	2,424	2,656	2,922	
			Leaving Air Temperature (°F)	75.6	85	94.3	
	50	12.00	Total Capacity (Btu/h)	50,500	49,000	48,000	
			Electric Power (Watts)	2,497	2,735	3,004	
			Leaving Air Temperature (°F)	79	88.2	97.6	
	60	12.00	Total Capacity (Btu/h)	56,500	55,000	54,000	
			Electric Power (Watts)	2,574	2,816	3,092	
			Leaving Air Temperature (°F)	82.5	91.8	101.2	
70	12.00	Total Capacity (Btu/h)	63,000	62,000	60,500		
		Electric Power (Watts)	2,652	2,901	3,182		
		Leaving Air Temperature (°F)	86.5	95.6	104.9		

UNIT DATA- PROW 060

	AIRFLOW (CFM)	EWT (°F)	WATER FLOW (GPM)		ENTERING AIR TEMPERATURE (°F)								
					90 DB			95 DB			100 DB		
					76 WB	78 WB	80 WB	76 WB	78 WB	80 WB	76 WB	78 WB	80 WB
100% OUTSIDE AIR COOLING	625	50	15.00	Total Capacity (Btu/h)	59,000	61,500	63,500	59,500	61,500	64,000	59,500	61,500	64,000
				Sensible Capacity (Btu/h)	29,000	27,400	25,800	32,600	31,000	29,400	36,000	34,400	33,000
				Electric Power (Watts)	2,995	2,998	3,004	2,999	3,001	3,005	3,001	3,006	3,012
				Leaving Air Temperature (F db/F wb)	48.4 / 46.5	50.7 / 48.9	52.0 / 51.3	48.2 / 46.3	50.5 / 48.6	52.9 / 51.0	48.0 / 46.1	50.4 / 48.4	52.8 / 50.8
		60	15.00	Total Capacity (Btu/h)	57,500	59,500	61,500	57,500	59,500	62,000	57,500	60,000	62,000
				Sensible Capacity (Btu/h)	28,000	26,600	25,000	31,600	30,000	28,600	35,200	33,600	32,000
				Electric Power (Watts)	3,294	3,295	3,302	3,296	3,302	3,303	3,298	3,304	3,311
				Leaving Air Temperature (F db/F wb)	49.6 / 47.7	52.0 / 50.0	54.4 / 52.4	49.4 / 47.5	51.8 / 49.8	54.1 / 52.2	49.3 / 47.3	51.7 / 49.6	54.0 / 52.0
		75	15.00	Total Capacity (Btu/h)	54,500	56,500	58,500	54,500	57,000	59,000	55,000	57,000	59,000
				Sensible Capacity (Btu/h)	26,800	25,200	23,800	30,400	28,800	27,200	33,800	32,200	30,800
				Electric Power (Watts)	3,787	3,792	3,792	3,789	3,794	3,801	3,790	3,797	3,804
				Leaving Air Temperature (F db/F wb)	51.6 / 49.5	53.9 / 51.9	56.2 / 54.2	51.4 / 49.3	53.7 / 51.6	56.1 / 54.0	51.2 / 49.2	53.6 / 51.5	55.9 / 53.7
85	15.00	Total Capacity (Btu/h)	52,500	54,500	56,500	52,500	54,500	57,000	53,000	55,000	57,000		
		Sensible Capacity (Btu/h)	25,800	24,200	22,800	29,400	27,800	26,200	32,800	31,400	29,800		
		Electric Power (Watts)	4,165	4,170	4,166	4,167	4,172	4,178	4,169	4,174	4,181		
		Leaving Air Temperature (F db/F wb)	52.9 / 50.8	55.3 / 53.1	57.4 / 55.4	52.7 / 50.6	55.1 / 52.9	57.4 / 55.2	52.6 / 50.4	54.9 / 52.7	57.2 / 55.0		
800	50	15.00	Total Capacity (Btu/h)	65,000	67,000	69,000	65,000	67,000	70,000	65,000	67,000	70,000	
			Sensible Capacity (Btu/h)	32,400	30,400	28,400	37,000	35,000	33,000	41,500	39,500	37,400	
			Electric Power (Watts)	3,007	3,015	3,023	3,010	3,016	3,025	3,011	3,019	3,028	
			Leaving Air Temperature (F db/F wb)	53.6 / 52.0	55.9 / 54.3	58.4 / 56.7	53.4 / 51.8	55.8 / 54.1	58.2 / 56.5	53.3 / 51.7	55.6 / 54.0	58.0 / 56.4	
	60	15.00	Total Capacity (Btu/h)	62,500	65,000	67,000	63,000	65,000	68,000	63,000	65,000	68,000	
			Sensible Capacity (Btu/h)	31,600	29,600	27,600	36,000	34,200	32,200	40,500	38,500	36,600	
			Electric Power (Watts)	3,305	3,313	3,322	3,308	3,314	3,324	3,309	3,318	3,327	
			Leaving Air Temperature (F db/F wb)	54.6 / 53.0	56.9 / 55.3	59.3 / 57.7	54.4 / 52.8	56.7 / 55.1	59.1 / 57.5	54.3 / 52.7	56.6 / 55.0	59.0 / 57.3	
	75	15.00	Total Capacity (Btu/h)	59,500	61,500	64,000	59,500	62,000	64,000	59,500	62,000	64,000	
			Sensible Capacity (Btu/h)	30,200	28,200	26,200	34,800	32,800	30,800	39,000	37,200	35,200	
			Electric Power (Watts)	3,795	3,803	3,813	3,798	3,804	3,814	3,800	3,808	3,818	
			Leaving Air Temperature (F db/F wb)	56.1 / 54.5	58.4 / 56.8	60.8 / 59.1	55.9 / 54.3	58.2 / 56.6	60.6 / 58.9	55.8 / 54.2	58.2 / 56.5	60.5 / 58.8	
85	15.00	Total Capacity (Btu/h)	57,000	59,000	61,500	57,500	59,500	61,500	57,500	59,500	61,500		
		Sensible Capacity (Btu/h)	29,000	27,400	25,400	33,800	31,800	30,000	38,500	36,400	34,400		
		Electric Power (Watts)	4,179	4,176	4,185	4,172	4,181	4,187	4,174	4,182	4,191		
		Leaving Air Temperature (F db/F wb)	57.4 / 55.6	59.5 / 57.8	61.8 / 60.1	57.0 / 55.4	59.3 / 57.7	61.6 / 60.0	56.9 / 55.3	59.2 / 57.5	61.5 / 59.8		
1,000	50	15.00	Total Capacity (Btu/h)	69,000	72,000	74,000	69,000	72,000	74,000	69,000	72,000	74,000	
			Sensible Capacity (Btu/h)	36,000	33,600	31,000	41,500	39,000	36,800	47,000	44,500	42,500	
			Electric Power (Watts)	3,022	3,031	3,041	3,027	3,032	3,043	3,026	3,038	3,043	
			Leaving Air Temperature (F db/F wb)	57.6 / 56.3	60.0 / 58.6	62.3 / 61.0	57.6 / 56.2	59.8 / 58.5	62.2 / 60.8	57.4 / 56.1	59.8 / 58.4	62.0 / 60.7	
	60	15.00	Total Capacity (Btu/h)	67,000	69,000	72,000	67,000	69,000	72,000	67,000	70,000	72,000	
			Sensible Capacity (Btu/h)	35,200	32,600	30,200	40,500	38,500	35,800	46,500	44,000	41,500	
			Electric Power (Watts)	3,320	3,330	3,341	3,323	3,331	3,342	3,324	3,334	3,348	
			Leaving Air Temperature (F db/F wb)	58.4 / 57.1	60.8 / 59.4	63.1 / 61.7	58.3 / 57.0	60.6 / 59.3	62.9 / 61.6	58.2 / 56.9	60.5 / 59.2	62.9 / 61.5	
	75	15.00	Total Capacity (Btu/h)	63,500	65,000	68,000	63,500	66,000	68,000	63,500	66,000	68,000	
			Sensible Capacity (Btu/h)	33,800	31,400	28,800	39,500	37,000	34,600	45,000	42,500	40,000	
			Electric Power (Watts)	3,810	3,820	3,831	3,813	3,821	3,832	3,814	3,824	3,840	
			Leaving Air Temperature (F db/F wb)	59.7 / 58.4	62.0 / 60.6	64.3 / 62.9	59.6 / 58.3	61.8 / 60.5	64.1 / 62.8	59.5 / 58.2	61.8 / 60.4	64.2 / 62.7	
85	15.00	Total Capacity (Btu/h)	60,500	63,000	65,000	61,000	63,000	65,000	61,000	63,000	65,000		
		Sensible Capacity (Btu/h)	32,800	30,400	28,000	38,500	35,800	33,600	44,000	41,500	39,000		
		Electric Power (Watts)	4,181	4,191	4,202	4,186	4,200	4,203	4,188	4,196	4,213		
		Leaving Air Temperature (F db/F wb)	60.5 / 59.2	62.8 / 61.5	65.1 / 63.8	60.5 / 59.1	62.9 / 61.4	64.9 / 63.6	60.4 / 59.0	62.6 / 61.3	65.1 / 63.5		

UNIT DATA - PROW 060

	AIRFLOW (CFM)	EWT (°F)	WATER FLOW (GPM)		ENTERING AIR TEMPERATURE (°F)		
					20	30	40
100% OUTSIDE AIR HEATING	625	40	15.00	Total Capacity (Btu/h)	53,000	52,000	51,500
				Electric Power (Watts)	4,166	4,492	4,845
				Leaving Air Temperature (°F)	98.2	107.2	116.3
		50	15.00	Total Capacity (Btu/h)	60,000	59,000	58,500
				Electric Power (Watts)	4,494	4,838	5,205
				Leaving Air Temperature (°F)	108.4	117	126.1
		60	15.00	Total Capacity (Btu/h)	67,000	66,000	65,000
				Electric Power (Watts)	4,883	5,227	5,539
				Leaving Air Temperature (°F)	118.8	127.3	136.5
		70	15.00	Total Capacity (Btu/h)	74,000	73,000	73,000
				Electric Power (Watts)	5,290	5,624	6,154
				Leaving Air Temperature (°F)	129.3	137.9	147.3
	800	40	15.00	Total Capacity (Btu/h)	54,000	53,000	52,500
				Electric Power (Watts)	3,809	4,107	4,438
				Leaving Air Temperature (°F)	82.2	91.3	100.3
		50	15.00	Total Capacity (Btu/h)	61,500	60,000	59,500
				Electric Power (Watts)	4,061	4,368	4,717
				Leaving Air Temperature (°F)	90.8	99.4	108.5
		60	15.00	Total Capacity (Btu/h)	68,000	67,000	67,000
				Electric Power (Watts)	4,323	4,662	5,031
				Leaving Air Temperature (°F)	99	107.7	116.8
		70	15.00	Total Capacity (Btu/h)	77,000	75,000	74,000
				Electric Power (Watts)	4,651	4,998	5,363
				Leaving Air Temperature (°F)	108.3	116.5	125.2
1,000	40	15.00	Total Capacity (Btu/h)	54,500	54,000	53,000	
			Electric Power (Watts)	3,571	3,852	4,166	
			Leaving Air Temperature (°F)	70.5	79.7	89.1	
	50	15.00	Total Capacity (Btu/h)	62,000	61,000	60,500	
			Electric Power (Watts)	3,752	4,049	4,374	
			Leaving Air Temperature (°F)	77.3	86.5	95.6	
	60	15.00	Total Capacity (Btu/h)	70,000	69,000	68,000	
			Electric Power (Watts)	3,967	4,277	4,617	
			Leaving Air Temperature (°F)	84.9	93.6	102.6	
	70	15.00	Total Capacity (Btu/h)	78,000	77,000	76,000	
			Electric Power (Watts)	4,212	4,539	4,892	
			Leaving Air Temperature (°F)	92.1	100.8	109.8	

UNIT DATA- PRRW 060

	AIRFLOW (CFM)	EWT (°F)	WATER FLOW (GPM)		ENTERING AIR TEMPERATURE (°F)								
					75 DB			80 DB			85 DB		
					63 WB	67 WB	71 WB	63 WB	67 WB	71 WB	63 WB	67 WB	71 WB
RECIRCULATING AIR COOLING	1,500	50	15.00	Total Capacity (Btu/h)	65,000	70,000	74,000	66,000	70,000	75,000	66,000	71,000	75,000
				Sensible Capacity (Btu/h)	44,500	37,200	29,800	53,000	46,000	38,500	60,500	54,500	47,000
				Electric Power (Watts)	2,875	2,893	2,911	2,877	2,891	2,915	2,882	2,895	2,917
				Leaving Air Temperature (F db/F wb)	48.0 / 47.2	52.6 / 51.6	57.1 / 56.1	47.8 / 47.0	52.1 / 51.4	57.0 / 55.9	48.3 / 46.9	52.1 / 51.3	56.8 / 55.8
		60	15.00	Total Capacity (Btu/h)	63,000	67,000	71,000	63,000	68,000	72,000	63,000	68,000	72,000
				Sensible Capacity (Btu/h)	43,500	36,000	28,600	52,000	45,000	37,400	59,000	53,000	46,000
				Electric Power (Watts)	3,184	3,204	3,224	3,185	3,204	3,224	3,187	3,205	3,229
				Leaving Air Temperature (F db/F wb)	48.6 / 47.9	53.3 / 52.3	57.9 / 56.8	48.5 / 47.8	52.9 / 52.1	57.5 / 56.7	49.0 / 47.7	52.8 / 52.0	57.2 / 56.4
		75	15.00	Total Capacity (Btu/h)	59,000	63,000	67,000	59,000	63,000	68,000	59,000	63,000	68,000
				Sensible Capacity (Btu/h)	41,500	34,600	27,200	50,000	43,000	35,800	57,000	50,500	44,500
				Electric Power (Watts)	3,689	3,707	3,726	3,691	3,710	3,734	3,692	3,710	3,735
				Leaving Air Temperature (F db/F wb)	49.8 / 49.0	54.1 / 53.3	58.7 / 57.9	49.7 / 48.9	54.2 / 53.3	58.5 / 57.6	50.3 / 48.9	54.6 / 53.2	58.3 / 57.5
85	15.00	Total Capacity (Btu/h)	56,000	59,500	64,000	56,000	60,000	64,000	56,500	60,500	64,500		
		Sensible Capacity (Btu/h)	40,000	32,800	26,200	48,500	42,000	34,400	55,500	50,000	43,000		
		Electric Power (Watts)	4,072	4,091	4,110	4,073	4,091	4,113	4,076	4,097	4,117		
		Leaving Air Temperature (F db/F wb)	50.7 / 49.9	55.2 / 54.2	59.3 / 58.5	50.5 / 49.7	54.8 / 54.0	59.4 / 58.4	51.1 / 49.6	54.7 / 53.8	59.1 / 58.2		
1,750	50	15.00	Total Capacity (Btu/h)	68,000	72,000	77,000	68,000	73,000	77,000	68,000	73,000	77,000	
			Sensible Capacity (Btu/h)	48,500	40,000	31,200	56,500	50,000	41,000	66,000	59,500	51,500	
			Electric Power (Watts)	2,883	2,899	2,923	2,888	2,903	2,926	2,886	2,904	2,926	
			Leaving Air Temperature (F db/F wb)	49.9 / 49.2	54.3 / 53.6	59.0 / 58.1	50.6 / 49.2	54.1 / 53.4	58.8 / 57.9	50.4 / 49.0	54.0 / 53.3	58.5 / 57.8	
	60	15.00	Total Capacity (Btu/h)	65,000	70,000	73,000	65,000	69,000	75,000	66,000	70,000	75,000	
			Sensible Capacity (Btu/h)	47,000	39,000	30,200	55,500	48,500	40,000	65,000	57,000	50,500	
			Electric Power (Watts)	3,193	3,212	3,232	3,194	3,213	3,241	3,196	3,216	3,241	
			Leaving Air Temperature (F db/F wb)	50.5 / 49.8	54.9 / 54.2	59.4 / 58.7	51.0 / 49.8	54.8 / 54.1	59.3 / 58.4	51.1 / 49.6	55.5 / 54.0	59.0 / 58.3	
	75	15.00	Total Capacity (Btu/h)	61,000	64,500	69,000	60,500	65,000	69,000	62,000	65,000	70,000	
			Sensible Capacity (Btu/h)	45,500	37,000	28,800	53,500	47,000	38,500	62,000	55,500	48,500	
			Electric Power (Watts)	3,696	3,715	3,740	3,700	3,720	3,745	3,704	3,721	3,748	
			Leaving Air Temperature (F db/F wb)	51.5 / 50.9	55.9 / 55.2	60.2 / 59.5	52.2 / 50.8	55.7 / 55.0	60.1 / 59.4	52.7 / 50.5	56.2 / 55.0	60.0 / 59.3	
85	15.00	Total Capacity (Btu/h)	58,000	61,500	66,000	58,000	62,000	66,000	59,500	62,000	66,000		
		Sensible Capacity (Btu/h)	44,000	35,600	27,000	52,500	46,000	37,400	59,500	54,000	47,000		
		Electric Power (Watts)	4,078	4,095	4,124	4,081	4,095	4,124	4,088	4,104	4,127		
		Leaving Air Temperature (F db/F wb)	52.2 / 51.5	56.6 / 55.9	61.1 / 60.2	52.7 / 51.4	56.1 / 55.7	60.7 / 60.0	54.0 / 51.1	56.9 / 55.6	60.6 / 59.9		
2,000	50	15.00	Total Capacity (Btu/h)	70,000	74,000	79,000	70,000	75,000	79,000	70,000	75,000	80,000	
			Sensible Capacity (Btu/h)	52,000	42,500	32,600	62,000	53,500	44,000	70,000	63,500	55,500	
			Electric Power (Watts)	2,890	2,909	2,935	2,889	2,914	2,934	2,894	2,914	2,938	
			Leaving Air Temperature (F db/F wb)	51.5 / 50.9	55.7 / 55.1	60.3 / 59.5	51.8 / 50.7	55.7 / 55.0	60.1 / 59.5	52.9 / 50.5	56.2 / 54.9	59.9 / 59.3	
	60	15.00	Total Capacity (Btu/h)	67,000	71,000	76,000	67,000	72,000	76,000	68,000	71,000	76,000	
			Sensible Capacity (Btu/h)	51,000	41,000	31,800	60,500	52,500	43,000	68,000	61,500	54,500	
			Electric Power (Watts)	3,199	3,218	3,245	3,201	3,222	3,249	3,208	3,226	3,250	
			Leaving Air Temperature (F db/F wb)	51.9 / 51.4	56.4 / 55.8	60.7 / 60.1	52.5 / 51.3	56.2 / 55.6	60.5 / 59.9	54.1 / 51.1	57.0 / 55.5	60.4 / 59.8	
	75	15.00	Total Capacity (Btu/h)	62,500	67,000	71,000	62,500	67,000	71,000	64,500	67,000	72,000	
			Sensible Capacity (Btu/h)	49,000	39,000	29,600	58,500	50,500	41,500	64,500	60,500	53,000	
			Electric Power (Watts)	3,703	3,729	3,754	3,699	3,728	3,755	3,718	3,730	3,757	
			Leaving Air Temperature (F db/F wb)	52.8 / 52.2	57.3 / 56.5	61.7 / 60.9	53.3 / 52.2	57.0 / 56.4	61.3 / 60.8	55.5 / 51.7	57.6 / 56.3	61.2 / 60.6	
85	15.00	Total Capacity (Btu/h)	59,000	63,000	67,000	59,000	63,500	67,000	62,000	65,000	68,000		
		Sensible Capacity (Btu/h)	47,500	38,500	28,800	57,000	49,500	40,000	62,000	56,000	51,500		
		Electric Power (Watts)	4,087	4,105	4,129	4,088	4,105	4,133	4,102	4,136	4,137		
		Leaving Air Temperature (F db/F wb)	53.5 / 52.8	57.7 / 57.1	62.0 / 61.5	54.1 / 52.8	57.5 / 57.0	61.9 / 61.3	56.7 / 52.2	59.5 / 56.7	61.7 / 61.2		

UNIT DATA- PRRW 060

RECIRCULATING AIR HEATING	AIRFLOW (CFM)	EWT (°F)	WATER FLOW (GPM)	ENTERING AIR TEMPERATURE (°F)			
				50	60	70	
	1,500	40	15.00	Total Capacity (Btu/h)	55,000	54,500	53,500
				Electric Power (Watts)	3,340	3,655	4,004
				Leaving Air Temperature (°F)	84	93.4	102.8
		50	15.00	Total Capacity (Btu/h)	62,500	61,500	60,500
				Electric Power (Watts)	3,478	3,805	4,168
				Leaving Air Temperature (°F)	88.5	97.8	107.2
		60	15.00	Total Capacity (Btu/h)	71,000	69,000	68,000
				Electric Power (Watts)	3,643	3,982	4,356
				Leaving Air Temperature (°F)	93.4	102.6	111.8
	70	15.00	Total Capacity (Btu/h)	79,000	77,000	76,000	
			Electric Power (Watts)	3,836	4,187	4,572	
			Leaving Air Temperature (°F)	98.5	107.6	116.7	
	1,750	40	15.00	Total Capacity (Btu/h)	55,500	54,500	53,500
				Electric Power (Watts)	3,223	3,530	3,871
				Leaving Air Temperature (°F)	79.4	88.8	98.3
		50	15.00	Total Capacity (Btu/h)	63,000	62,000	61,000
				Electric Power (Watts)	3,337	3,655	4,006
				Leaving Air Temperature (°F)	83.3	92.7	102.1
		60	15.00	Total Capacity (Btu/h)	71,000	70,000	69,000
				Electric Power (Watts)	3,475	3,803	4,164
				Leaving Air Temperature (°F)	87.6	96.9	106.2
	70	15.00	Total Capacity (Btu/h)	80,000	78,000	77,000	
			Electric Power (Watts)	3,638	3,977	4,348	
			Leaving Air Temperature (°F)	92.2	101.3	110.5	
2,000	40	15.00	Total Capacity (Btu/h)	56,000	55,000	54,000	
			Electric Power (Watts)	3,135	3,440	3,774	
			Leaving Air Temperature (°F)	75.9	85.4	94.9	
	50	15.00	Total Capacity (Btu/h)	63,500	62,500	61,000	
			Electric Power (Watts)	3,233	3,545	3,889	
			Leaving Air Temperature (°F)	79.4	88.8	98.3	
	60	15.00	Total Capacity (Btu/h)	72,000	70,000	69,000	
			Electric Power (Watts)	3,351	3,673	4,025	
			Leaving Air Temperature (°F)	83.2	92.5	101.9	
70	15.00	Total Capacity (Btu/h)	81,000	79,000	77,000		
		Electric Power (Watts)	3,493	3,824	4,184		
		Leaving Air Temperature (°F)	87.2	96.5	105.7		

UNIT DATA- PROW 072

100% OUTSIDE AIR COOLING	AIRFLOW (CFM)	EWT (°F)	WATER FLOW (GPM)		ENTERING AIR TEMPERATURE (°F)								
					90 DB			95 DB			100 DB		
					76 WB	78 WB	80 WB	76 WB	78 WB	80 WB	76 WB	78 WB	80 WB
750	50	18.00	Total Capacity (Btu/h)	67,000	69,000	72,000	67,000	70,000	72,000	67,000	70,000	72,000	
			Sensible Capacity (Btu/h)	32,800	31,000	29,200	37,200	35,400	33,400	41,500	39,500	37,800	
			Electric Power (Watts)	3,282	3,292	3,304	3,281	3,280	3,306	3,282	3,292	3,292	
			Leaving Air Temperature (F db/F wb)	50.6 / 48.8	53 / 51.1	55.4 / 53.1	50.5 / 48.6	52.6 / 50.9	55.2 / 53.2	50.3 / 48.5	52.6 / 50.7	54.8 / 53.0	
	60	18.00	Total Capacity (Btu/h)	65,000	67,000	70,000	65,000	68,000	70,000	65,000	68,000	70,000	
			Sensible Capacity (Btu/h)	32,000	30,200	28,200	36,200	34,600	32,600	40,500	38,500	37,000	
			Electric Power (Watts)	3,577	3,599	3,611	3,590	3,589	3,602	3,591	3,602	3,602	
			Leaving Air Temperature (F db/F wb)	51.6 / 49.8	54.1 / 52.2	56.5 / 54.5	51.7 / 49.7	53.7 / 52.0	56.1 / 54.3	51.5 / 49.5	53.8 / 51.8	55.9 / 54.1	
	75	18.00	Total Capacity (Btu/h)	61,500	64,000	66,000	61,500	64,000	67,000	62,000	64,000	67,000	
			Sensible Capacity (Btu/h)	30,400	28,800	26,800	34,600	33,000	31,200	39,000	37,000	35,200	
			Electric Power (Watts)	4,101	4,098	4,121	4,102	4,099	4,114	4,103	4,114	4,128	
			Leaving Air Temperature (F db/F wb)	53.6 / 51.6	55.7 / 53.9	58.2 / 56.2	53.4 / 51.4	55.5 / 53.7	57.8 / 56.0	53.3 / 51.3	55.6 / 53.5	57.9 / 55.8	
85	18.00	Total Capacity (Btu/h)	59,000	61,500	63,500	59,500	61,500	64,000	59,500	62,000	64,000		
		Sensible Capacity (Btu/h)	29,200	27,800	25,800	33,600	31,800	30,200	37,800	36,000	34,200		
		Electric Power (Watts)	4,494	4,486	4,510	4,495	4,506	4,502	4,495	4,506	4,519		
		Leaving Air Temperature (F db/F wb)	54.9 / 52.8	56.9 / 55.1	59.4 / 57.4	54.7 / 52.6	57.0 / 54.9	59.1 / 57.2	54.6 / 52.5	56.8 / 54.7	59.2 / 57.0		
960	50	18.00	Total Capacity (Btu/h)	73,000	76,000	78,000	73,000	76,000	79,000	73,000	76,000	79,000	
			Sensible Capacity (Btu/h)	37,200	34,800	32,200	42,500	40,500	38,000	48,000	46,000	43,000	
			Electric Power (Watts)	3,295	3,308	3,339	3,295	3,309	3,325	3,306	3,308	3,344	
			Leaving Air Temperature (F db/F wb)	55.2 / 53.8	57.5 / 56.1	60.1 / 58.5	55.0 / 53.7	57.3 / 56.0	59.7 / 58.3	55.1 / 53.5	57.2 / 55.9	59.8 / 58.1	
	60	18.00	Total Capacity (Btu/h)	71,000	73,000	76,000	71,000	74,000	76,000	71,000	74,000	76,000	
			Sensible Capacity (Btu/h)	36,200	33,800	31,400	41,500	39,500	37,000	47,000	44,500	42,000	
			Electric Power (Watts)	3,605	3,620	3,636	3,605	3,621	3,637	3,616	3,635	3,652	
			Leaving Air Temperature (F db/F wb)	56.1 / 54.7	58.5 / 57	60.8 / 59.3	55.9 / 54.6	58.3 / 56.9	60.6 / 59.2	56.0 / 54.5	58.4 / 56.7	60.7 / 59.0	
	75	18.00	Total Capacity (Btu/h)	67,000	69,000	72,000	67,000	70,000	72,000	67,000	70,000	72,000	
			Sensible Capacity (Btu/h)	34,600	32,200	29,800	40,000	37,800	35,400	45,000	42,500	40,500	
			Electric Power (Watts)	4,115	4,130	4,147	4,115	4,132	4,149	4,134	4,155	4,169	
			Leaving Air Temperature (F db/F wb)	57.6 / 56.2	59.9 / 58.4	62.2 / 60.7	57.4 / 56.1	59.7 / 58.3	62.0 / 60.5	57.6 / 55.9	60.1 / 58.1	62.3 / 60.4	
85	18.00	Total Capacity (Btu/h)	64,000	67,000	69,000	64,500	67,000	69,000	64,500	67,000	69,000		
		Sensible Capacity (Btu/h)	33,600	31,200	28,800	39,000	36,800	34,400	44,000	41,500	39,500		
		Electric Power (Watts)	4,502	4,517	4,533	4,501	4,518	4,535	4,523	4,545	4,558		
		Leaving Air Temperature (F db/F wb)	58.6 / 57.2	60.9 / 59.4	63.2 / 61.7	58.4 / 57.1	60.7 / 59.3	63.0 / 61.5	58.7 / 56.9	61.1 / 59.1	63.4 / 61.4		
1,200	50	18.00	Total Capacity (Btu/h)	78,000	81,000	84,000	78,000	81,000	84,000	78,000	81,000	84,000	
			Sensible Capacity (Btu/h)	41,500	38,500	35,400	48,000	45,000	42,000	54,500	52,000	49,000	
			Electric Power (Watts)	3,337	3,353	3,371	3,339	3,356	3,375	3,340	3,358	3,377	
			Leaving Air Temperature (F db/F wb)	59.1 / 57.8	61.4 / 60.1	63.7 / 62.4	59.0 / 57.7	61.3 / 59.9	63.6 / 62.2	58.9 / 57.6	61.2 / 59.8	63.5 / 62.1	
	60	18.00	Total Capacity (Btu/h)	75,000	78,000	81,000	76,000	78,000	81,000	76,000	78,000	81,000	
			Sensible Capacity (Btu/h)	40,500	37,400	34,400	47,000	44,000	41,000	53,500	51,000	48,000	
			Electric Power (Watts)	3,643	3,660	3,678	3,645	3,663	3,682	3,647	3,664	3,684	
			Leaving Air Temperature (F db/F wb)	59.8 / 58.5	62.1 / 60.8	64.4 / 63.1	59.7 / 58.4	62.0 / 60.7	64.3 / 62.9	59.7 / 58.3	61.9 / 60.6	64.2 / 62.8	
	75	18.00	Total Capacity (Btu/h)	71,000	74,000	76,000	71,000	74,000	76,000	71,000	74,000	77,000	
			Sensible Capacity (Btu/h)	38,500	35,800	33,000	45,500	42,500	39,500	52,000	49,000	46,500	
			Electric Power (Watts)	4,150	4,167	4,178	4,152	4,170	4,189	4,153	4,172	4,191	
			Leaving Air Temperature (F db/F wb)	61.0 / 59.7	63.3 / 62	65.4 / 64.2	60.9 / 59.6	63.2 / 61.8	65.4 / 64.1	60.8 / 59.5	63.1 / 61.7	65.4 / 64.0	
85	18.00	Total Capacity (Btu/h)	68,000	70,000	73,000	68,000	71,000	73,000	68,000	71,000	73,000		
		Sensible Capacity (Btu/h)	37,600	34,800	32,000	44,500	41,500	38,500	51,000	48,000	45,500		
		Electric Power (Watts)	4,536	4,552	4,562	4,538	4,555	4,574	4,540	4,557	4,575		
		Leaving Air Temperature (F db/F wb)	61.8 / 60.5	64.1 / 62.8	66.2 / 65.0	61.8 / 60.4	64.0 / 62.7	66.3 / 64.9	61.7 / 60.3	63.9 / 62.6	66.2 / 64.8		

UNIT DATA- PROW 072

	AIRFLOW (CFM)	EWT (°F)	WATER FLOW (GPM)		ENTERING AIR TEMPERATURE (°F)		
					20	30	40
100% OUTSIDE AIR HEATING	750	40	18.00	Total Capacity (Btu/h)	56,500	55,500	54,500
				Electric Power (Watts)	3,957	4,276	4,628
				Leaving Air Temperature (°F)	89.5	98.2	107.1
		50	18.00	Total Capacity (Btu/h)	63,500	62,500	61,500
				Electric Power (Watts)	4,287	4,636	4,999
				Leaving Air Temperature (°F)	98.2	107	115.9
		60	18.00	Total Capacity (Btu/h)	71,000	70,000	69,000
				Electric Power (Watts)	4,629	4,986	5,368
				Leaving Air Temperature (°F)	107.5	116.3	125
		70	18.00	Total Capacity (Btu/h)	79,000	78,000	77,000
				Electric Power (Watts)	5,020	5,375	5,761
				Leaving Air Temperature (°F)	117.8	125.6	134.2
	960	40	18.00	Total Capacity (Btu/h)	58,000	56,500	55,500
				Electric Power (Watts)	3,629	3,916	4,239
				Leaving Air Temperature (°F)	75.7	84.5	93.5
		50	18.00	Total Capacity (Btu/h)	65,000	64,000	63,000
				Electric Power (Watts)	3,871	4,188	4,535
				Leaving Air Temperature (°F)	82.7	91.5	100.4
		60	18.00	Total Capacity (Btu/h)	73,000	72,000	71,000
				Electric Power (Watts)	4,160	4,480	4,827
				Leaving Air Temperature (°F)	90.4	99.2	108
		70	18.00	Total Capacity (Btu/h)	82,000	80,000	79,000
				Electric Power (Watts)	4,444	4,780	5,143
				Leaving Air Temperature (°F)	98.7	107.2	115.8
1,200	40	18.00	Total Capacity (Btu/h)	59,000	57,500	56,500	
			Electric Power (Watts)	3,381	3,667	3,976	
			Leaving Air Temperature (°F)	65.2	74.3	83.5	
	50	18.00	Total Capacity (Btu/h)	67,000	65,000	64,000	
			Electric Power (Watts)	3,586	3,887	4,215	
			Leaving Air Temperature (°F)	71.2	80.1	89.2	
	60	18.00	Total Capacity (Btu/h)	75,000	73,000	72,000	
			Electric Power (Watts)	3,834	4,148	4,466	
			Leaving Air Temperature (°F)	77.8	86.3	95.2	
	70	18.00	Total Capacity (Btu/h)	84,000	82,000	81,000	
			Electric Power (Watts)	4,070	4,381	4,715	
			Leaving Air Temperature (°F)	84.5	93.1	102.1	

UNIT DATA- PRRW 072

RECIRCULATING AIR COOLING	AIRFLOW (CFM)	EWT (°F)	WATER FLOW (GPM)		ENTERING AIR TEMPERATURE (°F)								
					75 DB			80 DB			85 DB		
					63 WB	67 WB	71 WB	63 WB	67 WB	71 WB	63 WB	67 WB	71 WB
1,800	50	18.00	Total Capacity (Btu/h)	76,000	82,000	87,000	76,000	82,000	88,000	76,000	82,000	88,000	
			Sensible Capacity (Btu/h)	52,500	44,000	35,800	62,500	54,000	45,500	71,000	64,000	55,500	
			Electric Power (Watts)	3,631	3,665	3,685	3,633	3,668	3,710	3,635	3,670	3,713	
			Leaving Air Temperature (F db/F wb)	48.5 / 47.8	52.9 / 52.1	57.1 / 56.5	48.5 / 47.7	52.8 / 52.0	57.2 / 56.4	49.0 / 47.6	52.7 / 51.9	57.1 / 56.3	
	60	18.00	Total Capacity (Btu/h)	73,000	79,000	84,000	73,000	79,000	84,000	74,000	79,000	85,000	
			Sensible Capacity (Btu/h)	51,000	43,000	34,400	61,000	53,000	44,500	70,000	63,000	54,500	
			Electric Power (Watts)	3,989	4,024	4,051	3,991	4,027	4,068	3,994	4,029	4,069	
			Leaving Air Temperature (F db/F wb)	49.2 / 48.4	53.5 / 52.7	57.8 / 57.1	49.1 / 48.4	53.4 / 52.6	57.8 / 57.0	49.7 / 48.2	53.3 / 52.5	57.7 / 56.9	
	75	18.00	Total Capacity (Btu/h)	69,000	74,000	79,000	69,000	74,000	79,000	69,000	74,000	80,000	
			Sensible Capacity (Btu/h)	49,000	41,000	32,600	59,000	51,000	42,500	68,000	61,000	52,500	
			Electric Power (Watts)	4,577	4,611	4,640	4,580	4,614	4,654	4,583	4,616	4,658	
			Leaving Air Temperature (F db/F wb)	50.2 / 49.4	54.5 / 53.7	58.7 / 58.1	50.1 / 49.3	54.4 / 53.6	58.7 / 57.9	50.8 / 49.2	54.3 / 53.5	58.7 / 57.8	
85	18.00	Total Capacity (Btu/h)	66,000	71,000	76,000	66,000	71,000	76,000	66,000	71,000	76,000		
		Sensible Capacity (Btu/h)	48,000	39,500	31,400	56,500	49,500	41,000	66,000	59,500	51,000		
		Electric Power (Watts)	5,021	5,055	5,084	5,026	5,060	5,097	5,023	5,061	5,101		
		Leaving Air Temperature (F db/F wb)	50.9 / 50.1	55.1 / 54.4	59.4 / 58.7	51.3 / 50.0	55.1 / 54.2	59.4 / 58.6	51.5 / 49.9	55.0 / 54.2	59.3 / 58.5		
2,100	50	18.00	Total Capacity (Btu/h)	79,000	84,000	90,000	79,000	84,000	90,000	79,000	85,000	91,000	
			Sensible Capacity (Btu/h)	57,000	47,000	37,600	67,000	59,000	49,000	78,000	69,000	60,500	
			Electric Power (Watts)	3,647	3,685	3,706	3,649	3,682	3,733	3,653	3,689	3,736	
			Leaving Air Temperature (F db/F wb)	50.4 / 49.7	54.7 / 54.0	58.9 / 58.4	50.9 / 49.7	54.6 / 53.9	59.0 / 58.3	51.1 / 49.5	55.1 / 53.8	58.9 / 58.2	
	60	18.00	Total Capacity (Btu/h)	76,000	81,000	87,000	76,000	81,000	87,000	77,000	82,000	87,000	
			Sensible Capacity (Btu/h)	55,500	46,000	36,400	66,000	57,500	47,500	77,000	68,000	59,500	
			Electric Power (Watts)	4,005	4,043	4,070	4,007	4,043	4,090	4,001	4,052	4,093	
			Leaving Air Temperature (F db/F wb)	51.0 / 50.3	55.3 / 54.6	59.4 / 58.9	51.5 / 50.2	55.1 / 54.5	59.5 / 58.8	51.7 / 50.0	55.8 / 54.4	59.5 / 58.7	
	75	18.00	Total Capacity (Btu/h)	71,000	76,000	81,000	71,000	76,000	82,000	73,000	77,000	82,000	
			Sensible Capacity (Btu/h)	53,500	44,000	33,400	63,500	55,500	46,000	73,000	66,000	57,500	
			Electric Power (Watts)	4,591	4,628	4,676	4,594	4,631	4,675	4,601	4,634	4,678	
			Leaving Air Temperature (F db/F wb)	51.8 / 51.2	56.1 / 55.4	60.7 / 59.8	52.4 / 51.1	56.1 / 55.4	60.4 / 59.6	53.3 / 50.8	56.6 / 55.3	60.3 / 59.5	
85	18.00	Total Capacity (Btu/h)	68,000	73,000	78,000	68,000	73,000	78,000	70,000	73,000	78,000		
		Sensible Capacity (Btu/h)	52,000	42,500	32,000	62,000	54,000	44,000	70,000	64,500	56,000		
		Electric Power (Watts)	5,036	5,071	5,118	5,039	5,075	5,124	5,051	5,076	5,126		
		Leaving Air Temperature (F db/F wb)	52.5 / 51.8	56.7 / 56.0	61.3 / 60.3	53.0 / 51.7	56.7 / 55.9	61.2 / 60.2	54.5 / 51.3	57.2 / 55.8	61.0 / 60.1		
2,400	50	18.00	Total Capacity (Btu/h)	81,000	86,000	92,000	81,000	87,000	93,000	83,000	87,000	93,000	
			Sensible Capacity (Btu/h)	61,000	50,000	38,500	72,000	63,500	52,500	83,000	75,000	66,000	
			Electric Power (Watts)	3,655	3,700	3,746	3,663	3,703	3,745	3,677	3,706	3,738	
			Leaving Air Temperature (F db/F wb)	51.8 / 51.3	56.2 / 55.5	60.5 / 59.9	52.5 / 51.2	56.1 / 55.5	60.3 / 59.8	53.5 / 50.8	56.7 / 55.4	60.2 / 59.7	
	60	18.00	Total Capacity (Btu/h)	78,000	83,000	89,000	78,000	83,000	89,000	80,000	84,000	89,000	
			Sensible Capacity (Btu/h)	59,500	48,500	37,400	71,000	62,000	51,000	80,000	73,000	64,500	
			Electric Power (Watts)	4,018	4,057	4,102	4,021	4,060	4,105	4,028	4,063	4,105	
			Leaving Air Temperature (F db/F wb)	52.4 / 51.8	56.6 / 56.0	61.0 / 60.4	53.0 / 51.7	56.6 / 55.9	60.9 / 60.2	54.5 / 51.2	57.2 / 55.8	60.8 / 60.1	
	75	18.00	Total Capacity (Btu/h)	73,000	78,000	83,000	73,000	78,000	84,000	76,000	78,000	84,000	
			Sensible Capacity (Btu/h)	57,500	46,500	35,600	69,000	60,000	49,000	76,000	71,000	62,000	
			Electric Power (Watts)	4,603	4,641	4,685	4,607	4,646	4,690	4,626	4,648	4,699	
			Leaving Air Temperature (F db/F wb)	53.1 / 52.5	57.4 / 56.8	61.7 / 61.1	53.8 / 52.4	57.4 / 56.7	61.6 / 61.0	56.0 / 51.9	58.0 / 56.6	61.7 / 60.9	
85	18.00	Total Capacity (Btu/h)	69,000	74,000	79,000	70,000	75,000	80,000	73,000	75,000	80,000		
		Sensible Capacity (Btu/h)	56,000	45,500	33,400	67,000	58,500	48,000	73,000	70,000	60,500		
		Electric Power (Watts)	5,048	5,084	5,133	5,052	5,087	5,128	5,075	5,091	5,140		
		Leaving Air Temperature (F db/F wb)	53.7 / 53.1	57.9 / 57.3	62.5 / 61.6	54.4 / 52.9	57.8 / 57.2	62.1 / 61.5	57.1 / 52.3	58.6 / 57.1	62.2 / 61.4		

UNIT DATA- PRRW 072

	AIRFLOW (CFM)	EWT (°F)	WATER FLOW (GPM)		ENTERING AIR TEMPERATURE (°F)		
					50	60	70
RECIRCULATING AIR HEATING	1,800	40	18.00	Total Capacity (Btu/h)	62,000	61,000	60,500
				Electric Power (Watts)	4,081	4,459	4,879
				Leaving Air Temperature (°F)	81.8	91.4	100.9
		50	18.00	Total Capacity (Btu/h)	71,000	69,000	68,000
				Electric Power (Watts)	4,246	4,637	5,073
				Leaving Air Temperature (°F)	86.2	95.6	105.1
		60	18.00	Total Capacity (Btu/h)	80,000	79,000	78,000
				Electric Power (Watts)	4,450	4,858	5,309
				Leaving Air Temperature (°F)	91	100.3	109.8
	70	18.00	Total Capacity (Btu/h)	90,000	88,000	87,000	
			Electric Power (Watts)	4,693	5,114	5,579	
			Leaving Air Temperature (°F)	96.1	105.2	114.6	
	2,100	40	18.00	Total Capacity (Btu/h)	62,500	61,500	60,500
				Electric Power (Watts)	3,952	4,322	4,732
				Leaving Air Temperature (°F)	77.4	87	96.6
		50	18.00	Total Capacity (Btu/h)	71,000	70,000	69,000
				Electric Power (Watts)	4,088	4,471	4,894
				Leaving Air Temperature (°F)	81.3	90.7	100.4
		60	18.00	Total Capacity (Btu/h)	81,000	79,000	78,000
				Electric Power (Watts)	4,262	4,658	5,094
				Leaving Air Temperature (°F)	85.5	94.8	104.4
	70	18.00	Total Capacity (Btu/h)	91,000	89,000	88,000	
			Electric Power (Watts)	4,473	4,879	5,327	
			Leaving Air Temperature (°F)	89.9	99.2	108.6	
2,400	40	18.00	Total Capacity (Btu/h)	62,500	61,500	60,500	
			Electric Power (Watts)	3,856	4,223	4,625	
			Leaving Air Temperature (°F)	74.1	83.7	93.4	
	50	18.00	Total Capacity (Btu/h)	72,000	70,000	69,000	
			Electric Power (Watts)	3,972	4,349	4,762	
			Leaving Air Temperature (°F)	77.5	87	96.6	
	60	18.00	Total Capacity (Btu/h)	81,000	80,000	78,000	
			Electric Power (Watts)	4,122	4,512	4,937	
			Leaving Air Temperature (°F)	81.2	90.7	100.1	
70	18.00	Total Capacity (Btu/h)	92,000	90,000	88,000		
		Electric Power (Watts)	4,308	4,707	5,143		
		Leaving Air Temperature (°F)	85.2	94.6	103.9		

UNIT DATA- PROW 084

	AIRFLOW (CFM)	EWT (°F)	WATER FLOW (GPM)		ENTERING AIR TEMPERATURE (°F)								
					90 DB			95 DB			100 DB		
					76 WB	78 WB	80 WB	76 WB	78 WB	80 WB	76 WB	78 WB	80 WB
100% OUTSIDE AIR COOLING	875	50	21.00	Total Capacity (Btu/h)	81,000	83,000	86,000	81,000	84,000	87,000	81,000	84,000	87,000
				Sensible Capacity (Btu/h)	39,500	37,200	34,800	44,000	42,500	40,000	49,000	47,000	45,000
				Electric Power (Watts)	4,685	4,748	4,804	4,717	4,744	4,811	4,721	4,775	4,806
				Leaving Air Temperature (F db/F wb)	49.4 / 47.6	52.0 / 50.0	54.4 / 52.4	49.5 / 47.4	51.6 / 49.7	54.2 / 52.2	49.4 / 47.3	51.8 / 49.6	53.8 / 52.0
		60	21.00	Total Capacity (Btu/h)	78,000	81,000	84,000	78,000	81,000	84,000	79,000	81,000	84,000
				Sensible Capacity (Btu/h)	38,500	36,200	33,800	43,000	41,000	39,000	48,000	46,000	44,000
				Electric Power (Watts)	5,017	5,052	5,102	5,022	5,069	5,108	5,027	5,074	5,124
				Leaving Air Temperature (F db/F wb)	50.7 / 48.7	53.1 / 51.0	55.5 / 53.4	50.5 / 48.5	52.9 / 50.9	55.3 / 53.2	50.4 / 48.4	52.8 / 50.6	55.2 / 53.0
		75	21.00	Total Capacity (Btu/h)	75,000	77,000	80,000	75,000	78,000	80,000	75,000	78,000	81,000
				Sensible Capacity (Btu/h)	36,600	34,400	32,200	41,500	39,500	37,200	46,500	44,500	42,000
				Electric Power (Watts)	5,606	5,651	5,688	5,611	5,657	5,694	5,599	5,663	5,703
				Leaving Air Temperature (F db/F wb)	52.4 / 50.3	54.8 / 52.7	57.2 / 55.0	52.2 / 50.1	54.6 / 52.5	57.0 / 54.8	51.9 / 50.0	54.4 / 52.3	56.8 / 54.6
	85	21.00	Total Capacity (Btu/h)	73,000	76,000	77,000	73,000	76,000	78,000	73,000	76,000	79,000	
			Sensible Capacity (Btu/h)	36,600	33,600	32,400	41,000	38,500	36,000	46,000	43,500	41,500	
			Electric Power (Watts)	6,046	6,144	6,109	6,110	6,150	6,290	6,114	6,154	6,204	
			Leaving Air Temperature (F db/F wb)	52.5 / 51.1	55.5 / 53.4	56.9 / 56.2	53.0 / 50.9	55.3 / 53.2	58.2 / 55.7	52.8 / 50.8	55.2 / 53.0	57.5 / 55.4	
	1,120	50	21.00	Total Capacity (Btu/h)	88,000	91,000	94,000	88,000	91,000	94,000	88,000	91,000	94,000
				Sensible Capacity (Btu/h)	44,000	41,500	38,500	50,500	48,000	45,000	57,000	54,000	50,500
				Electric Power (Watts)	4,829	4,890	4,953	4,826	4,882	4,960	4,828	4,891	4,994
				Leaving Air Temperature (F db/F wb)	54.6 / 53.0	57.0 / 55.4	59.4 / 57.7	54.4 / 52.8	56.6 / 55.2	59.3 / 57.6	54.2 / 52.7	56.6 / 55.1	59.5 / 57.5
		60	21.00	Total Capacity (Btu/h)	85,000	88,000	91,000	85,000	88,000	91,000	85,000	88,000	92,000
				Sensible Capacity (Btu/h)	43,000	40,000	37,400	49,000	46,000	43,500	55,500	52,500	51,000
				Electric Power (Watts)	5,118	5,172	5,229	5,137	5,205	5,258	5,143	5,196	5,206
				Leaving Air Temperature (F db/F wb)	55.5 / 53.9	57.9 / 56.2	60.3 / 58.6	55.5 / 53.7	58.0 / 56.1	60.4 / 58.4	55.4 / 53.6	57.7 / 55.9	59.4 / 58.2
75		21.00	Total Capacity (Btu/h)	81,000	84,000	87,000	81,000	84,000	87,000	81,000	84,000	87,000	
			Sensible Capacity (Btu/h)	41,500	38,500	35,600	47,500	44,000	42,000	54,000	51,000	47,500	
			Electric Power (Watts)	5,690	5,738	5,787	5,708	5,797	5,793	5,714	5,758	5,852	
			Leaving Air Temperature (F db/F wb)	56.8 / 55.2	59.2 / 57.5	61.6 / 59.9	56.8 / 55.1	59.6 / 57.4	61.4 / 59.7	56.7 / 55.0	59.0 / 57.3	61.9 / 59.6	
85	21.00	Total Capacity (Btu/h)	78,000	81,000	83,000	78,000	81,000	84,000	78,000	81,000	84,000		
		Sensible Capacity (Btu/h)	40,000	37,200	34,600	46,500	43,500	41,000	52,500	50,000	47,000		
		Electric Power (Watts)	6,176	6,219	6,259	6,180	6,219	6,264	6,191	6,236	6,284		
		Leaving Air Temperature (F db/F wb)	57.9 / 56.2	60.2 / 58.5	62.5 / 60.8	57.8 / 56.1	60.0 / 58.4	62.3 / 60.7	57.8 / 55.9	60.0 / 58.3	62.6 / 60.5		
1,400	50	21.00	Total Capacity (Btu/h)	93,000	97,000	100,000	94,000	97,000	100,000	94,000	97,000	100,000	
			Sensible Capacity (Btu/h)	48,500	46,000	42,000	58,000	54,500	51,000	65,000	60,500	59,000	
			Electric Power (Watts)	4,969	4,997	5,066	4,905	4,978	5,051	4,940	5,050	5,048	
			Leaving Air Temperature (F db/F wb)	58.9 / 57.2	60.7 / 59.5	63.1 / 61.8	57.8 / 57.1	60.1 / 59.4	62.5 / 61.7	58.2 / 57.0	61.2 / 59.3	62.2 / 61.6	
	60	21.00	Total Capacity (Btu/h)	91,000	94,000	97,000	91,000	94,000	97,000	91,000	94,000	97,000	
			Sensible Capacity (Btu/h)	48,500	45,000	40,500	56,500	53,000	49,500	63,500	59,500	56,000	
			Electric Power (Watts)	5,185	5,248	5,355	5,182	5,248	5,315	5,219	5,315	5,374	
			Leaving Air Temperature (F db/F wb)	58.8 / 57.9	61.1 / 60.2	64.2 / 62.5	58.6 / 57.8	60.9 / 60.1	63.3 / 62.4	59.0 / 57.7	61.8 / 60.0	64.1 / 62.3	
	75	21.00	Total Capacity (Btu/h)	86,000	89,000	92,000	86,000	89,000	92,000	86,000	89,000	92,000	
			Sensible Capacity (Btu/h)	45,500	43,500	40,000	55,500	50,000	48,000	61,500	58,000	55,500	
			Electric Power (Watts)	5,825	5,793	5,850	5,716	5,861	5,854	5,792	5,842	5,877	
			Leaving Air Temperature (F db/F wb)	60.9 / 59.1	62.2 / 61.3	64.6 / 63.6	59.5 / 59.0	63.0 / 61.2	64.4 / 63.5	60.2 / 58.8	62.6 / 61.1	64.6 / 63.4	
85	21.00	Total Capacity (Btu/h)	83,000	85,000	88,000	83,000	85,000	89,000	83,000	86,000	88,000		
		Sensible Capacity (Btu/h)	44,500	41,500	38,000	53,000	49,500	45,500	60,500	57,000	53,500		
		Electric Power (Watts)	6,257	6,288	6,338	6,248	6,296	6,360	6,265	6,309	6,360		
		Leaving Air Temperature (F db/F wb)	61.5 / 59.8	63.4 / 62.1	65.8 / 64.4	61.0 / 59.7	63.3 / 62.0	66.1 / 64.2	61.0 / 59.6	63.4 / 61.9	65.7 / 64.2		

UNIT DATA- PROW 084

	AIRFLOW (CFM)	EWT (°F)	WATER FLOW (GPM)		ENTERING AIR TEMPERATURE (°F)		
					20	30	40
100% OUTSIDE AIR HEATING	875	40	21.00	Total Capacity (Btu/h)	71,000	70,000	69,000
				Electric Power (Watts)	5,548	5,925	6,317
				Leaving Air Temperature (°F)	95.1	103.8	112.9
		50	21.00	Total Capacity (Btu/h)	80,000	79,000	78,000
				Electric Power (Watts)	6,055	6,449	6,872
				Leaving Air Temperature (°F)	104.3	113.3	121.9
		60	21.00	Total Capacity (Btu/h)	89,000	88,000	87,000
				Electric Power (Watts)	6,626	7,046	7,490
				Leaving Air Temperature (°F)	114.1	122.9	131.6
	70	21.00	Total Capacity (Btu/h)	99,000	97,000	96,000	
			Electric Power (Watts)	7,257	7,707	8,147	
			Leaving Air Temperature (°F)	124.4	132.8	141.3	
	1,120	40	21.00	Total Capacity (Btu/h)	73,000	72,000	70,000
				Electric Power (Watts)	5,076	5,455	5,855
				Leaving Air Temperature (°F)	79.9	89	97.9
		50	21.00	Total Capacity (Btu/h)	82,000	80,000	79,000
				Electric Power (Watts)	5,518	5,889	6,295
				Leaving Air Temperature (°F)	87.5	96.3	105.3
		60	21.00	Total Capacity (Btu/h)	92,000	90,000	89,000
				Electric Power (Watts)	5,968	6,370	6,803
				Leaving Air Temperature (°F)	95.7	104.4	113.2
	70	21.00	Total Capacity (Btu/h)	102,000	100,000	99,000	
			Electric Power (Watts)	6,481	6,906	7,360	
			Leaving Air Temperature (°F)	104.2	112.7	121.2	
1,400	40	21.00	Total Capacity (Btu/h)	74,000	72,000	72,000	
			Electric Power (Watts)	4,760	5,110	5,505	
			Leaving Air Temperature (°F)	68.6	77.8	87.2	
	50	21.00	Total Capacity (Btu/h)	83,000	82,000	80,000	
			Electric Power (Watts)	5,165	5,515	5,895	
			Leaving Air Temperature (°F)	75	84	93.1	
	60	21.00	Total Capacity (Btu/h)	94,000	92,000	91,000	
			Electric Power (Watts)	5,538	5,905	6,311	
			Leaving Air Temperature (°F)	81.9	90.8	99.7	
70	21.00	Total Capacity (Btu/h)	105,000	103,000	101,000		
		Electric Power (Watts)	5,961	6,349	6,774		
		Leaving Air Temperature (°F)	89.3	97.8	106.6		

UNIT DATA- PRRW 084

AIRFLOW (CFM)	EWT (°F)	WATER FLOW (GPM)		ENTERING AIR TEMPERATURE (°F)								
				75 DB			80 DB			85 DB		
				63 WB	67 WB	71 WB	63 WB	67 WB	71 WB	63 WB	67 WB	71 WB
2,100	50	21.00	Total Capacity (Btu/h)	89,000	95,000	101,000	89,000	95,000	102,000	89,000	95,000	102,000
			Sensible Capacity (Btu/h)	62,000	52,000	40,500	71,000	64,000	54,000	82,000	74,000	66,000
			Electric Power (Watts)	4,437	4,532	4,661	4,483	4,535	4,637	4,488	4,577	4,643
			Leaving Air Temperature (F db/F wb)	48.2 / 47.9	52.6 / 52.2	57.6 / 56.6	49.1 / 47.8	52.5 / 52.1	56.9 / 56.5	49.2 / 47.6	52.9 / 51.9	56.8 / 56.4
	60	21.00	Total Capacity (Btu/h)	85,000	91,000	98,000	86,000	92,000	98,000	86,000	92,000	98,000
			Sensible Capacity (Btu/h)	59,500	50,500	40,500	70,000	62,000	52,000	81,000	73,000	64,000
			Electric Power (Watts)	4,829	4,873	4,960	4,832	4,880	4,971	4,837	4,914	4,977
			Leaving Air Temperature (F db/F wb)	49.3 / 48.5	53.2 / 52.8	57.7 / 57.2	49.8 / 48.4	53.2 / 52.7	57.6 / 57.1	49.9 / 48.3	53.5 / 52.6	57.5 / 57.0
	75	21.00	Total Capacity (Btu/h)	80,000	86,000	92,000	80,000	86,000	92,000	81,000	86,000	92,000
			Sensible Capacity (Btu/h)	58,500	48,500	38,000	68,000	59,000	49,000	77,000	70,000	61,500
			Electric Power (Watts)	5,377	5,466	5,540	5,417	5,505	5,575	5,571	5,504	5,564
			Leaving Air Temperature (F db/F wb)	49.7 / 49.5	54.2 / 53.7	58.7 / 58.1	50.6 / 49.4	54.6 / 53.6	59.0 / 58.0	51.5 / 49.3	54.9 / 53.5	58.6 / 57.9
85	21.00	Total Capacity (Btu/h)	77,000	82,000	88,000	77,000	82,000	88,000	77,000	83,000	88,000	
		Sensible Capacity (Btu/h)	55,500	45,500	35,400	66,000	58,500	47,500	76,000	68,000	60,000	
		Electric Power (Watts)	5,916	5,969	6,026	5,921	5,916	6,035	5,928	5,979	6,016	
		Leaving Air Temperature (F db/F wb)	51.1 / 50.1	55.4 / 54.4	59.8 / 58.8	51.6 / 50.0	54.7 / 54.3	59.7 / 58.6	51.8 / 49.9	55.8 / 54.2	59.2 / 58.6	
2,450	50	21.00	Total Capacity (Btu/h)	91,000	98,000	104,000	92,000	98,000	105,000	92,000	98,000	105,000
			Sensible Capacity (Btu/h)	67,000	55,500	42,500	78,000	69,000	58,000	90,000	80,000	70,000
			Electric Power (Watts)	4,483	4,580	4,709	4,526	4,586	4,689	4,535	4,625	4,747
			Leaving Air Temperature (F db/F wb)	50.1 / 49.8	54.4 / 54.1	59.4 / 58.5	51.1 / 49.7	54.4 / 54.0	58.8 / 58.4	51.3 / 49.5	55.3 / 53.9	59.3 / 58.3
	60	21.00	Total Capacity (Btu/h)	88,000	94,000	100,000	88,000	95,000	101,000	89,000	95,000	101,000
			Sensible Capacity (Btu/h)	64,500	53,000	42,500	76,000	67,000	56,000	89,000	79,000	69,000
			Electric Power (Watts)	4,864	4,945	5,002	4,867	4,927	5,017	4,845	4,953	5,054
			Leaving Air Temperature (F db/F wb)	51.1 / 50.3	55.4 / 54.6	59.4 / 59.0	51.6 / 50.2	55.1 / 54.5	59.4 / 58.9	51.8 / 50.1	55.9 / 54.4	59.7 / 58.8
	75	21.00	Total Capacity (Btu/h)	83,000	89,000	94,000	83,000	89,000	95,000	85,000	89,000	95,000
			Sensible Capacity (Btu/h)	62,000	50,500	40,000	74,000	64,000	52,500	85,000	77,000	66,000
			Electric Power (Watts)	5,465	5,530	5,574	5,464	5,535	5,621	5,486	5,517	5,614
			Leaving Air Temperature (F db/F wb)	52.0 / 51.2	56.3 / 55.5	60.2 / 59.9	52.5 / 51.1	56.3 / 55.4	60.7 / 59.7	53.5 / 50.8	56.6 / 55.3	60.5 / 59.6
85	21.00	Total Capacity (Btu/h)	79,000	85,000	90,000	79,000	85,000	91,000	81,000	85,000	91,000	
		Sensible Capacity (Btu/h)	61,500	49,000	39,000	72,000	63,500	52,000	81,000	76,000	65,000	
		Electric Power (Watts)	5,882	5,994	6,025	5,935	5,975	6,042	5,966	5,938	6,069	
		Leaving Air Temperature (F db/F wb)	52.2 / 51.8	57.0 / 56.1	60.8 / 60.4	53.2 / 51.7	56.6 / 56.0	60.8 / 60.3	54.7 / 51.3	56.9 / 56.0	61.0 / 60.2	
2,800	50	21.00	Total Capacity (Btu/h)	94,000	100,000	107,000	94,000	101,000	107,000	96,000	101,000	107,000
			Sensible Capacity (Btu/h)	72,000	59,000	46,000	84,000	73,000	59,500	96,000	88,000	76,000
			Electric Power (Watts)	4,522	4,619	4,716	4,562	4,677	4,781	4,588	4,626	4,758
			Leaving Air Temperature (F db/F wb)	51.7 / 51.3	55.9 / 55.6	60.2 / 60.0	52.7 / 51.2	56.4 / 55.5	60.8 / 59.9	53.7 / 50.9	56.6 / 55.5	60.4 / 59.8
	60	21.00	Total Capacity (Btu/h)	90,000	97,000	103,000	91,000	97,000	103,000	93,000	97,000	103,000
			Sensible Capacity (Btu/h)	70,000	57,500	44,500	83,000	72,000	59,500	93,000	86,000	75,000
			Electric Power (Watts)	4,891	4,947	5,035	4,896	4,990	5,055	4,931	4,963	5,077
			Leaving Air Temperature (F db/F wb)	52.4 / 51.8	56.4 / 56.1	60.7 / 60.4	53.2 / 51.7	56.8 / 56.0	60.8 / 60.3	54.6 / 51.3	57.2 / 55.9	60.9 / 60.2
	75	21.00	Total Capacity (Btu/h)	85,000	91,000	96,000	85,000	91,000	97,000	88,000	91,000	97,000
			Sensible Capacity (Btu/h)	66,000	55,000	40,500	80,000	68,000	57,500	88,000	83,000	72,000
			Electric Power (Watts)	5,456	5,530	5,625	5,489	5,540	5,617	5,531	5,562	5,642
			Leaving Air Temperature (F db/F wb)	53.5 / 52.6	57.2 / 56.8	62.0 / 61.2	54.0 / 52.5	57.9 / 56.8	61.5 / 61.0	56.2 / 51.9	58.2 / 56.6	61.8 / 60.9
85	21.00	Total Capacity (Btu/h)	80,000	86,000	92,000	81,000	87,000	92,000	85,000	87,000	93,000	
		Sensible Capacity (Btu/h)	62,000	53,000	39,000	78,000	66,000	55,000	85,000	81,000	69,000	
		Electric Power (Watts)	6,055	5,990	6,075	5,955	6,015	6,073	6,003	6,020	6,083	
		Leaving Air Temperature (F db/F wb)	54.8 / 53.1	57.8 / 57.4	62.5 / 61.7	54.6 / 53.0	58.6 / 57.3	62.2 / 61.5	57.3 / 52.4	58.8 / 57.2	62.7 / 61.5	

UNIT DATA- PRRW 084

	AIRFLOW (CFM)	EWT (°F)	WATER FLOW (GPM)	ENTERING AIR TEMPERATURE (°F)			
				50	60	70	
RECIRCULATING AIR HEATING	2,100	40	21.00	Total Capacity (Btu/h)	74,000	73,000	71,000
				Electric Power (Watts)	4,864	5,292	5,756
				Leaving Air Temperature (°F)	82.4	91.9	101.4
		50	21.00	Total Capacity (Btu/h)	84,000	82,000	81,000
				Electric Power (Watts)	5,128	5,565	6,040
				Leaving Air Temperature (°F)	86.8	96.1	105.6
		60	21.00	Total Capacity (Btu/h)	95,000	93,000	91,000
				Electric Power (Watts)	5,429	5,875	6,371
				Leaving Air Temperature (°F)	91.6	100.8	110
	70	21.00	Total Capacity (Btu/h)	106,000	104,000	102,000	
			Electric Power (Watts)	5,744	6,182	6,683	
			Leaving Air Temperature (°F)	96.7	105.7	114.7	
	2,450	40	21.00	Total Capacity (Btu/h)	74,000	73,000	72,000
				Electric Power (Watts)	4,714	5,134	5,586
				Leaving Air Temperature (°F)	77.9	87.5	97
		50	21.00	Total Capacity (Btu/h)	84,000	83,000	81,000
				Electric Power (Watts)	4,951	5,383	5,843
				Leaving Air Temperature (°F)	81.8	91.2	100.7
		60	21.00	Total Capacity (Btu/h)	96,000	94,000	92,000
				Electric Power (Watts)	5,227	5,656	6,131
				Leaving Air Temperature (°F)	86.1	95.3	104.5
	70	21.00	Total Capacity (Btu/h)	108,000	105,000	103,000	
			Electric Power (Watts)	5,516	5,933	6,411	
			Leaving Air Temperature (°F)	90.5	99.7	108.8	
2,800	40	21.00	Total Capacity (Btu/h)	74,000	73,000	72,000	
			Electric Power (Watts)	4,602	5,018	5,465	
			Leaving Air Temperature (°F)	74.5	84.1	93.8	
	50	21.00	Total Capacity (Btu/h)	85,000	83,000	82,000	
			Electric Power (Watts)	4,820	5,244	5,698	
			Leaving Air Temperature (°F)	78	87.5	97	
	60	21.00	Total Capacity (Btu/h)	96,000	94,000	92,000	
			Electric Power (Watts)	5,076	5,497	5,959	
			Leaving Air Temperature (°F)	81.8	91.1	100.4	
70	21.00	Total Capacity (Btu/h)	109,000	106,000	104,000		
		Electric Power (Watts)	5,351	5,755	6,212		
		Leaving Air Temperature (°F)	85.8	95	104.2		

UNIT DATA- PROW 096

100% OUTSIDE AIR COOLING	AIRFLOW (CFM)	EWT (°F)	WATER FLOW (GPM)		ENTERING AIR TEMPERATURE (°F)								
					90 DB			95 DB			100 DB		
					76 WB	78 WB	80 WB	76 WB	78 WB	80 WB	76 WB	78 WB	80 WB
1,000	50	24.00	Total Capacity (Btu/h)	90,000	93,000	97,000	91,000	94,000	97,000	91,000	94,000	97,000	
			Sensible Capacity (Btu/h)	44,500	41,500	39,000	50,000	47,500	45,000	55,500	53,500	50,500	
			Electric Power (Watts)	5,376	5,448	5,510	5,381	5,441	5,517	5,384	5,446	5,511	
			Leaving Air Temperature (F db/F wb)	50.1 / 48.3	52.7 / 50.7	55.1 / 53.1	49.9 / 48.1	52.3 / 50.5	55.0 / 52.9	49.8 / 48.0	52.1 / 50.3	54.6 / 52.7	
	60	24.00	Total Capacity (Btu/h)	88,000	91,000	94,000	88,000	91,000	95,000	88,000	91,000	95,000	
			Sensible Capacity (Btu/h)	43,000	40,500	38,000	49,000	46,000	43,500	54,500	51,500	49,000	
			Electric Power (Watts)	5,728	5,792	5,849	5,733	5,819	5,855	5,735	5,826	5,882	
			Leaving Air Temperature (F db/F wb)	51.2 / 49.3	53.7 / 51.7	56.1 / 54.0	51.0 / 49.1	53.7 / 51.5	56.0 / 53.9	50.8 / 49.0	53.5 / 51.4	55.9 / 53.7	
	75	24.00	Total Capacity (Btu/h)	84,000	87,000	90,000	84,000	87,000	90,000	84,000	87,000	90,000	
			Sensible Capacity (Btu/h)	41,000	38,500	36,200	47,000	44,500	42,000	52,500	50,000	47,500	
			Electric Power (Watts)	6,417	6,480	6,512	6,423	6,486	6,532	6,426	6,492	6,538	
			Leaving Air Temperature (F db/F wb)	53.0 / 51.0	55.5 / 53.3	57.8 / 55.7	52.8 / 50.8	55.3 / 53.1	57.7 / 55.5	52.7 / 50.6	55.1 / 53.0	57.5 / 55.3	
85	24.00	Total Capacity (Btu/h)	81,000	84,000	87,000	81,000	84,000	87,000	81,000	84,000	87,000		
		Sensible Capacity (Btu/h)	40,500	37,400	34,800	46,500	43,000	40,500	52,000	48,500	46,000		
		Electric Power (Watts)	6,905	7,017	7,063	6,899	7,023	7,084	6,900	7,028	7,091		
		Leaving Air Temperature (F db/F wb)	53.5 / 52.1	56.6 / 54.4	59.0 / 56.8	53.3 / 51.9	56.4 / 54.2	58.8 / 56.6	53.2 / 51.8	56.2 / 54.1	58.7 / 56.4		
1,280	50	24.00	Total Capacity (Btu/h)	98,000	102,000	105,000	99,000	102,000	106,000	99,000	102,000	106,000	
			Sensible Capacity (Btu/h)	49,500	46,500	43,000	57,000	54,000	50,500	64,000	61,000	58,500	
			Electric Power (Watts)	5,537	5,602	5,671	5,529	5,592	5,664	5,530	5,601	5,636	
			Leaving Air Temperature (F db/F wb)	55.3 / 53.6	57.7 / 56.0	60.1 / 58.3	54.9 / 53.4	57.2 / 55.8	59.6 / 58.1	54.8 / 53.3	57.2 / 55.7	58.9 / 58	
	60	24.00	Total Capacity (Btu/h)	95,000	99,000	102,000	96,000	99,000	102,000	96,000	99,000	103,000	
			Sensible Capacity (Btu/h)	48,500	45,500	42,000	55,500	53,000	50,000	63,000	59,500	57,500	
			Electric Power (Watts)	5,851	5,915	5,980	5,866	5,890	5,959	5,868	5,931	5,957	
			Leaving Air Temperature (F db/F wb)	55.9 / 54.4	58.3 / 56.8	60.7 / 59.1	55.9 / 54.3	57.7 / 56.6	60.1 / 58.9	55.7 / 54.2	58.1 / 56.5	59.8 / 58.8	
	75	24.00	Total Capacity (Btu/h)	91,000	94,000	97,000	91,000	94,000	97,000	91,000	94,000	98,000	
			Sensible Capacity (Btu/h)	46,500	43,000	40,000	53,500	50,500	46,500	61,000	57,500	54,500	
			Electric Power (Watts)	6,536	6,577	6,631	6,521	6,592	6,700	6,523	6,580	6,640	
			Leaving Air Temperature (F db/F wb)	57.5 / 55.8	59.9 / 58.1	62.2 / 60.4	57.3 / 55.7	59.7 / 57.9	62.6 / 60.3	57.1 / 55.5	59.5 / 57.8	61.9 / 60.1	
85	24.00	Total Capacity (Btu/h)	87,000	90,000	93,000	87,000	91,000	94,000	88,000	91,000	94,000		
		Sensible Capacity (Btu/h)	45,000	41,500	38,500	52,500	49,000	45,000	59,500	56,500	53,000		
		Electric Power (Watts)	7,083	7,120	7,170	7,065	7,120	7,242	7,080	7,122	7,179		
		Leaving Air Temperature (F db/F wb)	58.5 / 56.7	60.8 / 59.0	63.2 / 61.3	58.2 / 56.6	60.6 / 58.9	63.5 / 61.2	58.2 / 56.5	60.5 / 58.7	62.8 / 61.0		
1,600	50	24.00	Total Capacity (Btu/h)	105,000	108,000	112,000	105,000	108,000	112,000	105,000	108,000	112,000	
			Sensible Capacity (Btu/h)	56,000	51,500	47,500	65,000	61,500	57,500	73,000	70,000	64,000	
			Electric Power (Watts)	5,613	5,714	5,789	5,610	5,687	5,767	5,651	5,716	5,860	
			Leaving Air Temperature (F db/F wb)	58.4 / 57.7	61.2 / 60.0	63.6 / 62.3	58.2 / 57.6	60.5 / 59.9	62.9 / 62.2	58.7 / 57.5	60.9 / 59.8	64.1 / 62.1	
	60	24.00	Total Capacity (Btu/h)	101,000	105,000	108,000	101,000	105,000	108,000	101,000	105,000	108,000	
			Sensible Capacity (Btu/h)	55,000	51,000	47,000	62,000	58,000	56,000	72,000	67,000	64,500	
			Electric Power (Watts)	5,932	6,002	6,072	6,019	6,078	6,074	5,975	6,066	6,105	
			Leaving Air Temperature (F db/F wb)	59.2 / 58.4	61.5 / 60.7	63.9 / 63	60.1 / 58.3	62.4 / 60.6	63.6 / 62.9	59.5 / 58.2	62.1 / 60.5	64 / 62.8	
	75	24.00	Total Capacity (Btu/h)	96,000	99,000	102,000	96,000	99,000	103,000	96,000	100,000	103,000	
			Sensible Capacity (Btu/h)	51,000	49,000	45,000	61,000	56,000	52,500	70,000	66,000	62,500	
			Electric Power (Watts)	6,677	6,625	6,690	6,618	6,710	6,763	6,618	6,678	6,720	
			Leaving Air Temperature (F db/F wb)	61.4 / 59.5	62.6 / 61.8	65.0 / 64.1	60.8 / 59.4	63.5 / 61.6	65.8 / 63.9	60.6 / 59.2	63.0 / 61.5	65.0 / 63.8	
85	24.00	Total Capacity (Btu/h)	92,000	95,000	98,000	92,000	95,000	98,000	93,000	96,000	99,000		
		Sensible Capacity (Btu/h)	52,000	45,500	41,500	59,500	54,500	53,500	68,000	64,000	60,500		
		Electric Power (Watts)	7,075	7,266	7,313	7,153	7,280	7,182	7,157	7,245	7,268		
		Leaving Air Temperature (F db/F wb)	60.9 / 60.3	64.5 / 62.5	66.8 / 64.8	61.6 / 60.1	64.5 / 62.4	65.1 / 64.7	61.4 / 60.0	64.1 / 62.3	66.1 / 64.6		

UNIT DATA- PROW 096

	AIRFLOW (CFM)	EWT (°F)	WATER FLOW (GPM)		ENTERING AIR TEMPERATURE (°F)		
					20	30	40
100% OUTSIDE AIR HEATING	1,000	40	24.00	Total Capacity (Btu/h)	80,000	79,000	78,000
				Electric Power (Watts)	6,393	6,819	7,261
				Leaving Air Temperature (°F)	93.8	102.7	111.9
		50	24.00	Total Capacity (Btu/h)	90,000	89,000	88,000
				Electric Power (Watts)	6,977	7,424	7,902
				Leaving Air Temperature (°F)	103.1	112.2	121.2
		60	24.00	Total Capacity (Btu/h)	101,000	100,000	98,000
				Electric Power (Watts)	7,618	8,116	8,615
				Leaving Air Temperature (°F)	113.1	121.9	130.4
	70	24.00	Total Capacity (Btu/h)	112,000	110,000	109,000	
			Electric Power (Watts)	8,371	8,882	9,330	
			Leaving Air Temperature (°F)	123.4	132	140.8	
	1,280	40	24.00	Total Capacity (Btu/h)	81,000	80,000	79,000
				Electric Power (Watts)	5,902	6,321	6,751
				Leaving Air Temperature (°F)	78.6	87.9	97.2
		50	24.00	Total Capacity (Btu/h)	92,000	91,000	90,000
				Electric Power (Watts)	6,375	6,809	7,261
				Leaving Air Temperature (°F)	86.4	95.4	104.6
		60	24.00	Total Capacity (Btu/h)	103,000	102,000	100,000
				Electric Power (Watts)	6,894	7,358	7,854
				Leaving Air Temperature (°F)	94.6	103.4	112.3
	70	24.00	Total Capacity (Btu/h)	115,000	113,000	112,000	
			Electric Power (Watts)	7,488	7,981	8,504	
			Leaving Air Temperature (°F)	103.2	111.8	120.4	
1,600	40	24.00	Total Capacity (Btu/h)	82,000	81,000	80,000	
			Electric Power (Watts)	5,542	5,951	6,396	
			Leaving Air Temperature (°F)	67.5	76.9	86.3	
	50	24.00	Total Capacity (Btu/h)	94,000	92,000	91,000	
			Electric Power (Watts)	5,976	6,381	6,814	
			Leaving Air Temperature (°F)	74	83.1	92.4	
	60	24.00	Total Capacity (Btu/h)	106,000	104,000	102,000	
			Electric Power (Watts)	6,404	6,832	7,301	
			Leaving Air Temperature (°F)	80.9	89.9	98.9	
70	24.00	Total Capacity (Btu/h)	118,000	116,000	114,000		
		Electric Power (Watts)	6,895	7,345	7,839		
		Leaving Air Temperature (°F)	88.2	97	105.8		

UNIT DATA- PRRW 096

	AIRFLOW (CFM)	EWT (°F)	WATER FLOW (GPM)		ENTERING AIR TEMPERATURE (°F)								
					75 DB			80 DB			85 DB		
					63 WB	67 WB	71 WB	63 WB	67 WB	71 WB	63 WB	67 WB	71 WB
RECIRCULATING AIR COOLING	2,400	50	24.00	Total Capacity (Btu/h)	99,000	106,000	112,000	99,000	106,000	113,000	99,000	106,000	113,000
				Sensible Capacity (Btu/h)	69,000	58,500	47,000	81,000	71,000	61,000	93,000	82,000	73,000
				Electric Power (Watts)	5,229	5,271	5,376	5,175	5,333	5,383	5,237	5,336	5,447
				Leaving Air Temperature (F db/F wb)	49.0 / 48.2	52.9 / 52.6	57.4 / 57.1	49.2 / 48.1	53.3 / 52.5	57.2 / 56.9	49.6 / 48.0	53.8 / 52.4	57.7 / 56.8
		60	24.00	Total Capacity (Btu/h)	96,000	102,000	108,000	96,000	102,000	109,000	96,000	102,000	109,000
				Sensible Capacity (Btu/h)	67,000	57,000	45,000	79,000	69,000	57,500	91,000	81,000	71,000
				Electric Power (Watts)	5,623	5,671	5,771	5,589	5,719	5,821	5,632	5,722	5,826
				Leaving Air Temperature (F db/F wb)	49.6 / 48.8	53.6 / 53.2	58 / 57.6	50.0 / 48.7	53.9 / 53.1	58.4 / 57.5	50.3 / 48.6	54.4 / 53.0	58.3 / 57.4
		75	24.00	Total Capacity (Btu/h)	90,000	96,000	102,000	90,000	96,000	103,000	90,000	96,000	103,000
				Sensible Capacity (Btu/h)	66,000	54,500	43,000	76,000	67,000	55,500	90,000	78,000	69,000
				Electric Power (Watts)	6,227	6,344	6,436	6,282	6,388	6,479	6,238	6,398	6,484
				Leaving Air Temperature (F db/F wb)	49.9 / 49.8	54.5 / 54.1	59.0 / 58.5	51.1 / 49.7	54.8 / 54.0	59.3 / 58.4	51.0 / 49.6	55.5 / 53.9	59.1 / 58.3
	85	24.00	Total Capacity (Btu/h)	86,000	92,000	98,000	86,000	92,000	98,000	87,000	92,000	99,000	
			Sensible Capacity (Btu/h)	63,000	51,500	41,500	73,000	67,000	53,500	86,000	76,000	67,000	
			Electric Power (Watts)	6,833	6,907	6,948	6,966	6,844	6,995	6,858	6,926	7,009	
			Leaving Air Temperature (F db/F wb)	51.2 / 50.4	55.6 / 54.7	59.5 / 59.1	52.3 / 50.4	54.9 / 54.7	59.9 / 59.0	52.2 / 50.1	56.2 / 54.5	59.9 / 58.9	
	2,800	50	24.00	Total Capacity (Btu/h)	102,000	109,000	115,000	102,000	109,000	116,000	103,000	109,000	116,000
				Sensible Capacity (Btu/h)	74,000	61,000	49,500	88,000	77,000	63,500	103,000	90,000	79,000
				Electric Power (Watts)	5,274	5,377	5,427	5,278	5,382	5,494	5,230	5,385	5,499
				Leaving Air Temperature (F db/F wb)	50.8 / 50.1	55.2 / 54.5	59.1 / 59.0	51.5 / 50.1	55.1 / 54.4	59.6 / 58.8	51.6 / 49.9	55.8 / 54.3	59.6 / 58.7
60		24.00	Total Capacity (Btu/h)	98,000	105,000	111,000	99,000	105,000	112,000	100,000	105,000	112,000	
			Sensible Capacity (Btu/h)	73,000	59,500	48,000	86,000	75,000	62,000	100,000	88,000	77,000	
			Electric Power (Watts)	5,663	5,759	5,817	5,671	5,763	5,869	5,691	5,770	5,876	
			Leaving Air Temperature (F db/F wb)	51.3 / 50.7	55.7 / 55.0	59.7 / 59.4	52.1 / 50.5	55.6 / 54.9	60.1 / 59.3	52.5 / 50.4	56.4 / 54.8	60.1 / 59.2	
75		24.00	Total Capacity (Btu/h)	92,000	99,000	105,000	93,000	99,000	105,000	95,000	99,000	106,000	
			Sensible Capacity (Btu/h)	70,000	57,000	42,500	83,000	72,000	60,000	95,000	85,000	76,000	
			Electric Power (Watts)	6,257	6,420	6,530	6,344	6,431	6,511	6,373	6,437	6,507	
			Leaving Air Temperature (F db/F wb)	52.1 / 51.6	56.5 / 55.8	61.3 / 60.2	53.0 / 51.4	56.6 / 55.7	60.7 / 60.1	54.1 / 51.1	57.3 / 55.6	60.6 / 60.0	
85	24.00	Total Capacity (Btu/h)	88,000	94,000	100,000	89,000	94,000	101,000	91,000	95,000	101,000		
		Sensible Capacity (Btu/h)	68,000	55,500	41,000	81,000	72,000	58,500	91,000	84,000	73,000		
		Electric Power (Watts)	6,797	6,940	7,048	6,877	6,922	7,011	6,911	6,949	7,041		
		Leaving Air Temperature (F db/F wb)	52.9 / 52.1	57.1 / 56.4	61.9 / 60.7	53.6 / 52.0	56.9 / 56.3	61.1 / 60.6	55.2 / 51.6	57.8 / 56.2	61.4 / 60.5		
3,200	50	24.00	Total Capacity (Btu/h)	105,000	111,000	118,000	105,000	112,000	118,000	107,000	112,000	119,000	
			Sensible Capacity (Btu/h)	78,000	65,000	52,000	95,000	80,000	68,000	107,000	97,000	83,000	
			Electric Power (Watts)	5,310	5,415	5,466	5,311	5,421	5,535	5,351	5,419	5,541	
			Leaving Air Temperature (F db/F wb)	52.9 / 51.6	56.6 / 56.0	60.4 / 60.4	53.1 / 51.5	57.2 / 55.9	60.9 / 60.3	54.4 / 51.2	57.4 / 55.8	61.5 / 60.2	
	60	24.00	Total Capacity (Btu/h)	101,000	107,000	114,000	101,000	108,000	114,000	104,000	108,000	114,000	
			Sensible Capacity (Btu/h)	76,000	63,500	46,500	93,000	79,000	66,000	104,000	95,000	82,000	
			Electric Power (Watts)	5,698	5,793	5,919	5,706	5,801	5,905	5,747	5,805	5,909	
			Leaving Air Temperature (F db/F wb)	53.4 / 52.1	57.1 / 56.4	61.9 / 60.8	53.7 / 52.0	57.7 / 56.3	61.3 / 60.7	55.3 / 51.6	57.9 / 56.2	61.9 / 60.6	
	75	24.00	Total Capacity (Btu/h)	95,000	101,000	107,000	95,000	101,000	107,000	99,000	102,000	108,000	
			Sensible Capacity (Btu/h)	73,000	61,000	46,000	90,000	77,000	64,500	99,000	93,000	79,000	
			Electric Power (Watts)	6,369	6,449	6,541	6,378	6,435	6,533	6,429	6,468	6,562	
			Leaving Air Temperature (F db/F wb)	54.2 / 52.8	57.7 / 57.1	62.1 / 61.5	54.5 / 52.7	58.2 / 57.1	61.8 / 61.4	56.8 / 52.2	58.7 / 56.9	62.8 / 61.3	
85	24.00	Total Capacity (Btu/h)	90,000	96,000	102,000	91,000	96,000	103,000	95,000	97,000	103,000		
		Sensible Capacity (Btu/h)	73,000	60,000	44,000	86,000	75,000	62,000	95,000	91,000	77,000		
		Electric Power (Watts)	6,820	6,943	7,049	7,046	6,972	7,069	6,961	6,979	7,073		
		Leaving Air Temperature (F db/F wb)	54.2 / 53.4	58.1 / 57.6	62.6 / 62.0	55.5 / 53.2	58.9 / 57.5	62.6 / 61.8	57.8 / 52.6	59.2 / 57.4	63.3 / 61.7		

UNIT DATA- PRRW 096

RECIRCULATING AIR HEATING	AIRFLOW (CFM)	EWT (°F)	WATER FLOW (GPM)	ENTERING AIR TEMPERATURE (°F)		
				50	60	70
2,400	40	24.00	Total Capacity (Btu/h)	83,000	82,000	80,000
			Electric Power (Watts)	5,633	6,104	6,630
			Leaving Air Temperature (°F)	81.8	91.4	100.8
	50	24.00	Total Capacity (Btu/h)	94,000	92,000	90,000
			Electric Power (Watts)	5,930	6,411	6,946
			Leaving Air Temperature (°F)	86	95.4	104.8
	60	24.00	Total Capacity (Btu/h)	105,000	103,000	101,000
			Electric Power (Watts)	6,259	6,741	7,289
			Leaving Air Temperature (°F)	90.5	99.7	109
	70	24.00	Total Capacity (Btu/h)	118,000	116,000	113,000
			Electric Power (Watts)	6,620	7,108	7,655
			Leaving Air Temperature (°F)	95.3	104.5	113.6
2,800	40	24.00	Total Capacity (Btu/h)	83,000	82,000	81,000
			Electric Power (Watts)	5,470	5,931	6,446
			Leaving Air Temperature (°F)	77.5	87.1	96.6
	50	24.00	Total Capacity (Btu/h)	94,000	93,000	91,000
			Electric Power (Watts)	5,739	6,207	6,729
			Leaving Air Temperature (°F)	81.1	90.6	100
	60	24.00	Total Capacity (Btu/h)	106,000	104,000	102,000
			Electric Power (Watts)	6,045	6,503	7,033
			Leaving Air Temperature (°F)	85.1	94.4	103.7
	70	24.00	Total Capacity (Btu/h)	119,000	117,000	115,000
			Electric Power (Watts)	6,371	6,840	7,361
			Leaving Air Temperature (°F)	89.3	98.5	107.8
3,200	40	24.00	Total Capacity (Btu/h)	84,000	83,000	81,000
			Electric Power (Watts)	5,350	5,805	6,309
			Leaving Air Temperature (°F)	74.2	83.8	93.4
	50	24.00	Total Capacity (Btu/h)	95,000	93,000	92,000
			Electric Power (Watts)	5,595	6,059	6,571
			Leaving Air Temperature (°F)	77.4	86.9	96.4
	60	24.00	Total Capacity (Btu/h)	108,000	105,000	103,000
			Electric Power (Watts)	5,881	6,336	6,846
			Leaving Air Temperature (°F)	81	90.3	99.7
	70	24.00	Total Capacity (Btu/h)	120,000	118,000	116,000
			Electric Power (Watts)	6,187	6,641	7,146
			Leaving Air Temperature (°F)	84.8	94.1	103.4

UNIT DATA-PROW120

	AIRFLOW (CFM)	EWT (°F)	WATER FLOW (GPM)		ENTERING AIR TEMPERATURE (°F)								
					90 DB			95 DB			100 DB		
					76 WB	78 WB	80 WB	76 WB	78 WB	80 WB	76 WB	78 WB	80 WB
100% OUTSIDE AIR COOLING	1,250	50	30.00	Total Capacity (Btu/h)	122,000	126,000	132,000	122,000	127,000	132,000	122,000	127,000	132,000
				Sensible Capacity (Btu/h)	59,500	56,500	53,500	67,000	63,500	60,500	74,000	71,000	68,000
				Electric Power (Watts)	6,004	6,008	6,022	6,008	6,020	6,026	6,010	6,022	6,038
				Leaving Air Temperature (F db/F wb)	47.1 / 45.3	49.4 / 47.6	51.9 / 50.0	46.9 / 45.0	49.3 / 47.4	51.6 / 49.8	46.7 / 44.8	49.1 / 47.2	51.5 / 49.5
		60	30.00	Total Capacity (Btu/h)	118,000	123,000	127,000	118,000	123,000	127,000	119,000	123,000	128,000
				Sensible Capacity (Btu/h)	58,000	55,000	51,500	65,000	62,000	59,000	72,000	69,000	66,000
				Electric Power (Watts)	6,598	6,602	6,618	6,602	6,614	6,620	6,604	6,618	6,634
				Leaving Air Temperature (F db/F wb)	48.4 / 46.5	50.7 / 48.9	53.1 / 51.3	48.2 / 46.3	50.6 / 48.7	52.9 / 51.0	48.0 / 46.1	50.4 / 48.5	52.8 / 50.8
		75	30.00	Total Capacity (Btu/h)	112,000	116,000	121,000	113,000	117,000	121,000	113,000	117,000	122,000
				Sensible Capacity (Btu/h)	55,000	52,000	49,000	62,000	59,000	56,000	69,000	66,000	63,000
				Electric Power (Watts)	7,580	7,582	7,598	7,584	7,598	7,602	7,586	7,600	7,618
				Leaving Air Temperature (F db/F wb)	50.5 / 48.5	52.7 / 50.9	55.1 / 53.2	50.3 / 48.3	52.6 / 50.6	54.9 / 53.0	50.1 / 48.2	52.5 / 50.4	54.9 / 52.8
85	30.00	Total Capacity (Btu/h)	108,000	112,000	116,000	108,000	112,000	117,000	109,000	113,000	117,000		
		Sensible Capacity (Btu/h)	53,000	50,000	47,000	60,000	57,000	54,000	67,000	64,000	61,000		
		Electric Power (Watts)	8,334	8,330	8,346	8,338	8,350	8,348	8,338	8,352	8,368		
		Leaving Air Temperature (F db/F wb)	51.9 / 49.9	54.1 / 52.2	56.5 / 54.5	51.7 / 49.7	54.1 / 52	56.2 / 54.3	51.5 / 49.5	53.9 / 51.8	56.3 / 54.1		
1,600	50	30.00	Total Capacity (Btu/h)	134,000	140,000	144,000	134,000	140,000	144,000	136,000	140,000	146,000	
			Sensible Capacity (Btu/h)	67,000	63,000	59,000	76,000	72,000	68,000	85,000	81,000	77,000	
			Electric Power (Watts)	6,032	6,050	6,070	6,034	6,054	6,072	6,048	6,066	6,086	
			Leaving Air Temperature (F db/F wb)	52.2 / 50.8	54.7 / 53.1	57.1 / 55.6	52.0 / 50.6	54.4 / 53.0	56.8 / 55.4	52.0 / 50.4	54.4 / 52.8	56.8 / 55.1	
	60	30.00	Total Capacity (Btu/h)	130,000	134,000	140,000	130,000	136,000	140,000	130,000	136,000	140,000	
			Sensible Capacity (Btu/h)	65,000	61,500	57,000	74,000	70,000	66,000	83,000	79,000	76,000	
			Electric Power (Watts)	6,628	6,646	6,668	6,640	6,660	6,670	6,642	6,662	6,674	
			Leaving Air Temperature (F db/F wb)	53.3 / 51.9	55.7 / 54.2	58.1 / 56.6	53.3 / 51.7	55.7 / 54.0	57.9 / 56.4	53.1 / 51.5	55.5 / 53.8	57.7 / 56.2	
	75	30.00	Total Capacity (Btu/h)	123,000	127,000	132,000	124,000	128,000	132,000	124,000	128,000	134,000	
			Sensible Capacity (Btu/h)	62,500	58,500	54,000	71,000	67,000	63,000	80,000	76,000	72,000	
			Electric Power (Watts)	7,606	7,626	7,648	7,622	7,642	7,662	7,624	7,644	7,668	
			Leaving Air Temperature (F db/F wb)	55.0 / 53.5	57.4 / 55.9	59.8 / 58.2	55.0 / 53.3	57.4 / 55.7	59.8 / 58.0	54.8 / 53.2	57.2 / 55.5	59.6 / 57.8	
85	30.00	Total Capacity (Btu/h)	118,000	122,000	127,000	119,000	123,000	127,000	119,000	123,000	128,000		
		Sensible Capacity (Btu/h)	60,500	56,500	52,500	69,000	65,000	61,000	78,000	74,000	70,000		
		Electric Power (Watts)	8,352	8,370	8,390	8,372	8,388	8,408	8,370	8,392	8,414		
		Leaving Air Temperature (F db/F wb)	56.1 / 54.7	58.5 / 57.0	60.9 / 59.3	56.2 / 54.5	58.6 / 56.8	60.9 / 59.1	56.0 / 54.4	58.4 / 56.6	60.8 / 58.9		
2,000	50	30.00	Total Capacity (Btu/h)	144,000	150,000	154,000	146,000	150,000	156,000	146,000	150,000	156,000	
			Sensible Capacity (Btu/h)	75,000	70,000	65,000	86,000	81,000	76,000	97,000	92,000	88,000	
			Electric Power (Watts)	6,072	6,092	6,116	6,076	6,098	6,120	6,084	6,100	6,126	
			Leaving Air Temperature (F db/F wb)	56.3 / 55.2	58.7 / 57.5	61.1 / 59.9	56.2 / 55.1	58.6 / 57.4	60.9 / 59.7	56.2 / 54.9	58.4 / 57.2	60.8 / 59.6	
	60	30.00	Total Capacity (Btu/h)	140,000	144,000	150,000	140,000	146,000	150,000	140,000	146,000	150,000	
			Sensible Capacity (Btu/h)	73,000	68,000	63,000	84,000	79,000	74,000	95,000	90,000	86,000	
			Electric Power (Watts)	6,668	6,690	6,714	6,672	6,694	6,718	6,684	6,698	6,724	
			Leaving Air Temperature (F db/F wb)	57.3 / 56.1	59.6 / 58.4	61.9 / 60.8	57.1 / 56.0	59.5 / 58.3	61.8 / 60.6	57.2 / 55.8	59.3 / 58.1	61.7 / 60.4	
	75	30.00	Total Capacity (Btu/h)	132,000	136,000	140,000	132,000	136,000	142,000	132,000	138,000	142,000	
			Sensible Capacity (Btu/h)	70,000	65,000	60,000	81,000	76,000	71,000	92,000	87,000	83,000	
			Electric Power (Watts)	7,646	7,668	7,692	7,650	7,672	7,698	7,662	7,676	7,702	
			Leaving Air Temperature (F db/F wb)	58.7 / 57.5	61.0 / 59.8	63.3 / 62.1	58.5 / 57.4	60.8 / 59.6	63.2 / 61.9	58.6 / 57.2	60.7 / 59.5	63.0 / 61.8	
85	30.00	Total Capacity (Btu/h)	126,000	130,000	134,000	127,000	130,000	136,000	127,000	132,000	136,000		
		Sensible Capacity (Btu/h)	68,000	63,000	58,000	79,000	74,000	69,000	90,000	85,000	80,000		
		Electric Power (Watts)	8,388	8,408	8,432	8,392	8,414	8,438	8,406	8,418	8,442		
		Leaving Air Temperature (F db/F wb)	59.6 / 58.5	61.9 / 60.7	64.2 / 63.0	59.5 / 58.3	61.8 / 60.6	64.1 / 62.9	59.6 / 58.2	61.7 / 60.5	64.0 / 62.7		

UNIT DATA- PROW120

100% OUTSIDE AIR HEATING	AIRFLOW (CFM)	EWT (°F)	WATER FLOW (GPM)	ENTERING AIR TEMPERATURE (°F)		
				20	30	40
1,250	40	30.00	Total Capacity (Btu/h)	107,000	105,000	103,000
			Electric Power (Watts)	7,522	8,094	8,736
			Leaving Air Temperature (°F)	98.9	107.3	116.1
	50	30.00	Total Capacity (Btu/h)	120,000	118,000	116,000
			Electric Power (Watts)	8,178	8,780	9,482
			Leaving Air Temperature (°F)	108.4	116.8	125.5
	60	30.00	Total Capacity (Btu/h)	134,000	132,000	129,000
			Electric Power (Watts)	8,894	9,592	10,310
			Leaving Air Temperature (°F)	118.3	126.9	135.4
	70	30.00	Total Capacity (Btu/h)	148,000	146,000	142,000
			Electric Power (Watts)	9,752	10,476	11,216
			Leaving Air Temperature (°F)	128.9	137.1	145.5
1,600	40	30.00	Total Capacity (Btu/h)	110,000	107,000	105,000
			Electric Power (Watts)	6,770	7,302	7,892
			Leaving Air Temperature (°F)	83.2	91.8	100.8
	50	30.00	Total Capacity (Btu/h)	123,000	121,000	119,000
			Electric Power (Watts)	7,248	7,814	8,446
			Leaving Air Temperature (°F)	91.2	99.7	108.5
	60	30.00	Total Capacity (Btu/h)	138,000	136,000	132,000
			Electric Power (Watts)	7,794	8,422	9,078
			Leaving Air Temperature (°F)	99.7	108.3	116.6
	70	30.00	Total Capacity (Btu/h)	154,000	150,000	148,000
			Electric Power (Watts)	8,432	9,082	9,818
			Leaving Air Temperature (°F)	108.3	116.6	125.1
2,000	40	30.00	Total Capacity (Btu/h)	112,000	109,000	107,000
			Electric Power (Watts)	6,256	6,764	7,320
			Leaving Air Temperature (°F)	71.6	80.4	89.5
	50	30.00	Total Capacity (Btu/h)	126,000	124,000	121,000
			Electric Power (Watts)	6,620	7,160	7,746
			Leaving Air Temperature (°F)	78.1	87	95.9
	60	30.00	Total Capacity (Btu/h)	142,000	140,000	136,000
			Electric Power (Watts)	7,066	7,630	8,238
			Leaving Air Temperature (°F)	85.4	94.3	102.8
	70	30.00	Total Capacity (Btu/h)	158,000	154,000	152,000
			Electric Power (Watts)	7,562	8,150	8,802
			Leaving Air Temperature (°F)	93.1	101.4	109.8

UNIT DATA- PRRW 120

	AIRFLOW (CFM)	EWT (°F)	WATER FLOW (GPM)		ENTERING AIR TEMPERATURE (°F)								
					75 DB			80 DB			85 DB		
					63 WB	67 WB	71 WB	63 WB	67 WB	71 WB	63 WB	67 WB	71 WB
RECIRCULATING AIR COOLING	3,000	50	30.00	Total Capacity (Btu/h)	132,000	140,000	150,000	132,000	142,000	150,000	132,000	142,000	152,000
				Sensible Capacity (Btu/h)	90,000	76,000	61,000	104,000	92,000	78,000	120,000	107,000	95,000
				Electric Power (Watts)	5,752	5,784	5,824	5,754	5,788	5,830	5,756	5,790	5,834
				Leaving Air Temperature (F db/F wb)	47.8 / 47.1	52.2 / 51.5	56.7 / 56.0	48.3 / 47.0	52.1 / 51.4	56.6 / 55.8	48.5 / 46.9	52.6 / 51.3	56.5 / 55.7
		60	30.00	Total Capacity (Btu/h)	127,000	136,000	144,000	127,000	136,000	144,000	127,000	136,000	146,000
				Sensible Capacity (Btu/h)	87,000	73,000	59,000	102,000	90,000	76,000	118,000	105,000	93,000
				Electric Power (Watts)	6,368	6,406	6,450	6,372	6,410	6,456	6,374	6,412	6,460
				Leaving Air Temperature (F db/F wb)	48.5 / 47.9	52.9 / 52.2	57.4 / 56.6	49.1 / 47.8	52.8 / 52.1	57.2 / 56.5	49.2 / 47.6	53.3 / 52.0	57.1 / 56.4
		75	30.00	Total Capacity (Btu/h)	119,000	127,000	136,000	119,000	127,000	136,000	119,000	127,000	136,000
				Sensible Capacity (Btu/h)	84,000	70,000	55,500	98,000	86,000	72,000	114,000	101,000	88,000
				Electric Power (Watts)	7,378	7,416	7,462	7,382	7,434	7,472	7,386	7,426	7,488
				Leaving Air Temperature (F db/F wb)	49.6 / 48.9	54.0 / 53.2	58.4 / 57.7	50.2 / 48.9	54.1 / 53.1	58.3 / 57.5	50.4 / 48.7	54.5 / 53.0	58.4 / 57.4
	85	30.00	Total Capacity (Btu/h)	113,000	121,000	129,000	113,000	121,000	130,000	114,000	121,000	130,000	
			Sensible Capacity (Btu/h)	81,000	67,000	53,000	96,000	84,000	69,000	111,000	98,000	86,000	
			Electric Power (Watts)	8,156	8,178	8,224	8,146	8,188	8,244	8,152	8,194	8,246	
			Leaving Air Temperature (F db/F wb)	50.6 / 49.7	54.7 / 54.0	59.1 / 58.4	51.0 / 49.6	54.6 / 53.9	59.2 / 58.2	51.2 / 49.5	55.3 / 53.8	59.0 / 58.1	
	3,500	50	30.00	Total Capacity (Btu/h)	136,000	146,000	154,000	136,000	146,000	156,000	136,000	146,000	156,000
				Sensible Capacity (Btu/h)	97,000	81,000	64,000	114,000	100,000	83,000	132,000	117,000	103,000
				Electric Power (Watts)	5,766	5,804	5,848	5,770	5,808	5,864	5,774	5,810	5,864
				Leaving Air Temperature (F db/F wb)	49.8 / 49.2	54.1 / 53.5	58.6 / 58.0	50.4 / 49.1	54.1 / 53.4	58.7 / 57.8	50.7 / 49.0	54.7 / 53.3	58.4 / 57.7
60		30.00	Total Capacity (Btu/h)	130,000	140,000	148,000	130,000	140,000	150,000	132,000	140,000	150,000	
			Sensible Capacity (Btu/h)	94,000	78,000	61,500	111,000	97,000	81,000	129,000	114,000	100,000	
			Electric Power (Watts)	6,396	6,426	6,474	6,388	6,442	6,490	6,394	6,434	6,496	
			Leaving Air Temperature (F db/F wb)	50.6 / 49.8	54.7 / 54.1	59.2 / 58.5	51.1 / 49.7	54.8 / 54.0	59.3 / 58.4	51.4 / 49.6	55.4 / 53.9	59.2 / 58.3	
75		30.00	Total Capacity (Btu/h)	122,000	130,000	140,000	123,000	132,000	140,000	124,000	132,000	140,000	
			Sensible Capacity (Btu/h)	88,000	74,000	58,000	107,000	94,000	77,000	124,000	110,000	97,000	
			Electric Power (Watts)	7,406	7,448	7,488	7,404	7,448	7,506	7,414	7,460	7,510	
			Leaving Air Temperature (F db/F wb)	52.0 / 50.8	55.9 / 55.1	60.1 / 59.4	52.2 / 50.7	55.6 / 55.0	60.2 / 59.3	52.6 / 50.4	56.5 / 54.9	60.0 / 59.2	
85	30.00	Total Capacity (Btu/h)	116,000	125,000	132,000	117,000	125,000	134,000	119,000	125,000	134,000		
		Sensible Capacity (Btu/h)	88,000	72,000	55,500	104,000	91,000	75,000	119,000	107,000	95,000		
		Electric Power (Watts)	8,164	8,200	8,246	8,170	8,216	8,260	8,184	8,218	8,268		
		Leaving Air Temperature (F db/F wb)	52.1 / 51.4	56.3 / 55.7	60.7 / 60.1	52.9 / 51.3	56.4 / 55.6	60.6 / 59.9	53.9 / 51.0	57.1 / 55.5	60.6 / 59.8		
4,000	50	30.00	Total Capacity (Btu/h)	140,000	150,000	158,000	140,000	150,000	160,000	142,000	150,000	160,000	
			Sensible Capacity (Btu/h)	102,000	85,000	66,000	122,000	105,000	88,000	142,000	126,000	108,000	
			Electric Power (Watts)	5,784	5,830	5,870	5,784	5,830	5,886	5,796	5,828	5,884	
			Leaving Air Temperature (F db/F wb)	51.9 / 50.8	55.8 / 55.1	60.1 / 59.5	52.1 / 50.7	56.2 / 55.0	60.1 / 59.3	52.7 / 50.4	56.4 / 54.9	60.5 / 59.3	
	60	30.00	Total Capacity (Btu/h)	134,000	144,000	152,000	134,000	144,000	154,000	138,000	144,000	154,000	
			Sensible Capacity (Btu/h)	99,000	82,000	64,500	120,000	102,000	86,000	138,000	123,000	106,000	
			Electric Power (Watts)	6,410	6,454	6,494	6,404	6,458	6,512	6,422	6,462	6,512	
			Leaving Air Temperature (F db/F wb)	52.6 / 51.3	56.4 / 55.6	60.5 / 60.0	52.7 / 51.2	56.9 / 55.5	60.7 / 59.9	53.7 / 50.9	57.1 / 55.4	61.1 / 59.8	
	75	30.00	Total Capacity (Btu/h)	125,000	134,000	142,000	126,000	134,000	144,000	130,000	134,000	144,000	
			Sensible Capacity (Btu/h)	95,000	79,000	60,500	115,000	98,000	83,000	130,000	119,000	102,000	
			Electric Power (Watts)	7,414	7,464	7,508	7,428	7,472	7,522	7,440	7,470	7,526	
			Leaving Air Temperature (F db/F wb)	53.4 / 52.2	57.2 / 56.4	61.3 / 60.8	53.8 / 52.1	57.8 / 56.3	61.3 / 60.7	55.4 / 51.6	57.9 / 56.3	61.9 / 60.6	
85	30.00	Total Capacity (Btu/h)	119,000	127,000	136,000	120,000	128,000	136,000	125,000	128,000	136,000		
		Sensible Capacity (Btu/h)	92,000	77,000	58,500	113,000	96,000	80,000	125,000	117,000	99,000		
		Electric Power (Watts)	8,176	8,220	8,264	8,176	8,224	8,284	8,212	8,226	8,294		
		Leaving Air Temperature (F db/F wb)	54.0 / 52.8	57.6 / 57.0	61.9 / 61.3	54.3 / 52.6	58.2 / 56.9	62.0 / 61.2	56.6 / 52.1	58.5 / 56.8	62.7 / 61.1		

UNIT DATA- PRRW 120

	AIRFLOW (CFM)	EWT (°F)	WATER FLOW (GPM)		ENTERING AIR TEMPERATURE (°F)		
					50	60	70
RECIRCULATING AIR HEATING	3,000	40	30.00	Total Capacity (Btu/h)	110,000	108,000	106,000
				Electric Power (Watts)	6,826	7,482	8,214
				Leaving Air Temperature (°F)	83.8	93.2	102.6
		50	30.00	Total Capacity (Btu/h)	124,000	122,000	120,000
				Electric Power (Watts)	7,124	7,788	8,540
				Leaving Air Temperature (°F)	88.2	97.5	106.9
		60	30.00	Total Capacity (Btu/h)	140,000	138,000	134,000
				Electric Power (Watts)	7,458	8,146	8,910
				Leaving Air Temperature (°F)	93	102.2	111.5
	70	30.00	Total Capacity (Btu/h)	156,000	154,000	150,000	
			Electric Power (Watts)	7,850	8,562	9,346	
			Leaving Air Temperature (°F)	98.1	107.2	116.3	
	3,500	40	30.00	Total Capacity (Btu/h)	111,000	108,000	107,000
				Electric Power (Watts)	6,586	7,228	7,942
				Leaving Air Temperature (°F)	79.2	88.6	98.1
		50	30.00	Total Capacity (Btu/h)	125,000	123,000	121,000
				Electric Power (Watts)	6,848	7,494	8,210
				Leaving Air Temperature (°F)	83	92.4	101.9
		60	30.00	Total Capacity (Btu/h)	142,000	138,000	136,000
				Electric Power (Watts)	7,130	7,796	8,532
				Leaving Air Temperature (°F)	87.3	96.5	105.9
	70	30.00	Total Capacity (Btu/h)	158,000	156,000	152,000	
			Electric Power (Watts)	7,464	8,150	8,906	
			Leaving Air Temperature (°F)	91.8	100.9	110.1	
4,000	40	30.00	Total Capacity (Btu/h)	111,000	109,000	107,000	
			Electric Power (Watts)	6,412	7,044	7,744	
			Leaving Air Temperature (°F)	75.7	85.2	94.7	
	50	30.00	Total Capacity (Btu/h)	126,000	124,000	121,000	
			Electric Power (Watts)	6,640	7,280	7,978	
			Leaving Air Temperature (°F)	79.2	88.5	98	
	60	30.00	Total Capacity (Btu/h)	142,000	140,000	136,000	
			Electric Power (Watts)	6,890	7,542	8,258	
			Leaving Air Temperature (°F)	82.9	92.2	101.6	
70	30.00	Total Capacity (Btu/h)	160,000	156,000	154,000		
		Electric Power (Watts)	7,182	7,852	8,586		
		Leaving Air Temperature (°F)	86.9	96.1	105.4		

UNIT DATA-PROW 150

	AIRFLOW (CFM)	EWT (°F)	WATER FLOW (GPM)		ENTERING AIR TEMPERATURE (°F)								
					90 DB			95 DB			100 DB		
					76 WB	78 WB	80 WB	76 WB	78 WB	80 WB	76 WB	78 WB	80 WB
100% OUTSIDE AIR COOLING	1,500	50	36.00	Total Capacity (Btu/h)	142,000	148,000	154,000	144,000	148,000	154,000	144,000	148,000	154,000
				Sensible Capacity (Btu/h)	70,000	66,000	62,000	78,000	75,000	71,000	87,000	83,000	79,000
				Electric Power (Watts)	8,046	8,122	8,210	8,054	8,140	8,222	8,062	8,150	8,242
				Leaving Air Temperature (°F db/°F wb)	48.1 / 46.2	50.5 / 48.6	53.0 / 51.1	47.9 / 46.0	50.4 / 48.4	52.7 / 50.8	47.7 / 45.8	50.2 / 48.2	52.7 / 50.6
		60	36.00	Total Capacity (Btu/h)	138,000	144,000	148,000	140,000	144,000	150,000	140,000	144,000	150,000
				Sensible Capacity (Btu/h)	68,000	64,000	60,500	76,000	73,000	69,000	85,000	81,000	77,000
				Electric Power (Watts)	8,582	8,646	8,726	8,592	8,666	8,736	8,598	8,676	8,758
				Leaving Air Temperature (°F db/°F wb)	49.4 / 47.4	51.7 / 49.8	54.2 / 52.2	49.2 / 47.1	51.6 / 49.5	53.9 / 52.0	48.9 / 47.0	51.4 / 49.3	53.8 / 51.7
		75	36.00	Total Capacity (Btu/h)	132,000	136,000	142,000	132,000	138,000	142,000	132,000	138,000	142,000
				Sensible Capacity (Btu/h)	65,000	61,000	57,000	73,000	69,000	66,000	82,000	78,000	74,000
				Electric Power (Watts)	9,614	9,664	9,734	9,624	9,690	9,744	9,630	9,698	9,770
				Leaving Air Temperature (F db/F wb)	51.2 / 49.2	53.5 / 51.6	56.0 / 54.0	51.0 / 49.0	53.5 / 51.4	55.8 / 53.8	50.8 / 48.8	53.3 / 51.2	55.8 / 53.5
85	36.00	Total Capacity (Btu/h)	127,000	132,000	136,000	128,000	132,000	138,000	128,000	132,000	138,000		
		Sensible Capacity (Btu/h)	62,500	58,500	55,000	71,000	67,000	63,500	80,000	76,000	72,000		
		Electric Power (Watts)	10,458	10,520	10,566	10,466	10,530	10,598	10,472	10,538	10,608		
		Leaving Air Temperature (F db/F wb)	52.6 / 50.5	55.1 / 52.8	57.3 / 55.3	52.4 / 50.3	54.8 / 52.6	57.3 / 55.0	52.2 / 50.1	54.6 / 52.4	57.1 / 54.8		
1,920	50	36.00	Total Capacity (Btu/h)	156,000	162,000	168,000	158,000	162,000	168,000	158,000	164,000	168,000	
			Sensible Capacity (Btu/h)	79,000	74,000	69,000	89,000	84,000	79,000	100,000	95,000	91,000	
			Electric Power (Watts)	8,274	8,370	8,472	8,294	8,394	8,496	8,302	8,402	8,500	
			Leaving Air Temperature (°F db/°F wb)	53.2 / 51.8	55.7 / 54.1	58.2 / 56.6	53.2 / 51.6	55.7 / 53.9	58.2 / 56.4	53.0 / 51.4	55.4 / 53.7	57.7 / 56.2	
	60	36.00	Total Capacity (Btu/h)	152,000	158,000	162,000	152,000	158,000	164,000	152,000	158,000	164,000	
			Sensible Capacity (Btu/h)	76,000	72,000	66,000	87,000	82,000	77,000	98,000	93,000	89,000	
			Electric Power (Watts)	8,776	8,862	8,952	8,798	8,886	8,976	8,804	8,894	8,978	
			Leaving Air Temperature (°F db/°F wb)	54.2 / 52.7	56.6 / 55.1	59.1 / 57.5	54.2 / 52.5	56.7 / 54.9	59.2 / 57.3	54.0 / 52.4	56.4 / 54.7	58.7 / 57.2	
	75	36.00	Total Capacity (Btu/h)	144,000	148,000	154,000	144,000	150,000	154,000	144,000	150,000	154,000	
			Sensible Capacity (Btu/h)	73,000	68,000	63,500	84,000	79,000	74,000	95,000	90,000	85,000	
			Electric Power (Watts)	9,786	9,858	9,922	9,796	9,872	9,950	9,798	9,878	9,954	
			Leaving Air Temperature (F db/F wb)	56.0 / 54.2	58.4 / 56.6	60.6 / 59.0	55.8 / 54.0	58.3 / 56.4	60.7 / 58.8	55.6 / 53.9	58.0 / 56.3	60.4 / 58.6	
85	36.00	Total Capacity (Btu/h)	138,000	144,000	148,000	140,000	144,000	148,000	140,000	144,000	148,000		
		Sensible Capacity (Btu/h)	70,000	65,000	60,500	81,000	76,000	71,000	92,000	87,000	83,000		
		Electric Power (Watts)	10,616	10,684	10,754	10,626	10,698	10,770	10,626	10,702	10,772		
		Leaving Air Temperature (F db/F wb)	57.1 / 55.3	59.5 / 57.7	61.9 / 60.0	56.9 / 55.1	59.4 / 57.5	61.8 / 59.8	56.7 / 55.0	59.1 / 57.3	61.4 / 59.7		
2,400	50	36.00	Total Capacity (Btu/h)	168,000	174,000	178,000	168,000	174,000	180,000	168,000	174,000	180,000	
			Sensible Capacity (Btu/h)	87,000	81,000	74,000	101,000	94,000	88,000	114,000	108,000	102,000	
			Electric Power (Watts)	8,488	8,592	8,702	8,492	8,610	8,720	8,510	8,618	8,736	
			Leaving Air Temperature (°F db/°F wb)	57.5 / 56.1	59.9 / 58.4	62.4 / 60.8	57.2 / 55.9	59.8 / 58.3	62.2 / 60.7	57.3 / 55.8	59.7 / 58.1	62.0 / 60.5	
	60	36.00	Total Capacity (Btu/h)	162,000	168,000	172,000	162,000	168,000	174,000	164,000	168,000	174,000	
			Sensible Capacity (Btu/h)	85,000	78,000	72,000	99,000	92,000	86,000	112,000	106,000	100,000	
			Electric Power (Watts)	8,964	9,056	9,154	8,966	9,072	9,170	8,982	9,082	9,186	
			Leaving Air Temperature (°F db/°F wb)	58.4 / 56.9	60.8 / 59.2	63.2 / 61.6	58.0 / 56.8	60.6 / 59.1	63.0 / 61.4	58.1 / 56.6	60.5 / 58.9	62.9 / 61.3	
	75	36.00	Total Capacity (Btu/h)	154,000	158,000	164,000	154,000	160,000	164,000	154,000	160,000	164,000	
			Sensible Capacity (Btu/h)	81,000	75,000	69,000	95,000	89,000	82,000	106,000	102,000	96,000	
			Electric Power (Watts)	9,930	10,008	10,092	9,926	10,024	10,108	9,946	10,032	10,122	
			Leaving Air Temperature (F db/F wb)	59.7 / 58.2	62.1 / 60.5	64.4 / 62.8	59.3 / 58.0	61.9 / 60.3	64.3 / 62.7	60.0 / 57.9	61.8 / 60.2	64.1 / 62.5	
85	36.00	Total Capacity (Btu/h)	148,000	152,000	156,000	148,000	152,000	158,000	148,000	152,000	158,000		
		Sensible Capacity (Btu/h)	79,000	73,000	66,000	92,000	86,000	80,000	104,000	100,000	94,000		
		Electric Power (Watts)	10,746	10,818	10,896	10,758	10,834	10,912	10,760	10,842	10,924		
		Leaving Air Temperature (F db/F wb)	60.6 / 59.0	63.0 / 61.4	65.3 / 63.7	60.5 / 58.9	62.8 / 61.2	65.2 / 63.5	61.0 / 58.8	62.7 / 61.1	65.0 / 63.4		

UNIT DATA- PROW 150

100% OUTSIDE AIR HEATING	AIRFLOW (CFM)	EWT (°F)	WATER FLOW (GPM)	ENTERING AIR TEMPERATURE (°F)		
				20	30	40
1,500	40	36.00	Total Capacity (Btu/h)	128,000	127,000	125,000
			Electric Power (Watts)	9,306	9,972	10,666
			Leaving Air Temperature (°F)	99	108	117.1
	50	36.00	Total Capacity (Btu/h)	144,000	142,000	140,000
			Electric Power (Watts)	10,216	10,938	11,686
			Leaving Air Temperature (°F)	108.6	117.3	126.3
	60	36.00	Total Capacity (Btu/h)	160,000	158,000	156,000
			Electric Power (Watts)	11,260	12,024	12,812
			Leaving Air Temperature (°F)	118.7	127.2	135.9
	70	36.00	Total Capacity (Btu/h)	178,000	174,000	172,000
			Electric Power (Watts)	12,452	13,218	13,924
			Leaving Air Temperature (°F)	129.1	137.4	146.3
1,920	40	36.00	Total Capacity (Btu/h)	132,000	129,000	127,000
			Electric Power (Watts)	8,464	9,078	9,738
			Leaving Air Temperature (°F)	83.1	92.1	101.3
	50	36.00	Total Capacity (Btu/h)	148,000	146,000	144,000
			Electric Power (Watts)	9,172	9,828	10,552
			Leaving Air Temperature (°F)	91.3	99.9	108.9
	60	36.00	Total Capacity (Btu/h)	166,000	162,000	160,000
			Electric Power (Watts)	9,990	10,698	11,468
			Leaving Air Temperature (°F)	99.4	108.1	116.9
	70	36.00	Total Capacity (Btu/h)	184,000	180,000	178,000
			Electric Power (Watts)	10,924	11,676	12,494
			Leaving Air Temperature (°F)	108.3	116.6	125.2
2,400	40	36.00	Total Capacity (Btu/h)	134,000	132,000	129,000
			Electric Power (Watts)	7,906	8,470	9,096
			Leaving Air Temperature (°F)	71.5	80.5	89.8
	50	36.00	Total Capacity (Btu/h)	152,000	148,000	146,000
			Electric Power (Watts)	8,490	9,082	9,752
			Leaving Air Temperature (°F)	78.2	87.1	96.1
	60	36.00	Total Capacity (Btu/h)	170,000	166,000	164,000
			Electric Power (Watts)	9,162	9,794	10,496
			Leaving Air Temperature (°F)	85.1	93.9	102.8
	70	36.00	Total Capacity (Btu/h)	188,000	184,000	182,000
			Electric Power (Watts)	9,926	10,594	11,344
			Leaving Air Temperature (°F)	92.6	101.1	109.8

UNIT DATA- PRRW 150

	AIRFLOW (CFM)	EWT (°F)	WATER FLOW (GPM)		ENTERING AIR TEMPERATURE (°F)								
					75 DB			80 DB			85 DB		
					63 WB	67 WB	71 WB	63 WB	67 WB	71 WB	63 WB	67 WB	71 WB
3,600	50	36.00	Total Capacity (Btu/h)	164,000	174,000	186,000	164,000	176,000	186,000	164,000	176,000	188,000	
			Sensible Capacity (Btu/h)	110,000	93,000	75,000	127,000	113,000	96,000	146,000	130,000	116,000	
			Electric Power (Watts)	8,300	8,304	8,320	8,308	8,306	8,314	8,312	8,318	8,326	
			Leaving Air Temperature (°F db/°F wb)	47.2 / 46.4	51.5 / 50.9	56.3 / 55.4	47.8 / 46.3	51.4 / 50.7	55.9 / 55.2	48.0 / 46.2	52.2 / 50.6	56.0 / 55.0	
	60	36.00	Total Capacity (Btu/h)	158,000	168,000	180,000	158,000	168,000	180,000	158,000	170,000	180,000	
			Sensible Capacity (Btu/h)	107,000	90,000	73,000	124,000	111,000	93,000	142,000	128,000	113,000	
			Electric Power (Watts)	8,978	8,994	9,014	8,988	8,998	9,018	8,990	9,000	9,032	
			Leaving Air Temperature (°F db/°F wb)	47.9 / 47.1	52.3 / 51.6	56.8 / 56.0	48.5 / 47.0	52.2 / 51.4	56.6 / 55.9	48.8 / 46.9	52.8 / 51.3	56.7 / 55.7	
	75	36.00	Total Capacity (Btu/h)	148,000	158,000	168,000	148,000	158,000	170,000	148,000	158,000	170,000	
			Sensible Capacity (Btu/h)	103,000	86,000	69,000	120,000	106,000	89,000	138,000	123,000	108,000	
			Electric Power (Watts)	10,172	10,198	10,228	10,190	10,204	10,234	10,192	10,206	10,252	
			Leaving Air Temperature (F db/F wb)	49.0 / 48.3	53.4 / 52.6	57.8 / 57.1	49.8 / 48.2	53.3 / 52.5	57.7 / 56.9	50.0 / 48.1	53.9 / 52.4	57.8 / 56.8	
85	36.00	Total Capacity (Btu/h)	142,000	150,000	160,000	142,000	152,000	162,000	142,000	152,000	162,000		
		Sensible Capacity (Btu/h)	100,000	83,000	65,000	116,000	103,000	86,000	134,000	120,000	105,000		
		Electric Power (Watts)	11,102	11,130	11,172	11,126	11,136	11,166	11,132	11,140	11,186		
		Leaving Air Temperature (F db/F wb)	49.8 / 49.1	54.1 / 53.4	58.8 / 57.8	50.6 / 48.9	54.0 / 53.2	58.4 / 57.7	50.8 / 48.8	54.7 / 53.2	58.5 / 57.5		
4,200	50	36.00	Total Capacity (Btu/h)	170,000	180,000	192,000	170,000	182,000	194,000	170,000	182,000	194,000	
			Sensible Capacity (Btu/h)	119,000	99,000	79,000	138,000	122,000	102,000	160,000	142,000	126,000	
			Electric Power (Watts)	8,300	8,308	8,318	8,312	8,318	8,328	8,304	8,322	8,326	
			Leaving Air Temperature (°F db/°F wb)	49.2 / 48.6	53.6 / 53.0	58.1 / 57.5	50.1 / 48.5	53.7 / 52.8	58.2 / 57.3	50.2 / 48.4	54.4 / 52.7	57.9 / 57.2	
	60	36.00	Total Capacity (Btu/h)	164,000	174,000	184,000	164,000	174,000	186,000	164,000	174,000	186,000	
			Sensible Capacity (Btu/h)	114,000	97,000	76,000	136,000	117,000	99,000	156,000	138,000	123,000	
			Electric Power (Watts)	8,986	9,004	9,026	8,988	9,014	9,040	8,992	9,022	9,040	
			Leaving Air Temperature (°F db/°F wb)	50.4 / 49.2	54.2 / 53.6	58.7 / 58.0	50.6 / 49.1	54.7 / 53.4	58.8 / 57.9	50.9 / 49.0	55.1 / 53.3	58.5 / 57.8	
	75	36.00	Total Capacity (Btu/h)	154,000	164,000	174,000	152,000	164,000	174,000	154,000	164,000	176,000	
			Sensible Capacity (Btu/h)	108,000	92,000	72,000	130,000	112,000	95,000	152,000	134,000	116,000	
			Electric Power (Watts)	10,200	10,212	10,244	10,188	10,230	10,262	10,194	10,226	10,262	
			Leaving Air Temperature (F db/F wb)	51.6 / 50.2	55.1 / 54.5	59.5 / 58.9	51.7 / 50.1	55.8 / 54.4	59.7 / 58.8	52.0 / 49.9	56.0 / 54.3	60.1 / 58.7	
85	36.00	Total Capacity (Btu/h)	146,000	156,000	166,000	146,000	156,000	166,000	148,000	156,000	168,000		
		Sensible Capacity (Btu/h)	105,000	89,000	69,000	127,000	109,000	92,000	148,000	130,000	113,000		
		Electric Power (Watts)	11,130	11,142	11,174	11,120	11,156	11,196	11,134	11,162	11,194		
		Leaving Air Temperature (F db/F wb)	52.3 / 50.9	55.8 / 55.2	60.2 / 59.6	52.4 / 50.8	56.4 / 55.1	60.3 / 59.4	53.0 / 50.5	56.7 / 55.0	60.7 / 59.3		
4,800	50	36.00	Total Capacity (Btu/h)	174,000	186,000	196,000	174,000	186,000	198,000	176,000	186,000	198,000	
			Sensible Capacity (Btu/h)	124,000	104,000	81,000	148,000	128,000	108,000	172,000	152,000	132,000	
			Electric Power (Watts)	8,308	8,320	8,330	8,314	8,318	8,336	8,318	8,326	8,338	
			Leaving Air Temperature (°F db/°F wb)	51.5 / 50.2	55.3 / 54.6	59.8 / 59.0	51.9 / 50.1	55.8 / 54.5	59.7 / 58.9	52.2 / 49.9	56.2 / 54.4	60.3 / 58.8	
	60	36.00	Total Capacity (Btu/h)	168,000	178,000	190,000	168,000	180,000	190,000	170,000	180,000	190,000	
			Sensible Capacity (Btu/h)	121,000	101,000	79,000	146,000	125,000	105,000	168,000	150,000	129,000	
			Electric Power (Watts)	8,998	9,024	9,036	9,006	9,028	9,050	9,000	9,028	9,048	
			Leaving Air Temperature (°F db/°F wb)	52.1 / 50.8	55.9 / 55.1	60.1 / 59.6	52.5 / 50.7	56.5 / 55.0	60.2 / 59.4	52.9 / 50.5	56.8 / 54.9	60.7 / 59.3	
	75	36.00	Total Capacity (Btu/h)	156,000	168,000	178,000	158,000	168,000	178,000	160,000	168,000	178,000	
			Sensible Capacity (Btu/h)	116,000	97,000	74,000	142,000	120,000	101,000	160,000	146,000	124,000	
			Electric Power (Watts)	10,208	10,236	10,268	10,200	10,238	10,274	10,218	10,240	10,274	
			Leaving Air Temperature (F db/F wb)	53.1 / 51.7	56.8 / 56.0	61.2 / 60.4	53.2 / 51.6	57.3 / 55.9	61.0 / 60.2	54.4 / 51.2	57.6 / 55.8	61.6 / 60.1	
85	36.00	Total Capacity (Btu/h)	150,000	160,000	170,000	150,000	160,000	170,000	154,000	160,000	170,000		
		Sensible Capacity (Btu/h)	113,000	94,000	71,000	138,000	117,000	99,000	154,000	142,000	120,000		
		Electric Power (Watts)	11,132	11,168	11,200	11,124	11,166	11,204	11,154	11,172	11,216		
		Leaving Air Temperature (F db/F wb)	53.6 / 52.3	57.3 / 56.5	61.7 / 60.9	53.8 / 52.2	57.9 / 56.5	61.5 / 60.8	55.6 / 51.7	58.2 / 56.4	62.3 / 60.7		

UNIT DATA- PRRW 150

	AIRFLOW (CFM)	EWT (°F)	WATER FLOW (GPM)		ENTERING AIR TEMPERATURE (°F)		
					50	60	70
RECIRCULATING AIR HEATING	3,600	40	36.00	Total Capacity (Btu/h)	138,000	136,000	134,000
				Electric Power (Watts)	9,744	10,522	11,404
				Leaving Air Temperature (°F)	85.5	94.9	104.3
		50	36.00	Total Capacity (Btu/h)	156,000	154,000	150,000
				Electric Power (Watts)	10,080	10,896	11,808
				Leaving Air Temperature (°F)	90	99.3	108.6
		60	36.00	Total Capacity (Btu/h)	174,000	172,000	168,000
				Electric Power (Watts)	10,470	11,326	12,266
				Leaving Air Temperature (°F)	94.9	104	113.3
	70	36.00	Total Capacity (Btu/h)	196,000	192,000	188,000	
			Electric Power (Watts)	10,918	11,802	12,766	
			Leaving Air Temperature (°F)	100	109.1	118.2	
	4,200	40	36.00	Total Capacity (Btu/h)	140,000	138,000	134,000
				Electric Power (Watts)	9,462	10,206	11,058
				Leaving Air Temperature (°F)	80.7	90.1	99.6
		50	36.00	Total Capacity (Btu/h)	158,000	154,000	152,000
				Electric Power (Watts)	9,732	10,516	11,398
				Leaving Air Temperature (°F)	84.6	93.9	103.3
		60	36.00	Total Capacity (Btu/h)	176,000	174,000	170,000
				Electric Power (Watts)	10,050	10,872	11,784
				Leaving Air Temperature (°F)	88.8	98.1	107.4
	70	36.00	Total Capacity (Btu/h)	198,000	194,000	190,000	
			Electric Power (Watts)	10,418	11,272	12,206	
			Leaving Air Temperature (°F)	93.4	102.6	111.7	
4,800	40	36.00	Total Capacity (Btu/h)	140,000	138,000	136,000	
			Electric Power (Watts)	9,252	9,980	10,810	
			Leaving Air Temperature (°F)	77.1	86.5	96	
	50	36.00	Total Capacity (Btu/h)	158,000	156,000	152,000	
			Electric Power (Watts)	9,480	10,240	11,100	
			Leaving Air Temperature (°F)	80.5	89.9	99.3	
	60	36.00	Total Capacity (Btu/h)	178,000	174,000	172,000	
			Electric Power (Watts)	9,746	10,542	11,430	
			Leaving Air Temperature (°F)	84.3	93.6	102.9	
70	36.00	Total Capacity (Btu/h)	200,000	196,000	192,000		
		Electric Power (Watts)	10,054	10,884	11,794		
		Leaving Air Temperature (°F)	88.3	97.6	106.8		

UNIT DATA-PROW 180

	AIRFLOW (CFM)	EWT (°F)	WATER FLOW (GPM)		ENTERING AIR TEMPERATURE (°F)								
					90 DB			95 DB			100 DB		
					76 WB	78 WB	80 WB	76 WB	78 WB	80 WB	76 WB	78 WB	80 WB
100% OUTSIDE AIR COOLING	1,875	50	45.00	Total Capacity (Btu/h)	170,000	176,000	182,000	170,000	176,000	182,000	170,000	178,000	184,000
				Sensible Capacity (Btu/h)	84,000	79,000	74,000	94,000	89,000	85,000	105,000	100,000	95,000
				Electric Power (Watts)	9,394	9,496	9,606	9,424	9,526	9,620	9,432	9,538	9,648
				Leaving Air Temperature (°F db/°F wb)	49.9 / 48.2	52.4 / 50.6	54.9 / 53.0	49.9 / 48.0	52.3 / 50.3	54.7 / 52.8	49.7 / 47.8	52.1 / 50.1	54.6 / 52.5
		60	45.00	Total Capacity (Btu/h)	164,000	170,000	176,000	166,000	172,000	178,000	166,000	172,000	178,000
				Sensible Capacity (Btu/h)	81,000	77,000	72,000	92,000	87,000	82,000	102,000	98,000	93,000
				Electric Power (Watts)	9,974	10,066	10,162	10,014	10,102	10,176	10,022	10,112	10,210
				Leaving Air Temperature (°F db/°F wb)	51.0 / 49.3	53.5 / 51.7	56.0 / 54.1	51.0 / 49.1	53.4 / 51.4	55.7 / 53.9	50.8 / 48.9	53.2 / 51.3	55.7 / 53.6
		75	45.00	Total Capacity (Btu/h)	156,000	162,000	168,000	158,000	162,000	168,000	158,000	164,000	170,000
				Sensible Capacity (Btu/h)	77,000	73,000	68,000	88,000	83,000	78,000	98,000	94,000	89,000
				Electric Power (Watts)	11,182	11,230	11,308	11,190	11,264	11,372	11,194	11,272	11,352
				Leaving Air Temperature (F db/F wb)	53.0 / 51.0	55.2 / 53.4	57.6 / 55.8	52.8 / 50.8	55.3 / 53.2	57.9 / 55.6	52.6 / 50.6	55.1 / 53.0	57.5 / 55.4
	85	45.00	Total Capacity (Btu/h)	150,000	156,000	162,000	152,000	156,000	162,000	152,000	158,000	162,000	
			Sensible Capacity (Btu/h)	74,000	71,000	66,000	86,000	80,000	77,000	97,000	91,000	86,000	
			Electric Power (Watts)	12,292	12,148	12,218	12,082	12,240	12,226	12,094	12,246	12,320	
			Leaving Air Temperature (F db/F wb)	54.7 / 52.3	56.2 / 54.6	58.7 / 57.0	53.7 / 52.1	56.5 / 54.4	58.4 / 56.8	53.5 / 51.9	56.3 / 54.2	58.8 / 56.6	
	2,400	50	45.00	Total Capacity (Btu/h)	186,000	192,000	198,000	186,000	192,000	198,000	186,000	192,000	200,000
				Sensible Capacity (Btu/h)	94,000	88,000	81,000	107,000	101,000	94,000	121,000	115,000	108,000
				Electric Power (Watts)	9,666	9,780	9,904	9,700	9,816	9,936	9,702	9,824	9,956
				Leaving Air Temperature (°F db/°F wb)	54.9 / 53.4	57.3 / 55.9	59.7 / 58.2	55.0 / 53.2	57.4 / 55.6	59.8 / 58.0	54.7 / 53.1	57.0 / 55.5	59.7 / 57.8
60		45.00	Total Capacity (Btu/h)	180,000	186,000	192,000	180,000	186,000	192,000	180,000	186,000	194,000	
			Sensible Capacity (Btu/h)	91,000	85,000	79,000	104,000	98,000	92,000	118,000	112,000	106,000	
			Electric Power (Watts)	10,232	10,308	10,416	10,248	10,348	10,452	10,246	10,354	10,472	
			Leaving Air Temperature (°F db/°F wb)	56.1 / 54.3	58.2 / 56.8	60.6 / 59.1	55.9 / 54.1	58.3 / 56.5	60.8 / 58.9	55.6 / 54.0	58.0 / 56.4	60.6 / 58.7	
75		45.00	Total Capacity (Btu/h)	170,000	176,000	182,000	170,000	176,000	182,000	170,000	176,000	182,000	
			Sensible Capacity (Btu/h)	88,000	82,000	75,000	101,000	94,000	88,000	114,000	108,000	102,000	
			Electric Power (Watts)	11,282	11,398	11,490	11,368	11,464	11,544	11,372	11,458	11,538	
			Leaving Air Temperature (F db/F wb)	56.9 / 55.8	59.6 / 58.2	62.0 / 60.5	57.3 / 55.6	59.9 / 57.9	62.2 / 60.3	57.2 / 55.5	59.5 / 57.8	61.8 / 60.2	
85	45.00	Total Capacity (Btu/h)	162,000	168,000	174,000	164,000	168,000	174,000	164,000	170,000	176,000		
		Sensible Capacity (Btu/h)	86,000	80,000	74,000	98,000	93,000	87,000	111,000	105,000	99,000		
		Electric Power (Watts)	12,234	12,306	12,386	12,330	12,316	12,396	12,330	12,408	12,496		
		Leaving Air Temperature (F db/F wb)	58.0 / 56.8	60.3 / 59.2	62.6 / 61.5	58.4 / 56.6	60.1 / 59.0	62.4 / 61.3	58.3 / 56.5	60.5 / 58.8	63.0 / 61.1		
3,000	50	45.00	Total Capacity (Btu/h)	198,000	204,000	210,000	198,000	204,000	212,000	198,000	206,000	212,000	
			Sensible Capacity (Btu/h)	104,000	96,000	88,000	121,000	113,000	106,000	134,000	130,000	123,000	
			Electric Power (Watts)	9,910	10,032	10,164	9,928	10,056	10,188	9,940	10,070	10,206	
			Leaving Air Temperature (°F db/°F wb)	58.9 / 57.5	61.3 / 59.9	63.7 / 62.2	58.8 / 57.3	61.2 / 59.7	63.6 / 62.1	59.4 / 57.2	61.0 / 59.5	63.4 / 61.9	
	60	45.00	Total Capacity (Btu/h)	190,000	196,000	204,000	192,000	198,000	204,000	192,000	198,000	204,000	
			Sensible Capacity (Btu/h)	101,000	94,000	86,000	118,000	111,000	103,000	132,000	125,000	120,000	
			Electric Power (Watts)	10,422	10,528	10,642	10,438	10,548	10,664	10,446	10,562	10,682	
			Leaving Air Temperature (°F db/°F wb)	59.7 / 58.3	62.1 / 60.6	64.5 / 63.0	59.6 / 58.1	61.9 / 60.4	64.3 / 62.8	60.3 / 58.0	62.4 / 60.3	64.2 / 62.6	
	75	45.00	Total Capacity (Btu/h)	180,000	186,000	192,000	180,000	186,000	192,000	182,000	188,000	194,000	
			Sensible Capacity (Btu/h)	97,000	89,000	82,000	114,000	107,000	99,000	128,000	121,000	116,000	
			Electric Power (Watts)	11,508	11,592	11,690	11,520	11,612	11,704	11,526	11,622	11,720	
			Leaving Air Temperature (F db/F wb)	61.0 / 59.5	63.3 / 61.8	65.7 / 64.1	60.8 / 59.3	63.2 / 61.6	65.5 / 63.9	61.6 / 59.2	63.7 / 61.5	65.4 / 63.8	
85	45.00	Total Capacity (Btu/h)	172,000	178,000	184,000	174,000	178,000	184,000	174,000	180,000	186,000		
		Sensible Capacity (Btu/h)	96,000	87,000	79,000	111,000	104,000	96,000	125,000	119,000	113,000		
		Electric Power (Watts)	12,360	12,524	12,614	12,462	12,542	12,624	12,458	12,556	12,638		
		Leaving Air Temperature (F db/F wb)	61.1 / 60.3	64.2 / 62.6	66.6 / 64.9	61.7 / 60.1	64.0 / 62.4	66.4 / 64.7	62.5 / 60.0	64.4 / 62.2	66.2 / 64.6		

UNIT DATA- PROW 180

	AIRFLOW (CFM)	EWT (°F)	WATER FLOW (GPM)	ENTERING AIR TEMPERATURE (°F)			
				20	30	40	
100% OUTSIDE AIR HEATING	1,875	40	45.00	Total Capacity (Btu/h)	154,000	150,000	148,000
				Electric Power (Watts)	10,996	11,752	12,570
				Leaving Air Temperature (°F)	95.6	104.2	113.2
		50	45.00	Total Capacity (Btu/h)	172,000	170,000	166,000
				Electric Power (Watts)	12,040	12,876	13,760
				Leaving Air Temperature (°F)	104.6	113.3	122.2
		60	45.00	Total Capacity (Btu/h)	192,000	188,000	186,000
				Electric Power (Watts)	13,260	14,152	15,078
				Leaving Air Temperature (°F)	114.3	122.8	131.4
		70	45.00	Total Capacity (Btu/h)	212,000	208,000	206,000
				Electric Power (Watts)	14,648	15,554	16,398
				Leaving Air Temperature (°F)	124.7	132.6	141.2
	2,400	40	45.00	Total Capacity (Btu/h)	158,000	154,000	152,000
				Electric Power (Watts)	10,048	10,750	11,528
				Leaving Air Temperature (°F)	80.4	89.2	98.3
		50	45.00	Total Capacity (Btu/h)	176,000	174,000	170,000
				Electric Power (Watts)	10,876	11,640	12,476
				Leaving Air Temperature (°F)	87.9	96.7	105.7
		60	45.00	Total Capacity (Btu/h)	198,000	194,000	190,000
				Electric Power (Watts)	11,846	12,660	13,552
				Leaving Air Temperature (°F)	96	104.7	113.4
		70	45.00	Total Capacity (Btu/h)	220,000	216,000	212,000
				Electric Power (Watts)	12,956	13,814	14,752
				Leaving Air Temperature (°F)	104.7	112.8	121.4
3,000	40	45.00	Total Capacity (Btu/h)	160,000	156,000	154,000	
			Electric Power (Watts)	9,416	10,070	10,802	
			Leaving Air Temperature (°F)	69.1	78.1	87.3	
	50	45.00	Total Capacity (Btu/h)	180,000	176,000	174,000	
			Electric Power (Watts)	10,118	10,806	11,582	
			Leaving Air Temperature (°F)	75.4	84.4	93.5	
	60	45.00	Total Capacity (Btu/h)	202,000	198,000	196,000	
			Electric Power (Watts)	10,928	11,652	12,472	
			Leaving Air Temperature (°F)	82.4	91.1	100	
	70	45.00	Total Capacity (Btu/h)	226,000	222,000	218,000	
			Electric Power (Watts)	11,848	12,610	13,472	
			Leaving Air Temperature (°F)	89.8	98.1	106.8	

UNIT DATA- PRRW 180

	AIRFLOW (CFM)	EWT (°F)	WATER FLOW (GPM)	ENTERING AIR TEMPERATURE (°F)									
				75 DB			80 DB			85 DB			
				63 WB	67 WB	71 WB	63 WB	67 WB	71 WB	63 WB	67 WB	71 WB	
RECIRCULATING AIR COOLING	4,500	50	45.00	Total Capacity (Btu/h)	206,000	220,000	234,000	206,000	220,000	234,000	206,000	220,000	234,000
				Sensible Capacity (Btu/h)	138,000	117,000	95,000	160,000	142,000	120,000	184,000	164,000	146,000
				Electric Power (Watts)	10,074	10,248	10,434	10,080	10,260	10,452	10,098	10,266	10,468
				Leaving Air Temperature (°F db/°F wb)	47.0 / 46.3	51.5 / 50.8	56.1 / 55.3	47.5 / 46.2	51.4 / 50.6	55.9 / 55.2	47.8 / 46.1	51.9 / 50.5	55.8 / 55.0
		60	45.00	Total Capacity (Btu/h)	198,000	212,000	224,000	198,000	212,000	226,000	200,000	212,000	226,000
				Sensible Capacity (Btu/h)	136,000	114,000	91,000	156,000	138,000	117,000	180,000	160,000	142,000
				Electric Power (Watts)	10,900	11,062	11,238	10,906	11,074	11,256	10,926	11,080	11,270
				Leaving Air Temperature (°F db/°F wb)	47.7 / 47.0	52.2 / 51.4	56.7 / 56.0	48.3 / 46.9	52.1 / 51.3	56.6 / 55.8	48.6 / 46.8	52.6 / 51.2	56.5 / 55.7
		75	45.00	Total Capacity (Btu/h)	186,000	200,000	212,000	186,000	200,000	212,000	188,000	200,000	214,000
				Sensible Capacity (Btu/h)	130,000	108,000	86,000	152,000	134,000	112,000	174,000	154,000	136,000
				Electric Power (Watts)	12,296	12,442	12,598	12,302	12,454	12,618	12,322	12,460	12,646
				Leaving Air Temperature (F db/F wb)	48.8 / 48.1	53.2 / 52.5	57.8 / 57.0	49.4 / 48.1	53.1 / 52.4	57.6 / 56.8	49.7 / 47.9	53.7 / 52.3	57.7 / 56.7
	85	45.00	Total Capacity (Btu/h)	178,000	190,000	202,000	178,000	192,000	204,000	180,000	192,000	204,000	
			Sensible Capacity (Btu/h)	126,000	105,000	83,000	146,000	129,000	108,000	170,000	152,000	134,000	
			Electric Power (Watts)	13,370	13,504	13,648	13,402	13,538	13,668	13,412	13,524	13,686	
			Leaving Air Temperature (F db/F wb)	49.6 / 48.9	53.9 / 53.2	58.4 / 57.7	50.3 / 48.8	54.1 / 53.1	58.3 / 57.5	50.5 / 48.7	54.5 / 53.0	58.2 / 57.4	
	5,250	50	45.00	Total Capacity (Btu/h)	214,000	226,000	240,000	214,000	228,000	242,000	214,000	228,000	242,000
				Sensible Capacity (Btu/h)	150,000	125,000	99,000	174,000	154,000	129,000	200,000	178,000	158,000
				Electric Power (Watts)	10,164	10,346	10,538	10,170	10,360	10,558	10,184	10,364	10,578
				Leaving Air Temperature (°F db/°F wb)	49.1 / 48.5	53.5 / 52.9	58.1 / 57.4	49.8 / 48.4	53.4 / 52.8	57.9 / 57.3	50.1 / 48.3	54.2 / 52.7	57.9 / 57.2
		60	45.00	Total Capacity (Btu/h)	206,000	218,000	232,000	206,000	220,000	232,000	206,000	220,000	234,000
				Sensible Capacity (Btu/h)	146,000	121,000	96,000	170,000	150,000	125,000	198,000	174,000	154,000
				Electric Power (Watts)	10,982	11,152	11,332	10,986	11,178	11,352	11,004	11,170	11,380
				Leaving Air Temperature (°F db/°F wb)	49.7 / 49.1	54.1 / 53.5	58.6 / 58.0	50.5 / 49.0	54.2 / 53.3	58.5 / 57.8	50.7 / 48.9	54.8 / 53.3	58.6 / 57.7
75		45.00	Total Capacity (Btu/h)	192,000	206,000	218,000	192,000	206,000	220,000	194,000	206,000	220,000	
			Sensible Capacity (Btu/h)	136,000	116,000	91,000	164,000	142,000	119,000	192,000	168,000	150,000	
			Electric Power (Watts)	12,382	12,518	12,680	12,372	12,530	12,714	12,390	12,542	12,722	
			Leaving Air Temperature (F db/F wb)	51.4 / 50.0	55.0 / 54.4	59.5 / 58.9	51.5 / 50.0	55.5 / 54.3	59.6 / 58.7	51.8 / 49.8	55.8 / 54.2	59.4 / 58.6	
85	45.00	Total Capacity (Btu/h)	184,000	196,000	208,000	184,000	196,000	210,000	186,000	198,000	210,000		
		Sensible Capacity (Btu/h)	134,000	112,000	87,000	160,000	138,000	116,000	186,000	164,000	142,000		
		Electric Power (Watts)	13,428	13,570	13,722	13,446	13,594	13,746	13,462	13,596	13,764		
		Leaving Air Temperature (F db/F wb)	51.9 / 50.7	55.6 / 55.1	60.1 / 59.5	52.2 / 50.6	56.3 / 54.9	60.0 / 59.3	52.7 / 50.4	56.5 / 54.9	60.5 / 59.2		
6,000	50	45.00	Total Capacity (Btu/h)	218,000	232,000	246,000	218,000	234,000	248,000	220,000	234,000	248,000	
			Sensible Capacity (Btu/h)	156,000	132,000	103,000	188,000	160,000	136,000	216,000	192,000	166,000	
			Electric Power (Watts)	10,240	10,424	10,620	10,242	10,442	10,654	10,268	10,444	10,658	
			Leaving Air Temperature (°F db/°F wb)	51.4 / 50.2	55.1 / 54.5	59.6 / 59.0	51.6 / 50.1	55.7 / 54.4	59.7 / 58.9	52.0 / 49.9	55.9 / 54.4	60.0 / 58.8	
	60	45.00	Total Capacity (Btu/h)	210,000	224,000	236,000	210,000	224,000	238,000	212,000	224,000	238,000	
			Sensible Capacity (Btu/h)	152,000	127,000	100,000	184,000	158,000	132,000	212,000	188,000	162,000	
			Electric Power (Watts)	11,060	11,234	11,406	11,054	11,234	11,440	11,086	11,246	11,444	
			Leaving Air Temperature (°F db/°F wb)	52.0 / 50.7	55.8 / 55.1	60.1 / 59.5	52.2 / 50.6	56.2 / 55.0	60.2 / 59.4	52.7 / 50.4	56.5 / 54.9	60.6 / 59.3	
	75	45.00	Total Capacity (Btu/h)	198,000	210,000	222,000	198,000	210,000	224,000	202,000	212,000	224,000	
			Sensible Capacity (Btu/h)	146,000	122,000	94,000	178,000	152,000	128,000	202,000	182,000	156,000	
			Electric Power (Watts)	12,422	12,592	12,744	12,436	12,600	12,770	12,488	12,600	12,794	
			Leaving Air Temperature (F db/F wb)	52.8 / 51.6	56.6 / 55.9	60.8 / 60.3	53.1 / 51.5	57.2 / 55.8	60.8 / 60.2	54.2 / 51.1	57.4 / 55.7	61.6 / 60.1	
85	45.00	Total Capacity (Btu/h)	188,000	200,000	212,000	188,000	202,000	214,000	194,000	202,000	214,000		
		Sensible Capacity (Btu/h)	142,000	119,000	91,000	174,000	146,000	124,000	194,000	178,000	152,000		
		Electric Power (Watts)	13,488	13,628	13,780	13,492	13,654	13,810	13,564	13,660	13,832		
		Leaving Air Temperature (F db/F wb)	53.5 / 52.1	57.0 / 56.5	61.4 / 60.8	53.7 / 52.0	57.8 / 56.3	61.4 / 60.7	55.4 / 51.6	58.1 / 56.3	62.2 / 60.6		

UNIT DATA- PRRW 180

	AIRFLOW (CFM)	EWT (°F)	WATER FLOW (GPM)		ENTERING AIR TEMPERATURE (°F)		
					50	60	70
RECIRCULATING AIR HEATING	4,500	40	45.00	Total Capacity (Btu/h)	172,000	168,000	166,000
				Electric Power (Watts)	11,454	12,410	13,480
				Leaving Air Temperature (°F)	85.1	94.6	104
		50	45.00	Total Capacity (Btu/h)	194,000	190,000	186,000
				Electric Power (Watts)	12,048	13,028	14,108
				Leaving Air Temperature (°F)	89.7	99	108.4
		60	45.00	Total Capacity (Btu/h)	218,000	214,000	210,000
				Electric Power (Watts)	12,726	13,728	14,834
				Leaving Air Temperature (°F)	94.6	103.8	113
	70	45.00	Total Capacity (Btu/h)	242,000	238,000	234,000	
			Electric Power (Watts)	13,486	14,514	15,646	
			Leaving Air Temperature (°F)	99.8	108.9	118	
	5,250	40	45.00	Total Capacity (Btu/h)	172,000	170,000	166,000
				Electric Power (Watts)	11,084	12,024	13,052
				Leaving Air Temperature (°F)	80.4	89.8	99.4
		50	45.00	Total Capacity (Btu/h)	196,000	192,000	188,000
				Electric Power (Watts)	11,622	12,570	13,624
				Leaving Air Temperature (°F)	84.3	93.7	103.2
		60	45.00	Total Capacity (Btu/h)	220,000	216,000	212,000
				Electric Power (Watts)	12,224	13,190	14,258
				Leaving Air Temperature (°F)	88.7	97.9	107.2
	70	45.00	Total Capacity (Btu/h)	246,000	242,000	236,000	
			Electric Power (Watts)	12,906	13,890	14,978	
			Leaving Air Temperature (°F)	93.3	102.4	111.6	
6,000	40	45.00	Total Capacity (Btu/h)	174,000	170,000	168,000	
			Electric Power (Watts)	10,804	11,742	12,752	
			Leaving Air Temperature (°F)	76.7	86.2	95.8	
	50	45.00	Total Capacity (Btu/h)	196,000	192,000	190,000	
			Electric Power (Watts)	11,308	12,236	13,266	
			Leaving Air Temperature (°F)	80.2	89.7	99.2	
	60	45.00	Total Capacity (Btu/h)	222,000	218,000	214,000	
			Electric Power (Watts)	11,860	12,800	13,840	
			Leaving Air Temperature (°F)	84.1	93.4	102.8	
70	45.00	Total Capacity (Btu/h)	248,000	244,000	238,000		
		Electric Power (Watts)	12,484	13,436	14,492		
		Leaving Air Temperature (°F)	88.2	97.4	106.7		

UNIT DATA - PROW 210

	AIRFLOW (CFM)	EWT (°F)	WATER FLOW (GPM)		ENTERING AIR TEMPERATURE (°F)								
					90 DB			95 DB			100 DB		
					76 WB	78 WB	80 WB	76 WB	78 WB	80 WB	76 WB	78 WB	80 WB
100% OUTSIDE AIR COOLING	2,100	50	52.50	Total Capacity (Btu/h)	204,000	210,000	218,000	204,000	212,000	218,000	204,000	212,000	220,000
				Sensible Capacity (Btu/h)	100,000	94,000	89,000	112,000	107,000	101,000	124,000	119,000	113,000
				Electric Power (Watts)	11,000	11,038	11,092	11,010	11,064	11,102	11,018	11,072	11,128
				Leaving Air Temperature (F db/F wb)	49.1 / 47.2	51.5 / 49.6	53.9 / 52.0	48.9 / 47.0	51.3 / 49.3	53.6 / 51.8	48.7 / 46.8	51.1 / 49.1	53.6 / 51.5
		60	52.50	Total Capacity (Btu/h)	198,000	204,000	212,000	198,000	206,000	212,000	198,000	206,000	214,000
				Sensible Capacity (Btu/h)	97,000	91,000	86,000	109,000	104,000	98,000	122,000	116,000	110,000
				Electric Power (Watts)	11,928	11,960	12,014	11,938	11,988	12,022	11,944	11,996	12,050
				Leaving Air Temperature (F db/F wb)	50.3 / 48.4	52.6 / 50.8	55.1 / 53.1	50.1 / 48.1	52.5 / 50.5	54.8 / 52.9	49.9 / 47.9	52.3 / 50.2	54.8 / 52.7
		75	52.50	Total Capacity (Btu/h)	188,000	194,000	202,000	188,000	196,000	202,000	188,000	196,000	202,000
				Sensible Capacity (Btu/h)	92,000	87,000	81,000	105,000	99,000	94,000	117,000	112,000	106,000
				Electric Power (Watts)	13,508	13,532	13,580	13,518	13,564	13,588	13,524	13,572	13,622
				Leaving Air Temperature (F db/F wb)	52.2 / 50.1	54.4 / 52.5	56.8 / 54.9	52.0 / 49.9	54.3 / 52.3	56.6 / 54.7	51.8 / 49.7	54.1 / 52.0	56.6 / 54.4
85	52.50	Total Capacity (Btu/h)	180,000	188,000	194,000	182,000	188,000	194,000	182,000	188,000	196,000		
		Sensible Capacity (Btu/h)	89,000	83,000	78,000	102,000	96,000	90,000	114,000	108,000	103,000		
		Electric Power (Watts)	14,726	14,770	14,786	14,734	14,780	14,820	14,740	14,786	14,834		
		Leaving Air Temperature (F db/F wb)	53.5 / 51.4	55.9 / 53.7	58.0 / 56.1	53.2 / 51.2	55.7 / 53.5	58.0 / 55.9	53.0 / 51.0	55.4 / 53.3	57.9 / 55.7		
2,800	50	52.50	Total Capacity (Btu/h)	222,000	230,000	238,000	224,000	232,000	240,000	224,000	232,000	240,000	
			Sensible Capacity (Btu/h)	112,000	105,000	98,000	128,000	121,000	113,000	144,000	136,000	129,000	
			Electric Power (Watts)	11,128	11,182	11,242	11,154	11,208	11,264	11,160	11,218	11,278	
			Leaving Air Temperature (F db/F wb)	54.0 / 52.5	56.4 / 54.9	58.9 / 57.3	54.0 / 52.3	56.4 / 54.7	58.8 / 57.1	53.8 / 52.2	56.2 / 54.5	58.7 / 56.9	
	60	52.50	Total Capacity (Btu/h)	216,000	224,000	230,000	216,000	224,000	232,000	218,000	226,000	232,000	
			Sensible Capacity (Btu/h)	109,000	102,000	95,000	125,000	118,000	110,000	140,000	134,000	126,000	
			Electric Power (Watts)	12,056	12,094	12,148	12,070	12,122	12,174	12,074	12,130	12,188	
			Leaving Air Temperature (F db/F wb)	55.1 / 53.5	57.4 / 55.9	59.8 / 58.2	55.0 / 53.3	57.3 / 55.6	59.8 / 58.0	54.8 / 53.1	57.2 / 55.5	59.6 / 57.8	
	75	52.50	Total Capacity (Btu/h)	204,000	212,000	218,000	206,000	212,000	220,000	206,000	214,000	220,000	
			Sensible Capacity (Btu/h)	104,000	97,000	90,000	120,000	113,000	106,000	136,000	129,000	122,000	
			Electric Power (Watts)	13,624	13,670	13,718	13,634	13,684	13,732	13,636	13,690	13,732	
			Leaving Air Temperature (F db/F wb)	56.7 / 55	59.1 / 57.3	61.5 / 59.7	56.5 / 54.8	58.9 / 57.1	61.3 / 59.5	56.3 / 54.6	58.7 / 56.9	61.0 / 59.3	
85	52.50	Total Capacity (Btu/h)	196,000	204,000	210,000	198,000	204,000	212,000	198,000	204,000	212,000		
		Sensible Capacity (Btu/h)	100,000	93,000	86,000	116,000	109,000	102,000	132,000	125,000	119,000		
		Electric Power (Watts)	14,832	14,874	14,920	14,842	14,890	14,934	14,842	14,896	14,930		
		Leaving Air Temperature (F db/F wb)	57.8 / 56.0	60.2 / 58.3	62.5 / 60.7	57.6 / 55.8	60.0 / 58.1	62.4 / 60.5	57.4 / 55.7	59.8 / 58.0	62.0 / 60.3		
3,500	50	52.50	Total Capacity (Btu/h)	238,000	246,000	254,000	240,000	248,000	256,000	240,000	248,000	256,000	
			Sensible Capacity (Btu/h)	124,000	115,000	106,000	144,000	136,000	126,000	162,000	156,000	146,000	
			Electric Power (Watts)	11,258	11,314	11,370	11,260	11,328	11,384	11,270	11,324	11,394	
			Leaving Air Temperature (F db/F wb)	58.1 / 56.7	60.5 / 59.0	62.9 / 61.4	57.8 / 56.5	60.3 / 58.8	62.7 / 61.2	58.5 / 56.4	60.0 / 58.7	62.5 / 61.0	
	60	52.50	Total Capacity (Btu/h)	230,000	238,000	246,000	232,000	240,000	248,000	232,000	240,000	248,000	
			Sensible Capacity (Btu/h)	121,000	112,000	103,000	142,000	132,000	123,000	158,000	150,000	144,000	
			Electric Power (Watts)	12,164	12,216	12,270	12,164	12,228	12,282	12,174	12,224	12,294	
			Leaving Air Temperature (F db/F wb)	58.9 / 57.5	61.3 / 59.8	63.7 / 62.1	58.6 / 57.3	61.1 / 59.6	63.5 / 62.0	59.4 / 57.2	61.4 / 59.5	63.3 / 61.8	
	75	52.50	Total Capacity (Btu/h)	218,000	226,000	232,000	218,000	226,000	234,000	220,000	226,000	234,000	
			Sensible Capacity (Btu/h)	116,000	107,000	98,000	138,000	127,000	118,000	152,000	144,000	138,000	
			Electric Power (Watts)	13,718	13,764	13,814	13,702	13,776	13,826	13,724	13,786	13,838	
			Leaving Air Temperature (F db/F wb)	60.2 / 58.7	62.6 / 61.0	64.9 / 63.4	59.8 / 58.6	62.4 / 60.8	64.8 / 63.2	60.7 / 58.5	63.0 / 60.7	64.6 / 63.0	
85	52.50	Total Capacity (Btu/h)	208,000	216,000	222,000	210,000	216,000	224,000	210,000	218,000	224,000		
		Sensible Capacity (Btu/h)	113,000	104,000	95,000	132,000	124,000	115,000	148,000	142,000	134,000		
		Electric Power (Watts)	14,902	14,962	15,008	14,926	14,974	15,020	14,924	14,964	15,032		
		Leaving Air Temperature (F db/F wb)	60.9 / 59.6	63.5 / 61.9	65.8 / 64.2	61.0 / 59.4	63.3 / 61.7	65.6 / 64.0	61.7 / 59.3	63.8 / 61.6	65.5 / 63.9		

UNIT DATA - PROW 210

	AIRFLOW (CFM)	EWT (°F)	WATER FLOW (GPM)		ENTERING AIR TEMPERATURE (°F)		
					20	30	40
100% OUTSIDE AIR HEATING	2,000	40	52.50	Total Capacity (Btu/h)	188,000	186,000	184,000
				Electric Power (Watts)	13,470	14,446	15,538
				Leaving Air Temperature (°F)	99.7	108.4	117.4
		50	52.50	Total Capacity (Btu/h)	212,000	208,000	206,000
				Electric Power (Watts)	14,714	15,804	16,956
				Leaving Air Temperature (°F)	109.3	118.1	127
		60	52.50	Total Capacity (Btu/h)	236,000	232,000	230,000
				Electric Power (Watts)	16,138	17,284	18,412
				Leaving Air Temperature (°F)	119.6	127.9	136.7
	70	52.50	Total Capacity (Btu/h)	260,000	256,000	252,000	
			Electric Power (Watts)	17,688	18,758	19,812	
			Leaving Air Temperature (°F)	129.9	138	146.6	
	2,800	40	52.50	Total Capacity (Btu/h)	194,000	190,000	188,000
				Electric Power (Watts)	12,250	13,118	14,112
				Leaving Air Temperature (°F)	83.9	92.7	101.8
		50	52.50	Total Capacity (Btu/h)	218,000	214,000	210,000
				Electric Power (Watts)	13,212	14,158	15,194
				Leaving Air Temperature (°F)	91.7	100.4	109.4
		60	52.50	Total Capacity (Btu/h)	242,000	238,000	236,000
				Electric Power (Watts)	14,274	15,318	16,438
				Leaving Air Temperature (°F)	100	108.6	117.6
	70	52.50	Total Capacity (Btu/h)	270,000	264,000	260,000	
			Electric Power (Watts)	15,486	16,570	17,738	
			Leaving Air Temperature (°F)	108.9	117.1	125.8	
3,500	40	52.50	Total Capacity (Btu/h)	198,000	194,000	190,000	
			Electric Power (Watts)	11,378	12,206	13,130	
			Leaving Air Temperature (°F)	72.2	81.1	90.2	
	50	52.50	Total Capacity (Btu/h)	222,000	218,000	214,000	
			Electric Power (Watts)	12,144	13,038	14,014	
			Leaving Air Temperature (°F)	78.5	87.5	96.5	
	60	52.50	Total Capacity (Btu/h)	248,000	244,000	240,000	
			Electric Power (Watts)	13,030	13,966	15,002	
			Leaving Air Temperature (°F)	85.6	94.4	103.3	
	70	52.50	Total Capacity (Btu/h)	278,000	272,000	266,000	
			Electric Power (Watts)	14,008	14,978	16,054	
			Leaving Air Temperature (°F)	93.2	101.6	110.2	

UNIT DATA - PRRW 210

RECIRCULATING AIR COOLING	AIRFLOW (CFM)	EWT (°F)	WATER FLOW (GPM)	ENTERING AIR TEMPERATURE (°F)								
				75 DB			80 DB			85 DB		
				63 WB	67 WB	71 WB	63 WB	67 WB	71 WB	63 WB	67 WB	71 WB
5,250	50	52.50	Total Capacity (Btu/h)	224,000	238,000	254,000	224,000	240,000	256,000	224,000	240,000	256,000
			Sensible Capacity (Btu/h)	154,000	129,000	103,000	178,000	158,000	134,000	206,000	184,000	164,000
			Electric Power (Watts)	11,144	11,256	11,374	11,148	11,266	11,384	11,156	11,272	11,394
			Leaving Air Temperature (F db/F wb)	48.4 / 47.7	52.8 / 52.0	57.3 / 56.5	49.0 / 47.6	52.6 / 51.9	57.1 / 56.3	49.3 / 47.5	53.3 / 51.8	57.0 / 56.2
	60	52.50	Total Capacity (Btu/h)	214,000	230,000	244,000	216,000	230,000	246,000	216,000	230,000	248,000
			Sensible Capacity (Btu/h)	150,000	126,000	100,000	174,000	154,000	130,000	202,000	180,000	160,000
			Electric Power (Watts)	12,052	12,160	12,266	12,058	12,170	12,278	12,066	12,174	12,290
			Leaving Air Temperature (F db/F wb)	49.0 / 48.4	53.4 / 52.7	57.8 / 57.1	49.7 / 48.3	53.3 / 52.5	57.7 / 57.0	49.9 / 48.2	54.0 / 52.5	57.6 / 56.8
	75	52.50	Total Capacity (Btu/h)	202,000	216,000	230,000	202,000	216,000	232,000	204,000	216,000	232,000
			Sensible Capacity (Btu/h)	144,000	120,000	94,000	168,000	150,000	124,000	196,000	174,000	152,000
			Electric Power (Watts)	13,604	13,702	13,804	13,610	13,714	13,816	13,626	13,720	13,848
			Leaving Air Temperature (F db/F wb)	50.1 / 49.4	54.4 / 53.7	58.8 / 58.1	50.8 / 49.3	54.3 / 53.5	58.7 / 57.9	51.1 / 49.1	55.1 / 53.5	58.8 / 57.8
85	52.50	Total Capacity (Btu/h)	192,000	206,000	220,000	192,000	208,000	220,000	194,000	206,000	222,000	
		Sensible Capacity (Btu/h)	138,000	116,000	90,000	164,000	140,000	120,000	190,000	168,000	148,000	
		Electric Power (Watts)	14,796	14,892	14,990	14,806	14,928	15,002	14,822	14,912	15,030	
		Leaving Air Temperature (F db/F wb)	51.3 / 50.0	55.0 / 54.3	59.5 / 58.8	51.6 / 50.0	55.7 / 54.2	59.3 / 58.6	51.9 / 49.8	55.8 / 54.2	59.4 / 58.5	
6,125	50	52.50	Total Capacity (Btu/h)	230,000	246,000	262,000	232,000	248,000	264,000	232,000	248,000	266,000
			Sensible Capacity (Btu/h)	162,000	138,000	109,000	194,000	166,000	144,000	224,000	200,000	172,000
			Electric Power (Watts)	11,200	11,314	11,428	11,204	11,342	11,442	11,220	11,328	11,470
			Leaving Air Temperature (F db/F wb)	50.9 / 49.7	54.6 / 54.0	59.0 / 58.4	51.1 / 49.6	55.3 / 53.8	58.9 / 58.3	51.5 / 49.4	55.4 / 53.8	59.7 / 58.1
	60	52.50	Total Capacity (Btu/h)	222,000	238,000	252,000	222,000	238,000	254,000	224,000	238,000	254,000
			Sensible Capacity (Btu/h)	158,000	134,000	105,000	190,000	162,000	138,000	220,000	196,000	168,000
			Electric Power (Watts)	12,104	12,210	12,316	12,108	12,238	12,348	12,126	12,226	12,358
			Leaving Air Temperature (F db/F wb)	51.5 / 50.2	55.1 / 54.5	59.5 / 59.0	51.8 / 50.1	55.9 / 54.4	59.7 / 58.8	52.1 / 50.0	56.0 / 54.4	60.2 / 58.7
	75	52.50	Total Capacity (Btu/h)	208,000	222,000	236,000	208,000	224,000	238,000	212,000	224,000	238,000
			Sensible Capacity (Btu/h)	152,000	128,000	99,000	184,000	158,000	132,000	212,000	188,000	162,000
			Electric Power (Watts)	13,670	13,748	13,848	13,658	13,772	13,882	13,696	13,778	13,882
			Leaving Air Temperature (F db/F wb)	52.6 / 51.1	56.0 / 55.4	60.4 / 59.8	52.7 / 51.1	56.7 / 55.3	60.6 / 59.7	53.4 / 50.8	57.0 / 55.2	61.0 / 59.6
85	52.50	Total Capacity (Btu/h)	198,000	212,000	226,000	200,000	214,000	226,000	204,000	214,000	228,000	
		Sensible Capacity (Btu/h)	148,000	123,000	96,000	180,000	152,000	129,000	204,000	184,000	158,000	
		Electric Power (Watts)	14,852	14,956	15,028	14,850	14,970	15,056	14,902	14,968	15,080	
		Leaving Air Temperature (F db/F wb)	53.1 / 51.8	56.9 / 56.0	61.0 / 60.4	53.3 / 51.7	57.5 / 55.9	61.0 / 60.3	54.6 / 51.3	57.7 / 55.8	61.8 / 60.1	
7,000	50	52.50	Total Capacity (Btu/h)	238,000	252,000	268,000	238,000	254,000	270,000	242,000	254,000	270,000
			Sensible Capacity (Btu/h)	172,000	146,000	113,000	208,000	178,000	152,000	242,000	214,000	186,000
			Electric Power (Watts)	11,260	11,358	11,472	11,250	11,384	11,502	11,288	11,380	11,502
			Leaving Air Temperature (F db/F wb)	52.6 / 51.2	56.1 / 55.5	60.4 / 59.9	52.8 / 51.1	56.9 / 55.4	60.5 / 59.7	53.6 / 50.8	57.1 / 55.3	61.1 / 59.7
	60	52.50	Total Capacity (Btu/h)	228,000	244,000	258,000	228,000	244,000	260,000	234,000	244,000	260,000
			Sensible Capacity (Btu/h)	168,000	142,000	110,000	204,000	176,000	148,000	234,000	210,000	180,000
			Electric Power (Watts)	12,160	12,268	12,358	12,150	12,268	12,388	12,200	12,276	12,398
			Leaving Air Temperature (F db/F wb)	53.2 / 51.7	56.8 / 56.0	60.9 / 60.4	53.4 / 51.6	57.3 / 55.9	61.0 / 60.2	54.5 / 51.3	57.7 / 55.8	61.8 / 60.1
	75	52.50	Total Capacity (Btu/h)	214,000	228,000	242,000	214,000	228,000	244,000	222,000	228,000	244,000
			Sensible Capacity (Btu/h)	162,000	136,000	104,000	198,000	168,000	142,000	222,000	204,000	174,000
			Electric Power (Watts)	13,694	13,802	13,882	13,696	13,804	13,910	13,762	13,806	13,928
			Leaving Air Temperature (F db/F wb)	53.9 / 52.5	57.5 / 56.8	61.6 / 61.1	54.2 / 52.4	58.2 / 56.7	61.7 / 61.0	56.1 / 51.9	58.4 / 56.6	62.6 / 60.9
85	52.50	Total Capacity (Btu/h)	204,000	216,000	230,000	204,000	218,000	232,000	212,000	218,000	232,000	
		Sensible Capacity (Btu/h)	158,000	132,000	100,000	194,000	164,000	138,000	212,000	198,000	170,000	
		Electric Power (Watts)	14,894	14,978	15,060	14,884	14,986	15,098	14,964	15,016	15,112	
		Leaving Air Temperature (F db/F wb)	54.6 / 53.0	57.9 / 57.3	62.2 / 61.7	54.8 / 52.9	58.7 / 57.2	62.3 / 61.5	57.2 / 52.4	59.2 / 57.1	63.2 / 61.4	

UNIT DATA - PRRW 210

	AIRFLOW (CFM)	EWT (°F)	WATER FLOW (GPM)	ENTERING AIR TEMPERATURE (°F)			
				50	60	70	
RECIRCULATING AIR HEATING	5,250	40	52.50	Total Capacity (Btu/h)	194,000	190,000	188,000
				Electric Power (Watts)	12,528	13,534	14,638
				Leaving Air Temperature (°F)	84.2	93.5	103
		50	52.50	Total Capacity (Btu/h)	220,000	216,000	212,000
				Electric Power (Watts)	13,158	14,204	15,352
				Leaving Air Temperature (°F)	88.6	97.9	107.3
		60	52.50	Total Capacity (Btu/h)	248,000	242,000	238,000
				Electric Power (Watts)	13,852	14,936	16,124
				Leaving Air Temperature (°F)	93.5	102.7	111.9
	70	52.50	Total Capacity (Btu/h)	276,000	270,000	266,000	
			Electric Power (Watts)	14,592	15,712	16,936	
			Leaving Air Temperature (°F)	98.6	107.6	116.7	
	6,125	40	52.50	Total Capacity (Btu/h)	196,000	192,000	188,000
				Electric Power (Watts)	12,164	13,148	14,230
				Leaving Air Temperature (°F)	79.5	89	98.4
		50	52.50	Total Capacity (Btu/h)	222,000	218,000	214,000
				Electric Power (Watts)	12,722	13,738	14,856
				Leaving Air Temperature (°F)	83.4	92.8	102.2
		60	52.50	Total Capacity (Btu/h)	250,000	244,000	240,000
				Electric Power (Watts)	13,334	14,382	15,534
				Leaving Air Temperature (°F)	87.6	96.9	106.3
	70	52.50	Total Capacity (Btu/h)	280,000	274,000	268,000	
			Electric Power (Watts)	13,986	15,062	16,246	
			Leaving Air Temperature (°F)	92.1	101.3	110.5	
7,000	40	52.50	Total Capacity (Btu/h)	196,000	194,000	190,000	
			Electric Power (Watts)	11,894	12,864	13,928	
			Leaving Air Temperature (°F)	76	85.5	95	
	50	52.50	Total Capacity (Btu/h)	222,000	218,000	214,000	
			Electric Power (Watts)	12,402	13,398	14,494	
			Leaving Air Temperature (°F)	79.4	88.8	98.3	
	60	52.50	Total Capacity (Btu/h)	252,000	246,000	242,000	
			Electric Power (Watts)	12,956	13,976	15,102	
			Leaving Air Temperature (°F)	83.2	92.5	101.9	
70	52.50	Total Capacity (Btu/h)	282,000	276,000	270,000		
		Electric Power (Watts)	13,542	14,588	15,740		
		Leaving Air Temperature (°F)	87.2	96.5	105.7		

UNIT DATA - PROW 240

	AIRFLOW (CFM)	EWT (°F)	WATER FLOW (GPM)		ENTERING AIR TEMPERATURE (°F)								
					90 DB			95 DB			100 DB		
					76 WB	78 WB	80 WB	76 WB	78 WB	80 WB	76 WB	78 WB	80 WB
100% OUTSIDE AIR COOLING	2,500	50	60.00	Total Capacity (Btu/h)	230,000	238,000	246,000	232,000	240,000	248,000	232,000	240,000	248,000
				Sensible Capacity (Btu/h)	113,000	107,000	100,000	127,000	121,000	115,000	142,000	134,000	129,000
				Electric Power (Watts)	12,176	12,218	12,296	12,190	12,260	12,308	12,198	12,272	12,352
				Leaving Air Temperature (F db/F wb)	49.5 / 47.5	51.8 / 50.0	54.3 / 52.4	49.2 / 47.3	51.7 / 49.7	54.0 / 52.2	49.1 / 47.1	51.5 / 49.5	53.9 / 51.9
		60	60.00	Total Capacity (Btu/h)	224,000	232,000	240,000	224,000	232,000	240,000	224,000	234,000	242,000
				Sensible Capacity (Btu/h)	110,000	104,000	97,000	124,000	117,000	111,000	138,000	132,000	125,000
				Electric Power (Watts)	13,344	13,378	13,452	13,356	13,424	13,466	13,366	13,436	13,512
				Leaving Air Temperature (F db/F wb)	50.6 / 48.7	52.9 / 51.1	55.4 / 53.5	50.4 / 48.5	52.9 / 50.8	55.1 / 53.3	50.2 / 48.3	52.7 / 50.6	55.1 / 53.0
		75	60.00	Total Capacity (Btu/h)	212,000	220,000	228,000	214,000	220,000	228,000	214,000	222,000	230,000
				Sensible Capacity (Btu/h)	104,000	98,000	92,000	119,000	112,000	106,000	132,000	127,000	120,000
				Electric Power (Watts)	15,278	15,336	15,364	15,290	15,350	15,414	15,296	15,360	15,430
				Leaving Air Temperature (F db/F wb)	52.5 / 50.4	55.0 / 52.8	57.1 / 55.3	52.3 / 50.2	54.7 / 52.6	57.2 / 55.0	52.1 / 50.0	54.5 / 52.4	56.9 / 54.8
85	60.00	Total Capacity (Btu/h)	204,000	212,000	218,000	206,000	212,000	220,000	206,000	214,000	222,000		
		Sensible Capacity (Btu/h)	101,000	94,000	89,000	115,000	109,000	102,000	129,000	123,000	117,000		
		Electric Power (Watts)	16,752	16,804	16,808	16,760	16,816	16,876	16,764	16,824	16,886		
		Leaving Air Temperature (F db/F wb)	53.8 / 51.7	56.3 / 54.0	58.3 / 56.5	53.6 / 51.5	56.0 / 53.8	58.5 / 56.2	53.3 / 51.3	55.8 / 53.6	58.2 / 56.0		
3,200	50	60.00	Total Capacity (Btu/h)	252,000	260,000	268,000	254,000	262,000	270,000	254,000	262,000	272,000	
			Sensible Capacity (Btu/h)	126,000	118,000	110,000	144,000	136,000	128,000	162,000	154,000	146,000	
			Electric Power (Watts)	12,374	12,458	12,554	12,390	12,480	12,574	12,398	12,492	12,598	
			Leaving Air Temperature (F db/F wb)	54.6 / 52.9	57.0 / 55.3	59.5 / 57.7	54.3 / 52.7	56.8 / 55.1	59.3 / 57.5	54.2 / 52.5	56.5 / 54.9	59.1 / 57.3	
	60	60.00	Total Capacity (Btu/h)	244,000	252,000	260,000	246,000	254,000	262,000	246,000	254,000	262,000	
			Sensible Capacity (Btu/h)	123,000	114,000	106,000	142,000	132,000	125,000	160,000	152,000	144,000	
			Electric Power (Watts)	13,526	13,606	13,694	13,542	13,628	13,714	13,548	13,636	13,718	
			Leaving Air Temperature (F db/F wb)	55.5 / 53.8	58.0 / 56.2	60.4 / 58.6	55.3 / 53.6	57.8 / 56.0	60.2 / 58.4	55.1 / 53.5	57.5 / 55.8	59.9 / 58.2	
	75	60.00	Total Capacity (Btu/h)	232,000	238,000	246,000	232,000	240,000	248,000	232,000	240,000	248,000	
			Sensible Capacity (Btu/h)	117,000	109,000	101,000	136,000	128,000	119,000	152,000	146,000	138,000	
			Electric Power (Watts)	15,434	15,504	15,582	15,448	15,504	15,604	15,448	15,530	15,598	
			Leaving Air Temperature (F db/F wb)	57.0 / 55.3	59.5 / 57.6	61.9 / 60.0	56.8 / 55.1	59.1 / 57.5	61.7 / 59.8	57.2 / 55.0	59.0 / 57.3	61.3 / 59.6	
85	60.00	Total Capacity (Btu/h)	222,000	230,000	236,000	224,000	230,000	238,000	224,000	232,000	238,000		
		Sensible Capacity (Btu/h)	113,000	105,000	97,000	132,000	125,000	116,000	148,000	142,000	134,000		
		Electric Power (Watts)	16,886	16,946	17,016	16,898	16,938	17,012	16,894	16,970	17,024		
		Leaving Air Temperature (F db/F wb)	58.2 / 56.3	60.5 / 58.6	62.9 / 61.0	57.9 / 56.1	60.1 / 58.5	62.5 / 60.8	58.4 / 56.0	60.1 / 58.3	62.3 / 60.6		
4,000	50	60.00	Total Capacity (Btu/h)	270,000	278,000	286,000	270,000	278,000	288,000	270,000	280,000	288,000	
			Sensible Capacity (Btu/h)	140,000	130,000	120,000	164,000	154,000	142,000	182,000	172,000	166,000	
			Electric Power (Watts)	12,562	12,660	12,766	12,562	12,664	12,786	12,578	12,692	12,808	
			Leaving Air Temperature (F db/F wb)	58.5 / 57.0	60.9 / 59.4	63.3 / 61.7	58.2 / 56.9	60.5 / 59.2	63.1 / 61.6	59.0 / 56.7	61.2 / 59.0	62.9 / 61.4	
	60	60.00	Total Capacity (Btu/h)	260,000	268,000	276,000	260,000	270,000	278,000	262,000	270,000	280,000	
			Sensible Capacity (Btu/h)	138,000	127,000	116,000	160,000	150,000	140,000	178,000	168,000	162,000	
			Electric Power (Watts)	13,680	13,788	13,888	13,694	13,808	13,910	13,716	13,824	13,932	
			Leaving Air Temperature (F db/F wb)	59.1 / 57.8	61.7 / 60.1	64.1 / 62.5	58.9 / 57.6	61.5 / 59.9	63.9 / 62.3	59.9 / 57.5	62.1 / 59.8	63.7 / 62.1	
	75	60.00	Total Capacity (Btu/h)	246,000	254,000	262,000	246,000	254,000	262,000	248,000	256,000	264,000	
			Sensible Capacity (Btu/h)	132,000	122,000	111,000	152,000	144,000	134,000	172,000	164,000	154,000	
			Electric Power (Watts)	15,558	15,640	15,748	15,586	15,678	15,768	15,594	15,674	15,770	
			Leaving Air Temperature (F db/F wb)	60.4 / 59.0	62.7 / 61.4	65.3 / 63.7	61.0 / 58.8	62.7 / 61.1	65.1 / 63.5	61.3 / 58.7	63.3 / 61.0	65.4 / 63.4	
85	60.00	Total Capacity (Btu/h)	236,000	242,000	250,000	238,000	244,000	252,000	236,000	246,000	252,000		
		Sensible Capacity (Btu/h)	128,000	118,000	108,000	148,000	142,000	132,000	168,000	160,000	150,000		
		Electric Power (Watts)	16,980	17,058	17,138	17,016	17,076	17,160	17,018	17,094	17,176		
		Leaving Air Temperature (F db/F wb)	61.2 / 59.9	63.5 / 62.2	65.9 / 64.5	61.6 / 59.6	63.4 / 62.0	65.7 / 64.3	62.2 / 59.6	63.9 / 61.8	66.3 / 64.2		

UNIT DATA - PROW 240

	AIRFLOW (CFM)	EWT (°F)	WATER FLOW (GPM)		ENTERING AIR TEMPERATURE (°F)		
					20	30	40
100% OUTSIDE AIR HEATING	2,500	40	60.00	Total Capacity (Btu/h)	214,000	210,000	208,000
				Electric Power (Watts)	15,596	16,844	18,204
				Leaving Air Temperature (°F)	98.8	107.7	116.7
		50	60.00	Total Capacity (Btu/h)	240,000	236,000	234,000
				Electric Power (Watts)	17,082	18,426	19,892
				Leaving Air Temperature (°F)	108.5	117.1	126.4
		60	60.00	Total Capacity (Btu/h)	266,000	264,000	260,000
				Electric Power (Watts)	18,762	20,156	21,584
				Leaving Air Temperature (°F)	118.5	127.2	136
	70	60.00	Total Capacity (Btu/h)	296,000	290,000	290,000	
			Electric Power (Watts)	20,686	21,968	23,070	
			Leaving Air Temperature (°F)	129	137.3	146.9	
	3,200	40	60.00	Total Capacity (Btu/h)	220,000	214,000	212,000
				Electric Power (Watts)	14,064	15,164	16,404
				Leaving Air Temperature (°F)	83.3	92	101
		50	60.00	Total Capacity (Btu/h)	246,000	242,000	238,000
				Electric Power (Watts)	15,212	16,380	17,678
				Leaving Air Temperature (°F)	91	99.7	108.8
		60	60.00	Total Capacity (Btu/h)	276,000	270,000	266,000
				Electric Power (Watts)	16,510	17,768	19,148
				Leaving Air Temperature (°F)	99.5	107.9	116.9
	70	60.00	Total Capacity (Btu/h)	306,000	300,000	294,000	
			Electric Power (Watts)	18,010	19,316	20,738	
			Leaving Air Temperature (°F)	108.1	116.3	124.9	
4,000	40	60.00	Total Capacity (Btu/h)	222,000	218,000	216,000	
			Electric Power (Watts)	12,944	14,016	15,178	
			Leaving Air Temperature (°F)	71.2	80.5	89.6	
	50	60.00	Total Capacity (Btu/h)	250,000	246,000	242,000	
			Electric Power (Watts)	13,886	15,000	16,212	
			Leaving Air Temperature (°F)	77.9	86.9	96	
	60	60.00	Total Capacity (Btu/h)	282,000	276,000	272,000	
			Electric Power (Watts)	14,990	16,144	17,408	
			Leaving Air Temperature (°F)	85.1	93.8	102.7	
70	60.00	Total Capacity (Btu/h)	314,000	308,000	302,000		
		Electric Power (Watts)	16,242	17,432	18,736		
		Leaving Air Temperature (°F)	92.5	100.9	109.6		

UNIT DATA - PRRW 240

RECIRCULATING AIR COOLING	AIRFLOW (CFM)	EWT (°F)	WATER FLOW (GPM)	ENTERING AIR TEMPERATURE (°F)								
				75 DB			80 DB			85 DB		
				63 WB	67 WB	71 WB	63 WB	67 WB	71 WB	63 WB	67 WB	71 WB
6,000	50	60.00	Total Capacity (Btu/h)	254,000	270,000	288,000	254,000	272,000	290,000	254,000	272,000	290,000
			Sensible Capacity (Btu/h)	172,000	146,000	116,000	202,000	178,000	150,000	232,000	208,000	184,000
			Electric Power (Watts)	12,272	12,454	12,678	12,302	12,492	12,706	12,316	12,480	12,726
			Leaving Air Temperature (F db/F wb)	49.0 / 47.8	52.9 / 52.2	57.7 / 56.7	49.4 / 47.7	53.0 / 52.1	57.5 / 56.5	49.7 / 47.6	53.6 / 52.0	57.4 / 56.4
	60	60.00	Total Capacity (Btu/h)	244,000	260,000	278,000	244,000	262,000	278,000	244,000	262,000	280,000
			Sensible Capacity (Btu/h)	168,000	142,000	112,000	196,000	174,000	146,000	228,000	204,000	180,000
			Electric Power (Watts)	13,412	13,582	13,794	13,444	13,622	13,822	13,432	13,606	13,842
			Leaving Air Temperature (F db/F wb)	49.7 / 48.5	53.5 / 52.8	58.3 / 57.3	50.1 / 48.4	53.6 / 52.7	58.1 / 57.1	50.2 / 48.3	54.3 / 52.6	58.0 / 57.0
	75	60.00	Total Capacity (Btu/h)	230,000	244,000	260,000	230,000	246,000	262,000	230,000	246,000	264,000
			Sensible Capacity (Btu/h)	160,000	136,000	105,000	190,000	164,000	140,000	222,000	196,000	170,000
			Electric Power (Watts)	15,328	15,448	15,642	15,338	15,496	15,672	15,324	15,474	15,676
			Leaving Air Temperature (F db/F wb)	50.9 / 49.4	54.5 / 53.8	59.2 / 58.2	51.2 / 49.4	55.2 / 53.6	59.1 / 58.1	51.4 / 49.2	55.3 / 53.6	59.4 / 57.9
85	60.00	Total Capacity (Btu/h)	220,000	234,000	248,000	220,000	236,000	250,000	220,000	234,000	252,000	
		Sensible Capacity (Btu/h)	154,000	132,000	101,000	186,000	160,000	134,000	216,000	192,000	166,000	
		Electric Power (Watts)	16,764	16,864	17,046	16,742	16,916	17,076	16,760	16,890	17,074	
		Leaving Air Temperature (F db/F wb)	51.7 / 50.1	55.1 / 54.5	59.9 / 58.9	51.7 / 50.1	55.9 / 54.3	59.7 / 58.7	52.1 / 49.9	56.0 / 54.3	60.1 / 58.6	
7,000	50	60.00	Total Capacity (Btu/h)	262,000	280,000	296,000	262,000	280,000	298,000	264,000	280,000	298,000
			Sensible Capacity (Btu/h)	184,000	156,000	121,000	220,000	188,000	160,000	254,000	224,000	196,000
			Electric Power (Watts)	12,380	12,574	12,788	12,366	12,594	12,822	12,416	12,602	12,828
			Leaving Air Temperature (F db/F wb)	51.2 / 49.8	55.0 / 54.1	59.5 / 58.6	51.4 / 49.7	55.5 / 54.0	59.3 / 58.4	51.9 / 49.5	55.8 / 53.9	59.8 / 58.3
	60	60.00	Total Capacity (Btu/h)	252,000	268,000	286,000	252,000	270,000	288,000	254,000	270,000	288,000
			Sensible Capacity (Btu/h)	178,000	150,000	117,000	214,000	186,000	156,000	250,000	220,000	190,000
			Electric Power (Watts)	13,514	13,694	13,894	13,524	13,698	13,926	13,524	13,724	13,934
			Leaving Air Temperature (F db/F wb)	51.8 / 50.3	55.5 / 54.7	60.0 / 59.1	52.2 / 50.2	56.0 / 54.6	59.9 / 59.0	52.4 / 50.1	56.5 / 54.5	60.4 / 58.9
	75	60.00	Total Capacity (Btu/h)	236,000	252,000	268,000	236,000	254,000	270,000	240,000	254,000	270,000
			Sensible Capacity (Btu/h)	172,000	144,000	110,000	208,000	178,000	150,000	240,000	214,000	184,000
			Electric Power (Watts)	15,374	15,552	15,728	15,376	15,572	15,760	15,426	15,572	15,772
			Leaving Air Temperature (F db/F wb)	52.7 / 51.3	56.4 / 55.5	60.8 / 59.9	52.9 / 51.2	57.1 / 55.4	60.7 / 59.8	53.7 / 50.9	57.2 / 55.3	61.3 / 59.7
85	60.00	Total Capacity (Btu/h)	226,000	240,000	256,000	226,000	242,000	258,000	232,000	242,000	258,000	
		Sensible Capacity (Btu/h)	166,000	140,000	106,000	202,000	172,000	148,000	232,000	210,000	178,000	
		Electric Power (Watts)	16,816	16,962	17,120	16,814	16,966	17,132	16,868	16,978	17,172	
		Leaving Air Temperature (F db/F wb)	53.4 / 51.8	57.0 / 56.1	61.4 / 60.5	53.6 / 51.7	57.6 / 56.0	61.1 / 60.4	54.8 / 51.4	57.9 / 55.9	62.0 / 60.2	
8,000	50	60.00	Total Capacity (Btu/h)	268,000	286,000	302,000	270,000	286,000	304,000	272,000	288,000	306,000
			Sensible Capacity (Btu/h)	196,000	164,000	126,000	236,000	202,000	172,000	272,000	242,000	208,000
			Electric Power (Watts)	12,450	12,658	12,880	12,466	12,660	12,916	12,500	12,692	12,936
			Leaving Air Temperature (F db/F wb)	52.8 / 51.3	56.4 / 55.7	60.8 / 60.1	53.2 / 51.2	57.0 / 55.6	60.7 / 59.9	53.9 / 51.0	57.5 / 55.4	61.5 / 59.8
	60	60.00	Total Capacity (Btu/h)	258,000	274,000	292,000	260,000	276,000	294,000	264,000	276,000	294,000
			Sensible Capacity (Btu/h)	192,000	160,000	122,000	230,000	196,000	168,000	264,000	240,000	204,000
			Electric Power (Watts)	13,562	13,770	13,978	13,596	13,788	14,010	13,644	13,780	14,018
			Leaving Air Temperature (F db/F wb)	53.3 / 51.8	56.9 / 56.1	61.3 / 60.5	53.7 / 51.7	57.7 / 56.0	61.2 / 60.4	54.8 / 51.4	57.8 / 55.9	61.9 / 60.3
	75	60.00	Total Capacity (Btu/h)	242,000	258,000	274,000	242,000	258,000	274,000	250,000	260,000	276,000
			Sensible Capacity (Btu/h)	184,000	154,000	115,000	224,000	190,000	162,000	250,000	230,000	198,000
			Electric Power (Watts)	15,426	15,614	15,798	15,446	15,620	15,814	15,536	15,652	15,834
			Leaving Air Temperature (F db/F wb)	54.1 / 52.6	57.7 / 56.9	62.1 / 61.2	54.5 / 52.5	58.4 / 56.8	61.7 / 61.1	56.4 / 52.0	58.8 / 56.7	62.7 / 61.0
85	60.00	Total Capacity (Btu/h)	230,000	246,000	260,000	232,000	248,000	262,000	242,000	248,000	264,000	
		Sensible Capacity (Btu/h)	178,000	150,000	111,000	218,000	186,000	156,000	242,000	226,000	194,000	
		Electric Power (Watts)	16,848	16,994	17,184	16,888	17,028	17,206	16,966	17,038	17,230	
		Leaving Air Temperature (F db/F wb)	54.7 / 53.1	58.0 / 57.4	62.6 / 61.7	55.2 / 53.0	58.9 / 57.3	62.4 / 61.6	57.5 / 52.5	59.3 / 57.2	63.2 / 61.5	

UNIT DATA - PRRW 240

	AIRFLOW (CFM)	EWT (°F)	WATER FLOW (GPM)	ENTERING AIR TEMPERATURE (°F)			
				50	60	70	
RECIRCULATING AIR HEATING	6,000	40	60.00	Total Capacity (Btu/h)	218,000	214,000	212,000
				Electric Power (Watts)	14,236	15,484	16,872
				Leaving Air Temperature (°F)	83.5	93	102.5
		50	60.00	Total Capacity (Btu/h)	248,000	242,000	240,000
				Electric Power (Watts)	14,958	16,246	17,668
				Leaving Air Temperature (°F)	88	97.4	106.8
		60	60.00	Total Capacity (Btu/h)	278,000	274,000	270,000
				Electric Power (Watts)	15,796	17,114	18,564
				Leaving Air Temperature (°F)	92.9	102.1	111.4
	70	60.00	Total Capacity (Btu/h)	312,000	306,000	300,000	
			Electric Power (Watts)	16,764	18,104	19,572	
			Leaving Air Temperature (°F)	98	107.1	116.3	
	7,000	40	60.00	Total Capacity (Btu/h)	220,000	216,000	212,000
				Electric Power (Watts)	13,788	15,010	16,358
				Leaving Air Temperature (°F)	78.9	88.4	98
		50	60.00	Total Capacity (Btu/h)	250,000	244,000	240,000
				Electric Power (Watts)	14,424	15,676	17,058
				Leaving Air Temperature (°F)	82.8	92.3	101.8
		60	60.00	Total Capacity (Btu/h)	282,000	276,000	272,000
				Electric Power (Watts)	15,170	16,446	17,848
				Leaving Air Temperature (°F)	87.1	96.4	105.8
	70	60.00	Total Capacity (Btu/h)	316,000	310,000	304,000	
			Electric Power (Watts)	16,042	17,332	18,748	
			Leaving Air Temperature (°F)	91.6	100.8	110.1	
8,000	40	60.00	Total Capacity (Btu/h)	220,000	216,000	214,000	
			Electric Power (Watts)	13,456	14,662	15,990	
			Leaving Air Temperature (°F)	75.4	85	94.6	
	50	60.00	Total Capacity (Btu/h)	250,000	246,000	242,000	
			Electric Power (Watts)	14,028	15,258	16,610	
			Leaving Air Temperature (°F)	78.9	88.4	97.9	
	60	60.00	Total Capacity (Btu/h)	284,000	278,000	274,000	
			Electric Power (Watts)	14,710	15,956	17,324	
			Leaving Air Temperature (°F)	82.7	92.1	101.5	
70	60.00	Total Capacity (Btu/h)	318,000	312,000	306,000		
		Electric Power (Watts)	15,514	16,766	18,144		
		Leaving Air Temperature (°F)	86.7	96	105.3		

UNIT DATA- PROW 300

	AIRFLOW (CFM)	EWT (°F)	WATER FLOW (GPM)		ENTERING AIR TEMPERATURE (°F)								
					90 DB			95 DB			100 DB		
					76 WB	78 WB	80 WB	76 WB	78 WB	80 WB	76 WB	78 WB	80 WB
100% OUTSIDE AIR COOLING	3,125	50	75.00	Total Capacity (Btu/h)	282,000	290,000	300,000	282,000	292,000	302,000	284,000	292,000	304,000
				Sensible Capacity (Btu/h)	138,000	130,000	122,000	156,000	148,000	140,000	174,000	166,000	158,000
				Electric Power (Watts)	14,200	14,120	14,078	14,190	14,162	14,108	14,194	14,164	14,120
				Leaving Air Temperature (F db/F wb)	50.4 / 48.5	52.7 / 50.9	55.3 / 53.4	50.2 / 48.2	52.7 / 50.6	55.2 / 53.1	50.0 / 48.0	52.5 / 50.4	55.0 / 52.9
		60	75.00	Total Capacity (Btu/h)	272,000	282,000	290,000	274,000	282,000	292,000	274,000	284,000	294,000
				Sensible Capacity (Btu/h)	134,000	125,000	118,000	152,000	144,000	134,000	170,000	162,000	152,000
				Electric Power (Watts)	15,830	15,808	15,768	15,834	15,824	15,802	15,838	15,830	15,816
				Leaving Air Temperature (F db/F wb)	51.7 / 49.6	54.1 / 52.1	56.4 / 54.5	51.4 / 49.4	53.9 / 51.8	56.4 / 54.2	51.2 / 49.2	53.7 / 51.6	56.2 / 54.0
		75	75.00	Total Capacity (Btu/h)	258,000	266,000	276,000	258,000	268,000	276,000	260,000	268,000	278,000
				Sensible Capacity (Btu/h)	127,000	119,000	110,000	144,000	136,000	128,000	162,000	154,000	146,000
				Electric Power (Watts)	18,276	18,286	18,306	18,284	18,306	18,318	18,288	18,312	18,334
				Leaving Air Temperature (F db/F wb)	53.6 / 51.5	56.0 / 53.9	58.5 / 56.3	53.4 / 51.3	55.8 / 53.6	58.2 / 56.0	53.2 / 51.1	55.6 / 53.4	58.0 / 55.8
85	75.00	Total Capacity (Btu/h)	248,000	256,000	264,000	248,000	258,000	266,000	250,000	258,000	268,000		
		Sensible Capacity (Btu/h)	122,000	114,000	106,000	140,000	132,000	124,000	158,000	150,000	142,000		
		Electric Power (Watts)	20,010	20,032	20,064	20,018	20,052	20,078	20,018	20,056	20,094		
		Leaving Air Temperature (F db/F wb)	54.9 / 52.7	57.3 / 55.1	59.8 / 57.5	54.7 / 52.5	57.1 / 54.9	59.6 / 57.2	54.5 / 52.3	56.9 / 54.6	59.3 / 57.0		
4,000	50	75.00	Total Capacity (Btu/h)	306,000	316,000	326,000	308,000	318,000	328,000	308,000	318,000	330,000	
			Sensible Capacity (Btu/h)	154,000	144,000	134,000	176,000	166,000	156,000	198,000	190,000	180,000	
			Electric Power (Watts)	14,084	14,040	13,988	14,094	14,040	13,990	14,092	14,044	13,970	
			Leaving Air Temperature (F db/F wb)	55.4 / 53.7	57.9 / 56.1	60.3 / 58.5	55.2 / 53.5	57.6 / 55.9	60.1 / 58.3	55.6 / 53.3	57.4 / 55.7	59.8 / 58.1	
	60	75.00	Total Capacity (Btu/h)	296,000	306,000	316,000	298,000	306,000	316,000	298,000	308,000	318,000	
			Sensible Capacity (Btu/h)	150,000	140,000	129,000	172,000	162,000	152,000	192,000	184,000	176,000	
			Electric Power (Watts)	15,794	15,780	15,762	15,806	15,786	15,768	15,804	15,790	15,750	
			Leaving Air Temperature (F db/F wb)	56.4 / 54.6	58.9 / 57.1	61.3 / 59.4	56.2 / 54.4	58.7 / 56.8	61.1 / 59.2	56.6 / 54.3	58.4 / 56.6	60.7 / 59.1	
	75	75.00	Total Capacity (Btu/h)	278,000	288,000	298,000	280,000	290,000	298,000	280,000	290,000	300,000	
			Sensible Capacity (Btu/h)	144,000	132,000	122,000	166,000	156,000	146,000	186,000	178,000	168,000	
			Electric Power (Watts)	18,298	18,338	18,358	18,334	18,324	18,346	18,332	18,356	18,368	
			Leaving Air Temperature (F db/F wb)	57.8 / 56.2	60.4 / 58.5	62.8 / 60.9	57.7 / 55.9	60.0 / 58.3	62.4 / 60.7	58.3 / 55.8	60.0 / 58.1	62.3 / 60.5	
85	75.00	Total Capacity (Btu/h)	268,000	276,000	284,000	268,000	278,000	286,000	270,000	278,000	288,000		
		Sensible Capacity (Btu/h)	138,000	129,000	118,000	160,000	152,000	142,000	180,000	174,000	164,000		
		Electric Power (Watts)	20,050	20,086	20,122	20,094	20,092	20,130	20,088	20,132	20,160		
		Leaving Air Temperature (F db/F wb)	58.8 / 57.2	61.2 / 59.5	63.6 / 61.9	58.8 / 57.0	61.0 / 59.3	63.4 / 61.7	59.4 / 56.9	61.0 / 59.1	63.3 / 61.5		
5,000	50	75.00	Total Capacity (Btu/h)	326,000	336,000	346,000	328,000	338,000	348,000	328,000	340,000	350,000	
			Sensible Capacity (Btu/h)	172,000	158,000	146,000	198,000	188,000	176,000	222,000	212,000	204,000	
			Electric Power (Watts)	13,974	13,944	13,890	13,968	13,918	13,866	13,990	13,934	13,876	
			Leaving Air Temperature (F db/F wb)	59.1 / 57.7	61.6 / 60.1	64.0 / 62.5	59.5 / 57.6	61.3 / 59.9	63.7 / 62.3	59.9 / 57.4	62.1 / 59.7	63.6 / 62.1	
	60	75.00	Total Capacity (Btu/h)	314,000	324,000	334,000	316,000	326,000	336,000	316,000	328,000	338,000	
			Sensible Capacity (Btu/h)	168,000	156,000	142,000	192,000	184,000	170,000	218,000	208,000	196,000	
			Electric Power (Watts)	15,746	15,730	15,708	15,764	15,728	15,728	15,766	15,732	15,712	
			Leaving Air Temperature (F db/F wb)	59.9 / 58.5	62.2 / 60.9	64.6 / 63.2	60.5 / 58.3	62.0 / 60.7	64.6 / 63.0	60.8 / 58.2	62.6 / 60.4	64.9 / 62.9	
	75	75.00	Total Capacity (Btu/h)	296,000	304,000	314,000	298,000	308,000	316,000	298,000	310,000	320,000	
			Sensible Capacity (Btu/h)	162,000	148,000	136,000	186,000	178,000	164,000	210,000	200,000	188,000	
			Electric Power (Watts)	18,332	18,350	18,370	18,344	18,352	18,378	18,362	18,372	18,408	
			Leaving Air Temperature (F db/F wb)	61.1 / 59.8	63.4 / 62.1	65.8 / 64.4	61.5 / 59.5	63.0 / 61.8	65.6 / 64.2	62.2 / 59.5	63.9 / 61.6	66.2 / 63.9	
85	75.00	Total Capacity (Btu/h)	284,000	292,000	300,000	286,000	296,000	304,000	284,000	296,000	306,000		
		Sensible Capacity (Btu/h)	156,000	142,000	132,000	182,000	174,000	160,000	204,000	196,000	184,000		
		Electric Power (Watts)	20,130	20,162	20,176	20,130	20,166	20,200	20,150	20,172	20,210		
		Leaving Air Temperature (F db/F wb)	62.1 / 60.6	64.4 / 62.9	66.6 / 65.2	62.4 / 60.3	64.0 / 62.6	66.3 / 64.9	63.1 / 60.3	64.8 / 62.5	66.9 / 64.8		

UNIT DATA - PROW 300

100% OUTSIDE AIR HEATING	AIRFLOW (CFM)	EWT (°F)	WATER FLOW (GPM)		ENTERING AIR TEMPERATURE (°F)		
					20	30	40
3,125	40	75.00	Total Capacity (Btu/h)	266,000	258,000	254,000	
			Electric Power (Watts)	18,756	20,004	21,444	
			Leaving Air Temperature (°F)	98.5	106.5	115.3	
	50	75.00	Total Capacity (Btu/h)	296,000	290,000	286,000	
			Electric Power (Watts)	20,286	21,762	23,352	
			Leaving Air Temperature (°F)	107.2	115.8	124.6	
	60	75.00	Total Capacity (Btu/h)	328,000	322,000	318,000	
			Electric Power (Watts)	22,180	23,712	25,282	
			Leaving Air Temperature (°F)	116.8	125.2	134	
	70	75.00	Total Capacity (Btu/h)	362,000	356,000	352,000	
			Electric Power (Watts)	24,144	25,704	27,184	
			Leaving Air Temperature (°F)	126.7	135	143.7	
4,000	40	75.00	Total Capacity (Btu/h)	274,000	266,000	262,000	
			Electric Power (Watts)	16,998	18,202	19,540	
			Leaving Air Temperature (°F)	83	91.4	100.4	
	50	75.00	Total Capacity (Btu/h)	304,000	298,000	294,000	
			Electric Power (Watts)	18,190	19,496	20,938	
			Leaving Air Temperature (°F)	90.3	98.7	107.7	
	60	75.00	Total Capacity (Btu/h)	340,000	332,000	326,000	
			Electric Power (Watts)	19,600	21,028	22,530	
			Leaving Air Temperature (°F)	98.3	106.7	115.5	
	70	75.00	Total Capacity (Btu/h)	376,000	368,000	362,000	
			Electric Power (Watts)	21,178	22,688	24,256	
			Leaving Air Temperature (°F)	106.6	114.8	123.4	
5,000	40	75.00	Total Capacity (Btu/h)	278,000	272,000	266,000	
			Electric Power (Watts)	15,700	16,942	18,204	
			Leaving Air Temperature (°F)	71.4	80.4	89.2	
	50	75.00	Total Capacity (Btu/h)	312,000	306,000	300,000	
			Electric Power (Watts)	16,642	17,958	19,326	
			Leaving Air Temperature (°F)	77.5	86.4	95.3	
	60	75.00	Total Capacity (Btu/h)	348,000	340,000	334,000	
			Electric Power (Watts)	17,762	19,134	20,594	
			Leaving Air Temperature (°F)	84.2	92.8	101.8	
	70	75.00	Total Capacity (Btu/h)	386,000	378,000	370,000	
			Electric Power (Watts)	19,006	20,456	21,980	
			Leaving Air Temperature (°F)	91.2	99.6	108.2	

UNIT DATA- PRRW 300

	AIRFLOW (CFM)	EWT (°F)	WATER FLOW (GPM)	ENTERING AIR TEMPERATURE (°F)									
				75 DB			80 DB			85 DB			
				63 WB	67 WB	71 WB	63 WB	67 WB	71 WB	63 WB	67 WB	71 WB	
RECIRCULATING AIR COOLING	7,500	50	75.00	Total Capacity (Btu/h)	340,000	364,000	386,000	340,000	364,000	388,000	342,000	366,000	390,000
				Sensible Capacity (Btu/h)	228,000	194,000	156,000	266,000	236,000	200,000	304,000	272,000	242,000
				Electric Power (Watts)	16,772	17,012	17,268	16,780	17,032	17,294	16,790	17,040	17,314
				Leaving Air Temperature (F db/F wb)	47.3 / 46.5	51.7 / 50.9	56.3 / 55.4	47.7 / 46.4	51.5 / 50.7	56.1 / 55.2	47.9 / 46.3	52.0 / 50.6	55.9 / 55.1
		60	75.00	Total Capacity (Btu/h)	328,000	350,000	372,000	328,000	352,000	374,000	328,000	352,000	376,000
				Sensible Capacity (Btu/h)	224,000	188,000	150,000	260,000	230,000	194,000	298,000	266,000	236,000
				Electric Power (Watts)	18,056	18,286	18,532	18,062	18,306	18,560	18,074	18,314	18,580
				Leaving Air Temperature (F db/F wb)	48.0 / 47.2	52.4 / 51.6	57.0 / 56.1	48.5 / 47.1	52.3 / 51.5	56.8 / 55.9	48.7 / 47.0	52.8 / 51.4	56.7 / 55.8
		75	75.00	Total Capacity (Btu/h)	308,000	328,000	350,000	308,000	330,000	352,000	310,000	330,000	354,000
				Sensible Capacity (Btu/h)	214,000	178,000	142,000	250,000	220,000	184,000	288,000	256,000	226,000
				Electric Power (Watts)	20,340	20,556	20,788	20,368	20,576	20,816	20,384	20,588	20,842
				Leaving Air Temperature (F db/F wb)	49.1 / 48.3	53.5 / 52.7	58.0 / 57.1	49.8 / 48.2	53.3 / 52.5	57.8 / 57.0	49.9 / 48.1	53.9 / 52.4	57.8 / 56.8
	85	75.00	Total Capacity (Btu/h)	294,000	314,000	334,000	294,000	316,000	336,000	296,000	316,000	338,000	
			Sensible Capacity (Btu/h)	206,000	172,000	136,000	242,000	214,000	178,000	282,000	250,000	220,000	
			Electric Power (Watts)	22,162	22,354	22,570	22,178	22,372	22,600	22,204	22,406	22,622	
			Leaving Air Temperature (F db/F wb)	49.9 / 49.1	54.2 / 53.4	58.7 / 57.8	50.5 / 49.0	54.1 / 53.3	58.5 / 57.7	50.8 / 48.8	54.8 / 53.2	58.4 / 57.6	
	8,750	50	75.00	Total Capacity (Btu/h)	352,000	376,000	400,000	352,000	378,000	400,000	354,000	378,000	405,000
				Sensible Capacity (Btu/h)	248,000	206,000	164,000	288,000	254,000	212,000	334,000	296,000	262,000
				Electric Power (Watts)	16,898	17,146	17,410	16,902	17,166	17,440	16,924	17,174	17,462
				Leaving Air Temperature (F db/F wb)	49.3 / 48.6	53.7 / 53.0	58.2 / 57.5	50.0 / 48.5	53.6 / 52.9	58.1 / 57.3	50.2 / 48.4	54.3 / 52.8	58.0 / 57.2
60		75.00	Total Capacity (Btu/h)	340,000	362,000	384,000	340,000	362,000	386,000	342,000	362,000	388,000	
			Sensible Capacity (Btu/h)	242,000	200,000	158,000	282,000	248,000	208,000	326,000	290,000	256,000	
			Electric Power (Watts)	18,172	18,412	18,664	18,178	18,432	18,696	18,202	18,440	18,720	
			Leaving Air Temperature (F db/F wb)	49.9 / 49.2	54.3 / 53.6	58.8 / 58.1	50.6 / 49.2	54.2 / 53.5	58.7 / 57.9	50.9 / 49.0	54.9 / 53.4	58.6 / 57.8	
75		75.00	Total Capacity (Btu/h)	318,000	340,000	360,000	318,000	340,000	362,000	322,000	340,000	364,000	
			Sensible Capacity (Btu/h)	228,000	192,000	148,000	272,000	234,000	198,000	316,000	280,000	246,000	
			Electric Power (Watts)	20,442	20,666	20,904	20,470	20,686	20,936	20,500	20,708	20,972	
			Leaving Air Temperature (F db/F wb)	51.4 / 50.2	55.2 / 54.5	59.7 / 59.0	51.8 / 50.1	55.7 / 54.4	59.6 / 58.8	52.1 / 49.9	56.0 / 54.3	59.6 / 58.7	
85	75.00	Total Capacity (Btu/h)	302,000	324,000	344,000	304,000	324,000	346,000	308,000	326,000	346,000		
		Sensible Capacity (Btu/h)	220,000	184,000	142,000	264,000	228,000	192,000	308,000	274,000	240,000		
		Electric Power (Watts)	22,244	22,452	22,678	22,276	22,478	22,712	22,308	22,488	22,740		
		Leaving Air Temperature (F db/F wb)	52.1 / 50.9	55.9 / 55.2	60.4 / 59.6	52.5 / 50.8	56.4 / 55.1	60.2 / 59.4	52.9 / 50.5	56.6 / 55.0	60.2 / 59.3		
10,000	50	75.00	Total Capacity (Btu/h)	362,000	386,000	410,000	362,000	386,000	410,000	366,000	388,000	410,000	
			Sensible Capacity (Btu/h)	258,000	218,000	170,000	310,000	266,000	226,000	360,000	318,000	274,000	
			Electric Power (Watts)	16,998	17,254	17,522	17,008	17,274	17,552	17,044	17,288	17,580	
			Leaving Air Temperature (F db/F wb)	51.5 / 50.3	55.3 / 54.6	59.7 / 59.1	51.8 / 50.2	55.8 / 54.5	59.6 / 58.9	52.2 / 50.0	56.1 / 54.4	60.2 / 58.8	
	60	75.00	Total Capacity (Btu/h)	348,000	370,000	394,000	348,000	372,000	396,000	352,000	372,000	396,000	
			Sensible Capacity (Btu/h)	252,000	212,000	164,000	304,000	260,000	220,000	352,000	312,000	270,000	
			Electric Power (Watts)	18,264	18,512	18,770	18,276	18,534	18,802	18,326	18,548	18,814	
			Leaving Air Temperature (F db/F wb)	52.1 / 50.8	55.8 / 55.2	60.3 / 59.6	52.4 / 50.8	56.4 / 55.1	60.2 / 59.4	52.9 / 50.5	56.7 / 55.0	60.7 / 59.4	
	75	75.00	Total Capacity (Btu/h)	326,000	348,000	368,000	326,000	348,000	370,000	334,000	350,000	372,000	
			Sensible Capacity (Btu/h)	242,000	202,000	154,000	292,000	250,000	212,000	334,000	302,000	258,000	
			Electric Power (Watts)	20,520	20,754	20,998	20,556	20,776	21,032	20,630	20,808	21,060	
			Leaving Air Temperature (F db/F wb)	53.0 / 51.7	56.7 / 56.0	61.1 / 60.4	53.3 / 51.6	57.3 / 55.9	60.9 / 60.3	54.5 / 51.3	57.6 / 55.8	61.7 / 60.2	
85	75.00	Total Capacity (Btu/h)	310,000	330,000	352,000	312,000	332,000	354,000	322,000	332,000	354,000		
		Sensible Capacity (Btu/h)	236,000	196,000	148,000	286,000	244,000	206,000	322,000	296,000	254,000		
		Electric Power (Watts)	22,318	22,534	22,762	22,330	22,560	22,800	22,450	22,578	22,810		
		Leaving Air Temperature (F db/F wb)	53.6 / 52.3	57.2 / 56.6	61.6 / 60.9	53.9 / 52.2	57.9 / 56.5	61.5 / 60.8	55.7 / 51.7	58.2 / 56.4	62.1 / 60.7		

UNIT DATA- PRRW 300

RECIRCULATING AIR HEATING	AIRFLOW (CFM)	EWT (°F)	WATER FLOW (GPM)	ENTERING AIR TEMPERATURE (°F)			
				50	60	70	
	7,500	40	75.00	Total Capacity (Btu/h)	294,000	288,000	284,000
				Electric Power (Watts)	18,914	20,554	22,384
				Leaving Air Temperature (°F)	86.2	95.4	104.8
		50	75.00	Total Capacity (Btu/h)	330,000	324,000	318,000
				Electric Power (Watts)	19,986	21,686	23,572
				Leaving Air Temperature (°F)	90.6	99.9	109.2
		60	75.00	Total Capacity (Btu/h)	370,000	362,000	356,000
				Electric Power (Watts)	21,170	22,978	24,904
				Leaving Air Temperature (°F)	95.5	104.6	113.9
	70	75.00	Total Capacity (Btu/h)	410,000	405,000	396,000	
			Electric Power (Watts)	22,326	24,160	26,176	
			Leaving Air Temperature (°F)	100.8	109.7	118.8	
	8,750	40	75.00	Total Capacity (Btu/h)	296,000	290,000	284,000
				Electric Power (Watts)	18,286	19,870	21,652
				Leaving Air Temperature (°F)	81.2	90.6	100.1
		50	75.00	Total Capacity (Btu/h)	334,000	326,000	322,000
				Electric Power (Watts)	19,234	20,874	22,706
				Leaving Air Temperature (°F)	85.2	94.5	103.9
		60	75.00	Total Capacity (Btu/h)	374,000	366,000	360,000
				Electric Power (Watts)	20,274	22,012	23,892
				Leaving Air Temperature (°F)	89.5	98.7	107.9
	70	75.00	Total Capacity (Btu/h)	420,000	410,000	400,000	
			Electric Power (Watts)	21,332	23,042	24,992	
			Leaving Air Temperature (°F)	94	103.2	112.3	
10,000	40	75.00	Total Capacity (Btu/h)	298,000	292,000	286,000	
			Electric Power (Watts)	17,828	19,370	21,118	
			Leaving Air Temperature (°F)	77.5	86.9	96.4	
	50	75.00	Total Capacity (Btu/h)	336,000	330,000	324,000	
			Electric Power (Watts)	18,690	20,284	22,072	
			Leaving Air Temperature (°F)	81	90.4	99.8	
	60	75.00	Total Capacity (Btu/h)	378,000	370,000	362,000	
			Electric Power (Watts)	19,634	21,310	23,152	
			Leaving Air Temperature (°F)	84.8	94.1	103.5	
70	75.00	Total Capacity (Btu/h)	420,000	415,000	405,000		
		Electric Power (Watts)	20,628	22,230	24,126		
		Leaving Air Temperature (°F)	88.9	98.1	107.3		

UNIT DATA- PROW 360

	AIRFLOW (CFM)	EWT (°F)	WATER FLOW (GPM)		ENTERING AIR TEMPERATURE (°F)								
					90 DB			95 DB			100 DB		
					76 WB	78 WB	80 WB	76 WB	78 WB	80 WB	76 WB	78 WB	80 WB
100% OUTSIDE AIR COOLING	3,750	50	90.00	Total Capacity (Btu/h)	330,000	342,000	352,000	332,000	342,000	354,000	332,000	344,000	356,000
				Sensible Capacity (Btu/h)	162,000	152,000	142,000	184,000	174,000	164,000	204,000	194,000	186,000
				Electric Power (Watts)	15,876	15,824	15,764	15,936	15,818	15,760	15,936	15,878	15,814
				Leaving Air Temperature (F db/F wb)	51.1 / 49.3	53.5 / 51.7	56.0 / 54.1	51.0 / 49.0	53.3 / 51.5	55.8 / 53.9	50.8 / 48.9	53.3 / 51.2	55.8 / 53.6
		60	90.00	Total Capacity (Btu/h)	320,000	330,000	342,000	320,000	332,000	342,000	322,000	332,000	344,000
				Sensible Capacity (Btu/h)	158,000	148,000	138,000	178,000	170,000	160,000	200,000	190,000	180,000
				Electric Power (Watts)	17,774	17,758	17,738	17,838	17,756	17,736	17,838	17,820	17,796
				Leaving Air Temperature (F db/F wb)	52.2 / 50.4	54.7 / 52.8	57.1 / 55.3	52.2 / 50.2	54.4 / 52.6	56.9 / 55.0	52.1 / 50.0	54.5 / 52.4	57 / 54.8
		75	90.00	Total Capacity (Btu/h)	302,000	312,000	324,000	304,000	314,000	324,000	304,000	316,000	326,000
				Sensible Capacity (Btu/h)	150,000	140,000	132,000	170,000	160,000	152,000	192,000	182,000	172,000
				Electric Power (Watts)	20,574	20,598	20,622	20,658	20,676	20,694	20,658	20,682	20,708
				Leaving Air Temperature (F db/F wb)	54.0 / 52.2	56.4 / 54.5	58.8 / 57.0	54.1 / 52.0	56.5 / 54.3	59.0 / 56.7	53.9 / 51.8	56.3 / 54.1	58.8 / 56.5
85	90.00	Total Capacity (Btu/h)	290,000	300,000	310,000	292,000	302,000	312,000	292,000	302,000	314,000		
		Sensible Capacity (Btu/h)	144,000	136,000	126,000	166,000	156,000	146,000	186,000	178,000	168,000		
		Electric Power (Watts)	22,628	22,564	22,606	22,634	22,672	22,704	22,628	22,674	22,714		
		Leaving Air Temperature (F db/F wb)	55.6 / 53.4	57.5 / 55.8	60.0 / 58.1	55.4 / 53.2	57.8 / 55.5	60.2 / 57.9	55.1 / 53.0	57.5 / 55.3	60.0 / 57.7		
4,800	50	90.00	Total Capacity (Btu/h)	360,000	370,000	382,000	360,000	372,000	384,000	362,000	374,000	386,000	
			Sensible Capacity (Btu/h)	182,000	168,000	156,000	208,000	196,000	184,000	236,000	224,000	212,000	
			Electric Power (Watts)	15,782	15,720	15,652	15,788	15,720	15,652	15,778	15,690	15,622	
			Leaving Air Temperature (F db/F wb)	56.0 / 54.3	58.5 / 56.7	61.0 / 59.1	55.9 / 54.1	58.3 / 56.5	60.8 / 58.9	55.7 / 54.0	58.0 / 56.4	60.4 / 58.8	
	60	90.00	Total Capacity (Btu/h)	346,000	358,000	370,000	348,000	360,000	372,000	348,000	360,000	372,000	
			Sensible Capacity (Btu/h)	176,000	164,000	152,000	204,000	192,000	178,000	228,000	220,000	208,000	
			Electric Power (Watts)	17,778	17,752	17,722	17,754	17,758	17,726	17,776	17,728	17,700	
			Leaving Air Temperature (F db/F wb)	57.0 / 55.3	59.5 / 57.7	61.9 / 60.0	56.7 / 55.1	59.3 / 57.4	61.7 / 59.8	57.2 / 55.0	58.9 / 57.3	61.3 / 59.7	
	75	90.00	Total Capacity (Btu/h)	328,000	338,000	348,000	328,000	340,000	350,000	328,000	340,000	352,000	
			Sensible Capacity (Btu/h)	168,000	156,000	144,000	196,000	184,000	170,000	220,000	210,000	200,000	
			Electric Power (Watts)	20,694	20,708	20,722	20,664	20,686	20,736	20,692	20,716	20,706	
			Leaving Air Temperature (F db/F wb)	58.6 / 56.7	60.9 / 59.1	63.3 / 61.4	58.2 / 56.6	60.5 / 58.9	63.2 / 61.2	58.8 / 56.4	60.6 / 58.7	62.7 / 61.1	
85	90.00	Total Capacity (Btu/h)	314,000	324,000	334,000	314,000	326,000	336,000	316,000	326,000	338,000		
		Sensible Capacity (Btu/h)	162,000	150,000	138,000	192,000	180,000	166,000	214,000	206,000	194,000		
		Electric Power (Watts)	22,706	22,736	22,770	22,662	22,704	22,746	22,700	22,748	22,780		
		Leaving Air Temperature (F db/F wb)	59.6 / 57.7	62.0 / 60.0	64.3 / 62.4	59.2 / 57.6	61.5 / 59.9	63.9 / 62.2	59.8 / 57.4	61.6 / 59.7	63.9 / 62		
6,000	50	90.00	Total Capacity (Btu/h)	382,000	394,000	405,000	384,000	396,000	410,000	384,000	396,000	410,000	
			Sensible Capacity (Btu/h)	202,000	186,000	172,000	236,000	222,000	206,000	264,000	250,000	240,000	
			Electric Power (Watts)	15,656	15,586	15,518	15,654	15,582	15,508	15,656	15,584	15,506	
			Leaving Air Temperature (F db/F wb)	59.7 / 58.3	62.1 / 60.6	64.5 / 63.0	59.6 / 58.1	61.9 / 60.4	64.3 / 62.8	60.4 / 58.0	62.6 / 60.3	64.2 / 62.6	
	60	90.00	Total Capacity (Btu/h)	368,000	380,000	392,000	370,000	382,000	394,000	370,000	382,000	394,000	
			Sensible Capacity (Btu/h)	196,000	182,000	166,000	226,000	216,000	200,000	258,000	244,000	234,000	
			Electric Power (Watts)	17,724	17,692	17,658	17,726	17,694	17,660	17,732	17,698	17,662	
			Leaving Air Temperature (F db/F wb)	60.5 / 59.0	62.9 / 61.4	65.3 / 63.7	61.0 / 58.9	62.7 / 61.2	65.1 / 63.5	61.3 / 58.8	63.4 / 61.1	65.0 / 63.4	
	75	90.00	Total Capacity (Btu/h)	346,000	358,000	368,000	348,000	360,000	370,000	348,000	360,000	372,000	
			Sensible Capacity (Btu/h)	188,000	174,000	158,000	218,000	208,000	192,000	250,000	236,000	224,000	
			Electric Power (Watts)	20,718	20,732	20,744	20,726	20,742	20,754	20,706	20,722	20,736	
			Leaving Air Temperature (F db/F wb)	61.7 / 60.2	64.1 / 62.5	66.4 / 64.8	62.3 / 60.1	63.9 / 62.3	66.3 / 64.7	62.5 / 60.0	64.6 / 62.3	66.7 / 64.6	
85	90.00	Total Capacity (Btu/h)	332,000	342,000	352,000	332,000	342,000	354,000	334,000	346,000	354,000		
		Sensible Capacity (Btu/h)	184,000	168,000	152,000	212,000	204,000	188,000	246,000	232,000	218,000		
		Electric Power (Watts)	22,756	22,790	22,822	22,734	22,772	22,838	22,744	22,774	22,816		
		Leaving Air Temperature (F db/F wb)	62.6 / 61.0	64.9 / 63.3	67.3 / 65.6	63.1 / 60.9	64.6 / 63.2	67.1 / 65.5	63.1 / 60.7	65.2 / 63.0	67.5 / 65.4		

UNIT DATA- PROW 360

	AIRFLOW (CFM)	EWT (°F)	WATER FLOW (GPM)		ENTERING AIR TEMPERATURE (°F)		
					20	30	40
100% OUTSIDE AIR HEATING	3,750	40	90.00	Total Capacity (Btu/h)	300,000	294,000	288,000
				Electric Power (Watts)	20,512	21,962	23,546
				Leaving Air Temperature (°F)	93.7	102.3	110.8
		50	90.00	Total Capacity (Btu/h)	334,000	328,000	324,000
				Electric Power (Watts)	22,178	23,760	25,496
				Leaving Air Temperature (°F)	102.4	110.8	119.8
		60	90.00	Total Capacity (Btu/h)	372,000	366,000	360,000
				Electric Power (Watts)	24,076	25,788	27,632
				Leaving Air Temperature (°F)	111.6	120	128.8
		70	90.00	Total Capacity (Btu/h)	410,000	405,000	398,000
				Electric Power (Watts)	26,190	27,958	29,746
				Leaving Air Temperature (°F)	121	129.3	137.8
	4,800	40	90.00	Total Capacity (Btu/h)	308,000	302,000	296,000
				Electric Power (Watts)	18,674	20,068	21,528
				Leaving Air Temperature (°F)	79.3	88	96.9
		50	90.00	Total Capacity (Btu/h)	346,000	338,000	332,000
				Electric Power (Watts)	19,938	21,406	22,982
				Leaving Air Temperature (°F)	86.5	95	103.9
		60	90.00	Total Capacity (Btu/h)	386,000	376,000	372,000
				Electric Power (Watts)	21,382	22,966	24,652
				Leaving Air Temperature (°F)	94.1	102.5	111.4
		70	90.00	Total Capacity (Btu/h)	425,000	415,000	410,000
				Electric Power (Watts)	23,010	24,686	26,462
				Leaving Air Temperature (°F)	102	110.2	119
6,000	40	90.00	Total Capacity (Btu/h)	314,000	308,000	302,000	
			Electric Power (Watts)	17,330	18,722	20,148	
			Leaving Air Temperature (°F)	68.4	77.4	86.4	
	50	90.00	Total Capacity (Btu/h)	352,000	346,000	338,000	
			Electric Power (Watts)	18,280	19,770	21,296	
			Leaving Air Temperature (°F)	74.2	83.2	92.1	
	60	90.00	Total Capacity (Btu/h)	396,000	386,000	380,000	
			Electric Power (Watts)	19,406	20,974	22,596	
			Leaving Air Temperature (°F)	80.8	89.4	98.3	
	70	90.00	Total Capacity (Btu/h)	440,000	430,000	420,000	
			Electric Power (Watts)	20,674	22,320	24,020	
			Leaving Air Temperature (°F)	87.4	96	104.7	

UNIT DATA- PRRW 360

	AIRFLOW (CFM)	EWT (°F)	WATER FLOW (GPM)		ENTERING AIR TEMPERATURE (°F)								
					75 DB			80 DB			85 DB		
					63 WB	67 WB	71 WB	63 WB	67 WB	71 WB	63 WB	67 WB	71 WB
RECIRCULATING AIR COOLING	9,000	50	90.00	Total Capacity (Btu/h)	388,000	415,000	440,000	390,000	415,000	445,000	390,000	415,000	445,000
				Sensible Capacity (Btu/h)	266,000	222,000	178,000	308,000	274,000	230,000	354,000	314,000	280,000
				Electric Power (Watts)	19,070	19,348	19,638	19,100	19,364	19,668	19,120	19,400	19,690
				Leaving Air Temperature (F db/F wb)	48.1 / 47.4	52.6 / 51.8	57.2 / 56.3	48.9 / 47.3	52.5 / 51.7	57.0 / 56.2	49.1 / 47.2	53.2 / 51.6	56.9 / 56.1
		60	90.00	Total Capacity (Btu/h)	374,000	398,000	425,000	374,000	400,000	425,000	376,000	400,000	430,000
				Sensible Capacity (Btu/h)	260,000	216,000	172,000	300,000	268,000	224,000	346,000	308,000	272,000
				Electric Power (Watts)	20,494	20,760	21,042	20,526	20,776	21,072	20,546	20,796	21,114
				Leaving Air Temperature (F db/F wb)	48.8 / 48.1	53.3 / 52.5	57.8 / 57.0	49.6 / 48.0	53.1 / 52.4	57.6 / 56.8	49.9 / 47.9	53.9 / 52.2	57.7 / 56.7
		75	90.00	Total Capacity (Btu/h)	350,000	374,000	398,000	352,000	376,000	400,000	354,000	376,000	400,000
				Sensible Capacity (Btu/h)	248,000	206,000	162,000	288,000	256,000	214,000	336,000	298,000	262,000
				Electric Power (Watts)	23,040	23,286	23,552	23,082	23,306	23,580	23,102	23,324	23,626
				Leaving Air Temperature (F db/F wb)	49.9 / 49.2	54.3 / 53.5	58.8 / 57.9	50.8 / 49.1	54.1 / 53.4	58.6 / 57.8	51.0 / 48.9	55.0 / 53.3	58.7 / 57.7
	85	90.00	Total Capacity (Btu/h)	334,000	358,000	380,000	336,000	358,000	382,000	338,000	360,000	384,000	
			Sensible Capacity (Btu/h)	236,000	200,000	156,000	282,000	250,000	206,000	328,000	290,000	258,000	
			Electric Power (Watts)	25,060	25,292	25,534	25,104	25,314	25,572	25,132	25,328	25,598	
			Leaving Air Temperature (F db/F wb)	51.1 / 49.9	55.0 / 54.2	59.5 / 58.6	51.5 / 49.8	54.9 / 54.1	59.3 / 58.5	51.8 / 49.6	55.7 / 54.0	59.2 / 58.4	
	10,500	50	90.00	Total Capacity (Btu/h)	400,000	430,000	455,000	400,000	430,000	455,000	405,000	430,000	455,000
				Sensible Capacity (Btu/h)	282,000	238,000	186,000	334,000	288,000	246,000	386,000	344,000	298,000
				Electric Power (Watts)	19,202	19,492	19,790	19,222	19,530	19,822	19,270	19,526	19,848
				Leaving Air Temperature (F db/F wb)	50.7 / 49.5	54.5 / 53.8	59.0 / 58.3	51.0 / 49.4	55.1 / 53.7	58.8 / 58.2	51.4 / 49.2	55.3 / 53.6	59.4 / 58
60		90.00	Total Capacity (Btu/h)	386,000	410,000	435,000	386,000	415,000	440,000	390,000	415,000	440,000	
			Sensible Capacity (Btu/h)	274,000	232,000	180,000	326,000	282,000	240,000	380,000	336,000	290,000	
			Electric Power (Watts)	20,616	20,896	21,184	20,636	20,936	21,216	20,692	20,930	21,258	
			Leaving Air Temperature (F db/F wb)	51.3 / 50.0	55.1 / 54.4	59.6 / 58.8	51.6 / 49.9	55.7 / 54.3	59.4 / 58.7	52.1 / 49.8	55.9 / 54.2	60.1 / 58.6	
75		90.00	Total Capacity (Btu/h)	362,000	386,000	410,000	362,000	386,000	410,000	366,000	388,000	415,000	
			Sensible Capacity (Btu/h)	262,000	220,000	170,000	314,000	272,000	230,000	366,000	326,000	280,000	
			Electric Power (Watts)	23,150	23,408	23,676	23,200	23,428	23,712	23,222	23,450	23,732	
			Leaving Air Temperature (F db/F wb)	52.3 / 51.0	56.0 / 55.3	60.4 / 59.7	52.7 / 50.9	56.5 / 55.2	60.3 / 59.6	53.2 / 50.6	56.9 / 55.1	60.9 / 59.5	
85	90.00	Total Capacity (Btu/h)	344,000	368,000	390,000	346,000	368,000	392,000	352,000	370,000	394,000		
		Sensible Capacity (Btu/h)	254,000	214,000	164,000	308,000	264,000	222,000	352,000	316,000	272,000		
		Electric Power (Watts)	25,164	25,402	25,654	25,186	25,430	25,694	25,254	25,472	25,728		
		Leaving Air Temperature (F db/F wb)	53.0 / 51.6	56.6 / 55.9	61.0 / 60.3	53.3 / 51.5	57.2 / 55.8	60.9 / 60.1	54.4 / 51.2	57.7 / 55.7	61.6 / 60.0		
12,000	50	90.00	Total Capacity (Btu/h)	410,000	440,000	465,000	415,000	440,000	465,000	415,000	440,000	470,000	
			Sensible Capacity (Btu/h)	298,000	252,000	194,000	358,000	308,000	262,000	415,000	370,000	318,000	
			Electric Power (Watts)	19,330	19,606	19,910	19,354	19,646	19,942	19,392	19,648	19,976	
			Leaving Air Temperature (F db/F wb)	52.4 / 51.0	56.0 / 55.4	60.4 / 59.8	52.8 / 50.9	56.8 / 55.3	60.3 / 59.7	53.3 / 50.7	57.0 / 55.2	61.1 / 59.6	
	60	90.00	Total Capacity (Btu/h)	396,000	420,000	445,000	396,000	420,000	450,000	405,000	425,000	450,000	
			Sensible Capacity (Btu/h)	290,000	246,000	188,000	352,000	300,000	256,000	405,000	362,000	310,000	
			Electric Power (Watts)	20,736	21,004	21,296	20,744	21,040	21,330	20,830	21,044	21,352	
			Leaving Air Temperature (F db/F wb)	53.0 / 51.6	56.5 / 55.9	60.9 / 60.3	53.2 / 51.5	57.3 / 55.8	60.8 / 60.2	54.3 / 51.2	57.5 / 55.7	61.6 / 60.0	
	75	90.00	Total Capacity (Btu/h)	370,000	394,000	420,000	370,000	394,000	420,000	382,000	396,000	420,000	
			Sensible Capacity (Btu/h)	280,000	236,000	178,000	340,000	290,000	246,000	382,000	352,000	300,000	
			Electric Power (Watts)	23,236	23,502	23,776	23,266	23,524	23,816	23,394	23,546	23,842	
			Leaving Air Temperature (F db/F wb)	53.7 / 52.4	57.3 / 56.7	61.7 / 61	54.1 / 52.3	58.0 / 56.6	61.6 / 60.9	55.9 / 51.8	58.4 / 56.5	62.4 / 60.8	
85	90.00	Total Capacity (Btu/h)	352,000	376,000	398,000	354,000	376,000	400,000	368,000	378,000	400,000		
		Sensible Capacity (Btu/h)	272,000	228,000	170,000	332,000	282,000	238,000	368,000	342,000	294,000		
		Electric Power (Watts)	25,246	25,492	25,744	25,298	25,522	25,792	25,424	25,560	25,802		
		Leaving Air Temperature (F db/F wb)	54.4 / 52.9	57.9 / 57.2	62.2 / 61.6	54.9 / 52.8	58.7 / 57.1	62.1 / 61.4	57.0 / 52.3	59.1 / 57.0	62.9 / 61.3		

UNIT DATA- PRRW 360

	AIRFLOW (CFM)	EWT (°F)	WATER FLOW (GPM)		ENTERING AIR TEMPERATURE (°F)		
					50	60	70
RECIRCULATING AIR HEATING	9,000	40	90.00	Total Capacity (Btu/h)	330,000	324,000	318,000
				Electric Power (Watts)	21,476	23,314	25,396
				Leaving Air Temperature (°F)	83.8	93.2	102.7
		50	90.00	Total Capacity (Btu/h)	372,000	364,000	358,000
				Electric Power (Watts)	22,676	24,576	26,696
				Leaving Air Temperature (°F)	88.1	97.4	106.7
		60	90.00	Total Capacity (Btu/h)	415,000	410,000	400,000
				Electric Power (Watts)	23,818	25,760	27,974
				Leaving Air Temperature (°F)	92.7	101.8	111
	70	90.00	Total Capacity (Btu/h)	465,000	455,000	445,000	
			Electric Power (Watts)	25,178	27,094	29,304	
			Leaving Air Temperature (°F)	97.7	106.7	115.7	
	10,500	40	90.00	Total Capacity (Btu/h)	332,000	326,000	320,000
				Electric Power (Watts)	20,816	22,600	24,606
				Leaving Air Temperature (°F)	79.2	88.6	98.1
		50	90.00	Total Capacity (Btu/h)	374,000	368,000	360,000
				Electric Power (Watts)	21,876	23,728	25,790
				Leaving Air Temperature (°F)	83	92.3	101.7
		60	90.00	Total Capacity (Btu/h)	420,000	410,000	405,000
				Electric Power (Watts)	22,948	24,754	26,902
				Leaving Air Temperature (°F)	87.1	96.2	105.5
	70	90.00	Total Capacity (Btu/h)	470,000	460,000	450,000	
			Electric Power (Watts)	24,158	25,994	28,068	
			Leaving Air Temperature (°F)	91.4	100.5	109.6	
12,000	40	90.00	Total Capacity (Btu/h)	334,000	328,000	322,000	
			Electric Power (Watts)	20,332	22,078	24,046	
			Leaving Air Temperature (°F)	75.7	85.2	94.7	
	50	90.00	Total Capacity (Btu/h)	378,000	370,000	364,000	
			Electric Power (Watts)	21,310	23,106	25,124	
			Leaving Air Temperature (°F)	79.1	88.5	97.9	
	60	90.00	Total Capacity (Btu/h)	425,000	415,000	405,000	
			Electric Power (Watts)	22,316	24,054	26,114	
			Leaving Air Temperature (°F)	82.7	92	101.3	
70	90.00	Total Capacity (Btu/h)	475,000	465,000	455,000		
		Electric Power (Watts)	23,418	25,198	27,178		
		Leaving Air Temperature (°F)	86.6	95.8	105		

UNIT DATA- PROW 420

	AIRFLOW (CFM)	EWT (°F)	WATER FLOW (GPM)		ENTERING AIR TEMPERATURE (°F)								
					90 DB			95 DB			100 DB		
					76 WB	78 WB	80 WB	76 WB	78 WB	80 WB	76 WB	78 WB	80 WB
100% OUTSIDE AIR COOLING	4,375	50	105.00	Total Capacity (Btu/h)	396,000	410,000	425,000	398,000	410,000	425,000	398,000	415,000	425,000
				Sensible Capacity (Btu/h)	194,000	182,000	170,000	220,000	208,000	196,000	244,000	232,000	222,000
				Electric Power (Watts)	24,308	24,510	24,728	24,338	24,546	24,772	24,362	24,576	24,804
				Leaving Air Temperature (F db/F wb)	50.2 / 48.3	52.7 / 50.7	55.3 / 53.1	49.9 / 48.0	52.4 / 50.4	55.0 / 52.9	49.7 / 47.8	52.2 / 50.2	54.7 / 52.6
		60	105.00	Total Capacity (Btu/h)	384,000	396,000	410,000	386,000	398,000	410,000	386,000	400,000	415,000
				Sensible Capacity (Btu/h)	188,000	176,000	164,000	214,000	202,000	190,000	238,000	228,000	216,000
				Electric Power (Watts)	25,732	25,920	26,122	25,760	25,956	26,164	25,782	25,984	26,198
				Leaving Air Temperature (F db/F wb)	51.3 / 49.4	53.9 / 51.8	56.4 / 54.2	51.1 / 49.1	53.6 / 51.5	56.1 / 53.9	50.9 / 48.9	53.3 / 51.3	55.8 / 53.7
		75	105.00	Total Capacity (Btu/h)	364,000	376,000	390,000	366,000	378,000	392,000	368,000	380,000	394,000
				Sensible Capacity (Btu/h)	180,000	168,000	156,000	204,000	194,000	182,000	230,000	218,000	206,000
				Electric Power (Watts)	28,358	28,526	28,706	28,382	28,562	28,750	28,400	28,584	28,780
				Leaving Air Temperature (F db/F wb)	53.2 / 51.1	55.7 / 53.5	58.2 / 56.0	53.0 / 50.9	55.4 / 53.2	57.9 / 55.7	52.7 / 50.7	55.2 / 53.0	57.6 / 55.5
85	105.00	Total Capacity (Btu/h)	350,000	362,000	374,000	352,000	364,000	376,000	354,000	366,000	378,000		
		Sensible Capacity (Btu/h)	172,000	162,000	150,000	198,000	186,000	176,000	224,000	212,000	200,000		
		Electric Power (Watts)	30,490	30,646	30,812	30,514	30,680	30,854	30,522	30,700	30,886		
		Leaving Air Temperature (F db/F wb)	54.5 / 52.4	57.0 / 54.7	59.5 / 57.1	54.2 / 52.1	56.7 / 54.5	59.2 / 56.9	54.0 / 51.9	56.4 / 54.2	58.9 / 56.6		
5,600	50	105.00	Total Capacity (Btu/h)	430,000	445,000	460,000	435,000	450,000	460,000	435,000	450,000	465,000	
			Sensible Capacity (Btu/h)	218,000	202,000	188,000	250,000	236,000	220,000	278,000	268,000	252,000	
			Electric Power (Watts)	24,852	25,108	25,360	24,908	25,130	25,382	24,926	25,182	25,428	
			Leaving Air Temperature (F db/F wb)	55.1 / 53.5	57.7 / 55.9	60.2 / 58.3	54.9 / 53.3	57.3 / 55.7	59.8 / 58.1	55.3 / 53.1	57.1 / 55.5	59.5 / 57.9	
	60	105.00	Total Capacity (Btu/h)	415,000	430,000	445,000	420,000	435,000	445,000	420,000	435,000	450,000	
			Sensible Capacity (Btu/h)	212,000	198,000	182,000	244,000	230,000	216,000	272,000	260,000	246,000	
			Electric Power (Watts)	26,218	26,436	26,674	26,278	26,478	26,716	26,290	26,534	26,780	
			Leaving Air Temperature (F db/F wb)	56 / 54.4	58.5 / 56.8	60.9 / 59.2	55.9 / 54.2	58.2 / 56.6	60.7 / 59.0	56.3 / 54.0	58.1 / 56.4	60.6 / 58.8	
	75	105.00	Total Capacity (Btu/h)	394,000	405,000	420,000	398,000	410,000	425,000	398,000	410,000	430,000	
			Sensible Capacity (Btu/h)	202,000	188,000	174,000	234,000	220,000	206,000	262,000	252,000	240,000	
			Electric Power (Watts)	28,756	28,954	29,166	28,832	29,022	29,208	28,836	29,062	29,318	
			Leaving Air Temperature (F db/F wb)	57.5 / 55.9	59.9 / 58.3	62.3 / 60.6	57.4 / 55.7	59.8 / 58.0	62.1 / 60.4	58.0 / 55.5	59.6 / 57.8	61.7 / 60.0	
85	105.00	Total Capacity (Btu/h)	378,000	390,000	405,000	380,000	394,000	405,000	382,000	396,000	410,000		
		Sensible Capacity (Btu/h)	196,000	182,000	168,000	228,000	214,000	198,000	254,000	242,000	234,000		
		Electric Power (Watts)	30,824	31,008	31,206	30,866	31,084	31,282	30,910	31,130	31,362		
		Leaving Air Temperature (F db/F wb)	58.5 / 56.9	60.9 / 59.3	63.3 / 61.6	58.3 / 56.7	60.8 / 59.0	63.2 / 61.4	59.1 / 56.5	61.3 / 58.8	62.7 / 61.0		
7,000	50	105.00	Total Capacity (Btu/h)	460,000	475,000	490,000	460,000	475,000	490,000	465,000	480,000	495,000	
			Sensible Capacity (Btu/h)	242,000	224,000	206,000	278,000	264,000	246,000	312,000	298,000	282,000	
			Electric Power (Watts)	25,362	25,618	25,866	25,386	25,652	25,932	25,430	25,692	25,982	
			Leaving Air Temperature (F db/F wb)	59.0 / 57.5	61.4 / 59.9	63.7 / 62.3	59.3 / 57.4	61.1 / 59.7	63.5 / 62.1	59.8 / 57.2	61.8 / 59.6	64.0 / 61.9	
	60	105.00	Total Capacity (Btu/h)	445,000	460,000	470,000	450,000	460,000	475,000	450,000	465,000	480,000	
			Sensible Capacity (Btu/h)	236,000	218,000	200,000	272,000	258,000	240,000	306,000	294,000	280,000	
			Electric Power (Watts)	26,658	26,900	27,154	26,784	26,956	27,220	26,750	27,052	27,358	
			Leaving Air Temperature (F db/F wb)	59.6 / 58.3	62.0 / 60.7	64.4 / 63.1	60.0 / 58.0	61.9 / 60.5	64.2 / 62.9	60.6 / 58.0	62.4 / 60.2	64.1 / 62.5	
	75	105.00	Total Capacity (Btu/h)	420,000	430,000	445,000	425,000	440,000	450,000	420,000	440,000	455,000	
			Sensible Capacity (Btu/h)	226,000	208,000	190,000	262,000	250,000	234,000	296,000	284,000	268,000	
			Electric Power (Watts)	29,162	29,380	29,608	29,236	29,496	29,716	29,216	29,500	29,758	
			Leaving Air Temperature (F db/F wb)	61.0 / 59.5	63.4 / 61.8	65.7 / 64.2	61.2 / 59.2	63.0 / 61.5	65.2 / 63.9	61.9 / 59.2	63.6 / 61.4	65.7 / 63.7	
85	105.00	Total Capacity (Btu/h)	405,000	415,000	430,000	405,000	420,000	430,000	405,000	420,000	435,000		
		Sensible Capacity (Btu/h)	222,000	204,000	186,000	256,000	244,000	226,000	288,000	274,000	260,000		
		Electric Power (Watts)	31,234	31,444	31,674	31,264	31,488	31,722	31,264	31,546	31,754		
		Leaving Air Temperature (F db/F wb)	61.5 / 60.2	63.8 / 62.5	66.2 / 64.8	62.1 / 60.0	63.7 / 62.3	66.1 / 64.6	62.9 / 60.0	64.7 / 62.2	66.6 / 64.5		

UNIT DATA- PROW 420

100% OUTSIDE AIR HEATING	AIRFLOW (CFM)	EWT (°F)	WATER FLOW (GPM)	ENTERING AIR TEMPERATURE (°F)		
				20	30	40
4,375	40	105.00	Total Capacity (Btu/h)	372,000	366,000	362,000
			Electric Power (Watts)	28,298	30,106	32,088
			Leaving Air Temperature (°F)	98.3	107.2	116.2
	50	105.00	Total Capacity (Btu/h)	415,000	410,000	405,000
			Electric Power (Watts)	30,746	32,674	34,768
			Leaving Air Temperature (°F)	107.8	116.4	125.2
	60	105.00	Total Capacity (Btu/h)	460,000	455,000	450,000
			Electric Power (Watts)	33,556	35,602	37,712
			Leaving Air Temperature (°F)	117.6	126.1	134.7
	70	105.00	Total Capacity (Btu/h)	510,000	505,000	511,000
			Electric Power (Watts)	36,878	38,800	40,312
			Leaving Air Temperature (°F)	128	136.1	147.8
5,600	40	105.00	Total Capacity (Btu/h)	380,000	374,000	368,000
			Electric Power (Watts)	26,038	27,646	29,438
			Leaving Air Temperature (°F)	82.6	91.6	100.7
	50	105.00	Total Capacity (Btu/h)	430,000	420,000	415,000
			Electric Power (Watts)	27,988	29,688	31,590
			Leaving Air Temperature (°F)	90.5	99.2	108.1
	60	105.00	Total Capacity (Btu/h)	480,000	470,000	460,000
			Electric Power (Watts)	30,246	32,052	34,056
			Leaving Air Temperature (°F)	98.7	107.3	116
	70	105.00	Total Capacity (Btu/h)	530,000	520,000	510,000
			Electric Power (Watts)	32,888	34,784	36,874
			Leaving Air Temperature (°F)	107.5	115.6	124.2
7,000	40	105.00	Total Capacity (Btu/h)	388,000	380,000	374,000
			Electric Power (Watts)	24,568	26,022	27,676
			Leaving Air Temperature (°F)	71.1	80.1	89.4
	50	105.00	Total Capacity (Btu/h)	440,000	430,000	420,000
			Electric Power (Watts)	26,188	27,716	29,438
			Leaving Air Temperature (°F)	77.8	86.7	95.6
	60	105.00	Total Capacity (Btu/h)	490,000	480,000	470,000
			Electric Power (Watts)	28,100	29,712	31,510
			Leaving Air Temperature (°F)	84.8	93.4	102.2
	70	105.00	Total Capacity (Btu/h)	545,000	535,000	525,000
			Electric Power (Watts)	30,318	32,018	33,900
			Leaving Air Temperature (°F)	92.1	100.5	109.1

UNIT DATA- PRRW 420

AIRFLOW (CFM)	EWT (°F)	WATER FLOW (GPM)		ENTERING AIR TEMPERATURE (°F)								
				75 DB			80 DB			85 DB		
				63 WB	67 WB	71 WB	63 WB	67 WB	71 WB	63 WB	67 WB	71 WB
10,500	50	105.00	Total Capacity (Btu/h)	450,000	480,000	505,000	450,000	480,000	510,000	450,000	480,000	510,000
			Sensible Capacity (Btu/h)	302,000	258,000	206,000	356,000	316,000	266,000	410,000	364,000	324,000
			Electric Power (Watts)	22,586	22,924	23,274	22,624	22,948	23,316	22,642	22,986	23,344
			Leaving Air Temperature (F db/F wb)	48.8 / 47.6	52.8 / 52.0	57.3 / 56.6	49.2 / 47.5	52.7 / 51.9	57.2 / 56.4	49.5 / 47.4	53.6 / 51.8	57.1 / 56.3
	60	105.00	Total Capacity (Btu/h)	430,000	460,000	490,000	435,000	460,000	490,000	435,000	460,000	495,000
			Sensible Capacity (Btu/h)	294,000	250,000	200,000	348,000	310,000	258,000	400,000	358,000	318,000
			Electric Power (Watts)	24,272	24,598	24,936	24,312	24,618	24,974	24,326	24,632	25,002
			Leaving Air Temperature (F db/F wb)	49.5 / 48.3	53.4 / 52.7	57.9 / 57.2	49.9 / 48.2	53.3 / 52.5	57.8 / 57.0	50.1 / 48.1	54.1 / 52.5	57.7 / 56.9
	75	105.00	Total Capacity (Btu/h)	405,000	435,000	460,000	405,000	435,000	460,000	410,000	435,000	465,000
			Sensible Capacity (Btu/h)	282,000	240,000	188,000	334,000	292,000	248,000	388,000	344,000	300,000
			Electric Power (Watts)	27,290	27,594	27,910	27,338	27,618	27,952	27,370	27,630	27,978
			Leaving Air Temperature (F db/F wb)	50.6 / 49.3	54.4 / 53.6	58.9 / 58.1	51.0 / 49.2	54.9 / 53.5	58.7 / 57.9	51.3 / 49.1	55.2 / 53.4	59.2 / 57.8
85	105.00	Total Capacity (Btu/h)	388,000	415,000	440,000	388,000	415,000	440,000	390,000	415,000	445,000	
		Sensible Capacity (Btu/h)	274,000	232,000	180,000	326,000	282,000	240,000	378,000	336,000	290,000	
		Electric Power (Watts)	29,686	29,972	30,274	29,746	29,998	30,314	29,794	30,014	30,388	
		Leaving Air Temperature (F db/F wb)	51.3 / 50.0	55.1 / 54.3	59.6 / 58.8	51.7 / 49.9	55.6 / 54.2	59.4 / 58.6	52.1 / 49.7	55.9 / 54.1	60.1 / 58.5	
12,250	50	105.00	Total Capacity (Btu/h)	465,000	495,000	525,000	465,000	495,000	525,000	465,000	495,000	525,000
			Sensible Capacity (Btu/h)	324,000	276,000	216,000	386,000	334,000	286,000	445,000	396,000	344,000
			Electric Power (Watts)	22,748	23,098	23,454	22,760	23,120	23,500	22,802	23,130	23,524
			Leaving Air Temperature (F db/F wb)	50.9 / 49.6	54.7 / 54.0	59.2 / 58.5	51.3 / 49.6	55.2 / 53.9	59 / 58.3	51.7 / 49.4	55.6 / 53.8	59.6 / 58.2
	60	105.00	Total Capacity (Btu/h)	445,000	475,000	505,000	445,000	475,000	505,000	450,000	475,000	505,000
			Sensible Capacity (Btu/h)	316,000	268,000	208,000	378,000	326,000	278,000	440,000	388,000	336,000
			Electric Power (Watts)	24,420	24,758	25,108	24,436	24,780	25,148	24,482	24,794	25,172
			Leaving Air Temperature (F db/F wb)	51.5 / 50.2	55.2 / 54.5	59.7 / 59.0	51.9 / 50.1	55.8 / 54.4	59.6 / 58.9	52.3 / 49.9	56.2 / 54.4	60.2 / 58.8
	75	105.00	Total Capacity (Btu/h)	415,000	445,000	470,000	420,000	445,000	475,000	425,000	445,000	475,000
			Sensible Capacity (Btu/h)	304,000	256,000	198,000	366,000	312,000	264,000	425,000	376,000	322,000
			Electric Power (Watts)	27,418	27,734	28,062	27,440	27,802	28,140	27,514	27,780	28,170
			Leaving Air Temperature (F db/F wb)	52.5 / 51.1	56.1 / 55.4	60.5 / 59.8	52.8 / 51.0	56.9 / 55.3	60.6 / 59.7	53.5 / 50.8	57.1 / 55.2	61.3 / 59.6
85	105.00	Total Capacity (Btu/h)	398,000	425,000	450,000	400,000	425,000	455,000	410,000	425,000	455,000	
		Sensible Capacity (Btu/h)	292,000	248,000	190,000	356,000	306,000	260,000	410,000	368,000	316,000	
		Electric Power (Watts)	29,856	30,104	30,412	29,828	30,128	30,460	29,944	30,152	30,500	
		Leaving Air Temperature (F db/F wb)	53.3 / 51.7	56.7 / 56.0	61.1 / 60.4	53.5 / 51.6	57.4 / 55.9	60.9 / 60.3	54.6 / 51.3	57.8 / 55.8	61.8 / 60.2	
14,000	50	105.00	Total Capacity (Btu/h)	475,000	505,000	535,000	475,000	505,000	535,000	480,000	505,000	540,000
			Sensible Capacity (Btu/h)	346,000	290,000	224,000	415,000	358,000	300,000	480,000	425,000	368,000
			Electric Power (Watts)	22,874	23,262	23,594	22,896	23,256	23,672	22,972	23,276	23,668
			Leaving Air Temperature (F db/F wb)	52.6 / 51.2	56.3 / 55.5	60.6 / 60.0	53.0 / 51.1	56.9 / 55.5	60.6 / 59.8	53.7 / 50.9	57.3 / 55.4	61.3 / 59.7
	60	105.00	Total Capacity (Btu/h)	455,000	485,000	515,000	455,000	485,000	515,000	465,000	485,000	520,000
			Sensible Capacity (Btu/h)	336,000	282,000	218,000	405,000	348,000	294,000	465,000	420,000	360,000
			Electric Power (Watts)	24,552	24,914	25,240	24,564	24,916	25,312	24,678	24,930	25,314
			Leaving Air Temperature (F db/F wb)	53.1 / 51.7	56.8 / 56.0	61.0 / 60.4	53.5 / 51.6	57.4 / 55.9	61.1 / 60.3	54.6 / 51.3	57.8 / 55.8	61.8 / 60.2
	75	105.00	Total Capacity (Btu/h)	425,000	455,000	480,000	430,000	455,000	485,000	440,000	455,000	485,000
			Sensible Capacity (Btu/h)	322,000	270,000	206,000	394,000	334,000	282,000	440,000	405,000	348,000
			Electric Power (Watts)	27,568	27,880	28,182	27,554	27,912	28,260	27,724	27,898	28,248
			Leaving Air Temperature (F db/F wb)	54.1 / 52.5	57.5 / 56.8	61.7 / 61.2	54.4 / 52.4	58.4 / 56.7	61.8 / 61.0	56.2 / 52.0	58.6 / 56.6	62.5 / 60.9
85	105.00	Total Capacity (Btu/h)	405,000	435,000	460,000	410,000	435,000	460,000	425,000	435,000	465,000	
		Sensible Capacity (Btu/h)	316,000	264,000	198,000	384,000	328,000	276,000	425,000	396,000	338,000	
		Electric Power (Watts)	29,894	30,208	30,518	29,936	30,244	30,578	30,138	30,280	30,630	
		Leaving Air Temperature (F db/F wb)	54.5 / 53.0	57.9 / 57.3	62.2 / 61.7	55.0 / 52.9	58.8 / 57.2	62.2 / 61.5	57.3 / 52.4	59.3 / 57.1	63.3 / 61.4	

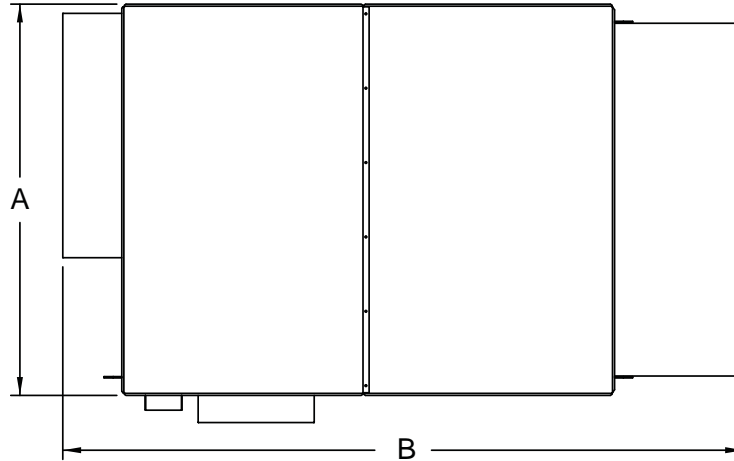
UNIT DATA- PRRW 420

	AIRFLOW (CFM)	EWT (°F)	WATER FLOW (GPM)		ENTERING AIR TEMPERATURE (°F)		
					50	60	70
RECIRCULATING AIR HEATING	10,500	40	105.00	Total Capacity (Btu/h)	380,000	372,000	366,000
				Electric Power (Watts)	25,500	27,726	30,196
				Leaving Air Temperature (°F)	83.4	92.7	102.2
		50	105.00	Total Capacity (Btu/h)	425,000	420,000	410,000
				Electric Power (Watts)	26,770	28,974	31,580
				Leaving Air Temperature (°F)	87.6	96.8	106.2
		60	105.00	Total Capacity (Btu/h)	480,000	470,000	465,000
				Electric Power (Watts)	28,202	30,434	32,976
				Leaving Air Temperature (°F)	92.2	101.4	110.9
	70	105.00	Total Capacity (Btu/h)	535,000	525,000	520,000	
			Electric Power (Watts)	29,814	32,108	34,664	
			Leaving Air Temperature (°F)	97.1	106.2	115.5	
	12,250	40	105.00	Total Capacity (Btu/h)	382,000	374,000	368,000
				Electric Power (Watts)	24,726	26,874	29,282
				Leaving Air Temperature (°F)	78.8	88.2	97.7
		50	105.00	Total Capacity (Btu/h)	430,000	425,000	415,000
				Electric Power (Watts)	25,908	28,004	30,502
				Leaving Air Temperature (°F)	82.5	91.8	101.3
		60	105.00	Total Capacity (Btu/h)	485,000	475,000	470,000
				Electric Power (Watts)	27,186	29,330	31,738
				Leaving Air Temperature (°F)	86.5	95.8	105.3
	70	105.00	Total Capacity (Btu/h)	540,000	530,000	520,000	
			Electric Power (Watts)	28,624	30,820	33,262	
			Leaving Air Temperature (°F)	90.8	100	109.2	
14,000	40	105.00	Total Capacity (Btu/h)	384,000	376,000	370,000	
			Electric Power (Watts)	24,158	26,260	28,624	
			Leaving Air Temperature (°F)	75.3	84.8	94.4	
	50	105.00	Total Capacity (Btu/h)	435,000	425,000	415,000	
			Electric Power (Watts)	25,280	27,320	29,708	
			Leaving Air Temperature (°F)	78.6	88	97.5	
	60	105.00	Total Capacity (Btu/h)	490,000	480,000	470,000	
			Electric Power (Watts)	26,446	28,526	30,866	
			Leaving Air Temperature (°F)	82.2	91.6	101.1	
750	105.00	Total Capacity (Btu/h)	545,000	535,000	525,000		
		Electric Power (Watts)	27,760	29,884	32,256		
		Leaving Air Temperature (°F)	86	95.3	104.6		

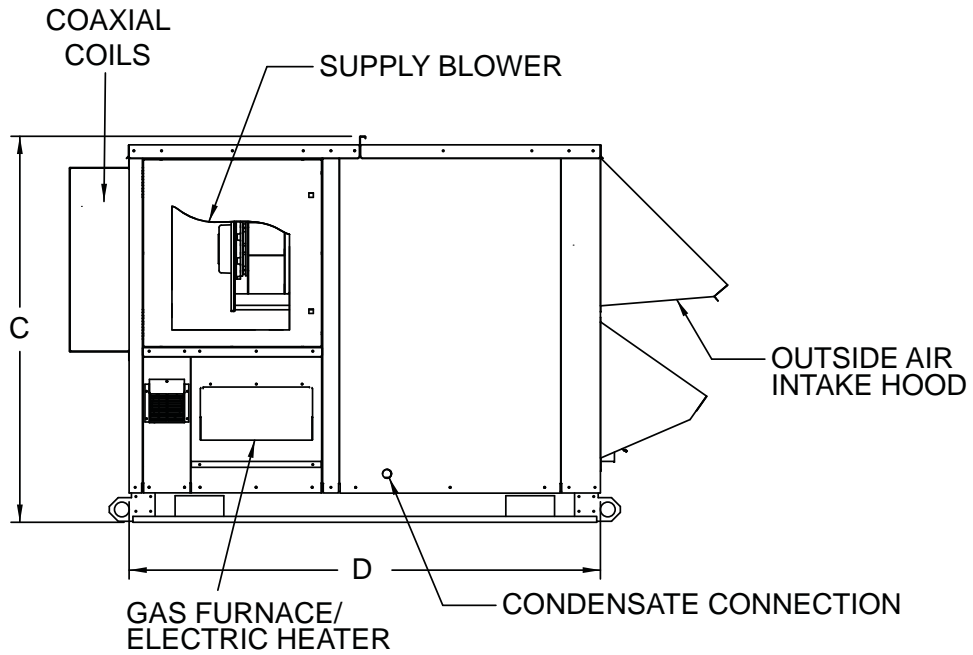
DIMENSIONS - CABINET B

VERTICAL SUPPLY WITH NO HEAT OR STANDARD HEAT WITHOUT WHEEL OR EXHAUST

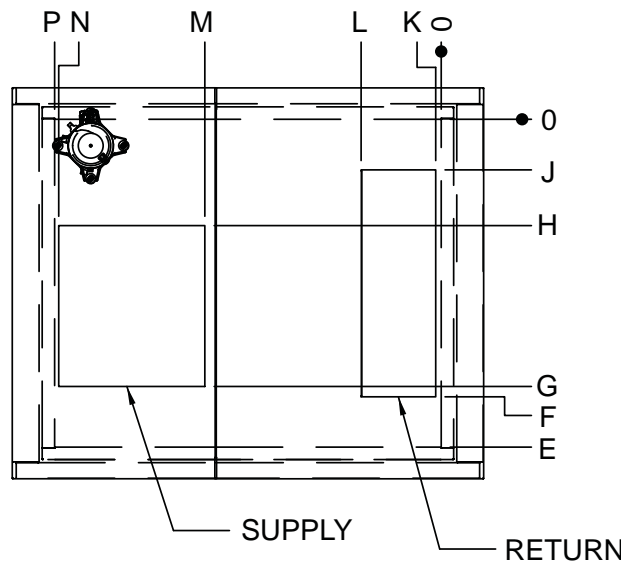
**TOP
VIEW**



**SIDE
VIEW**



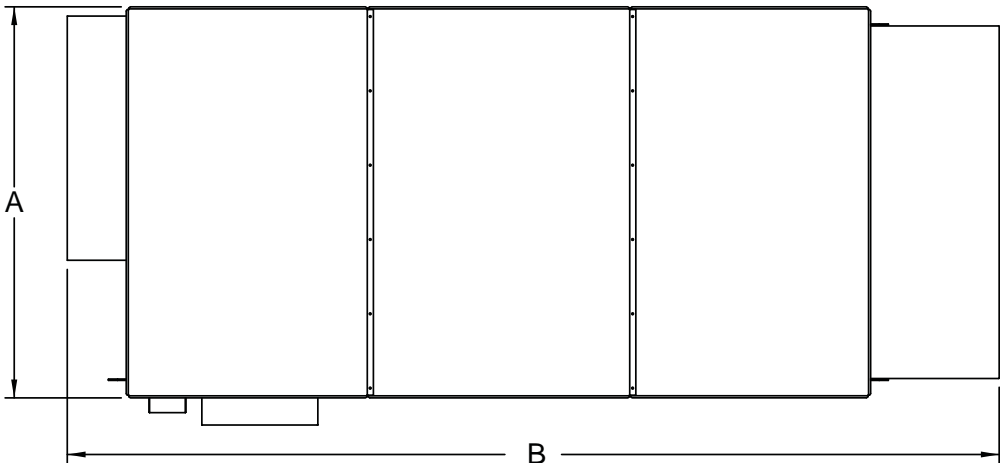
**PLAN
VIEW**



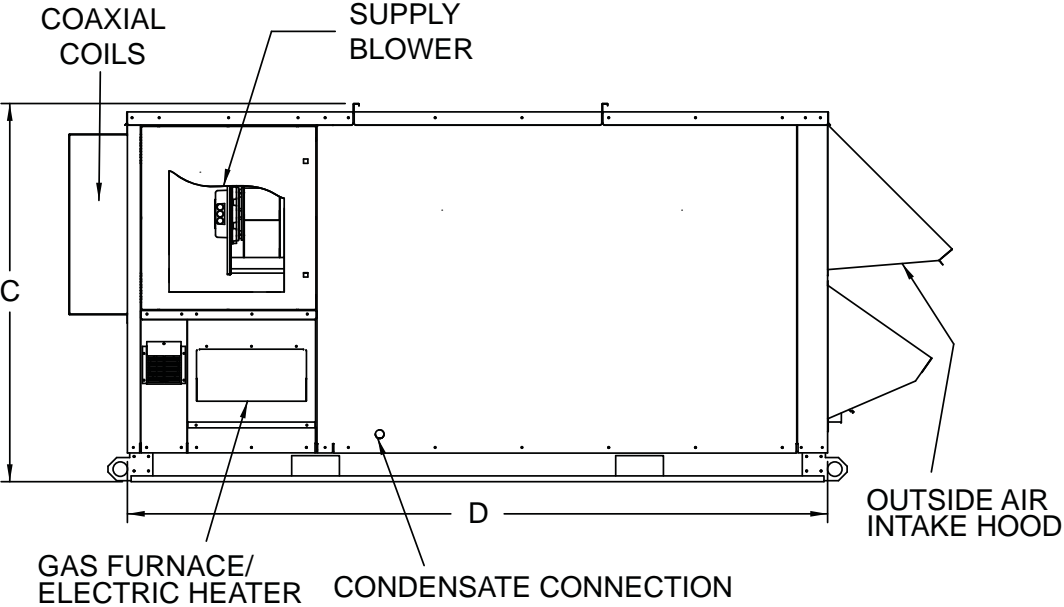
	A	B	C	D	E	F	G	H	J	K	L	M	N	P
(in)	64.0	107.6	61.3	75.9	52.8	44.6	43.0	17.1	8.1	0.9	12.9	38.0	61.5	62.1

DIMENSIONS - CABINET B VERTICAL SUPPLY WITH NO HEAT OR STANDARD HEAT WITH WHEEL OR EXHAUST

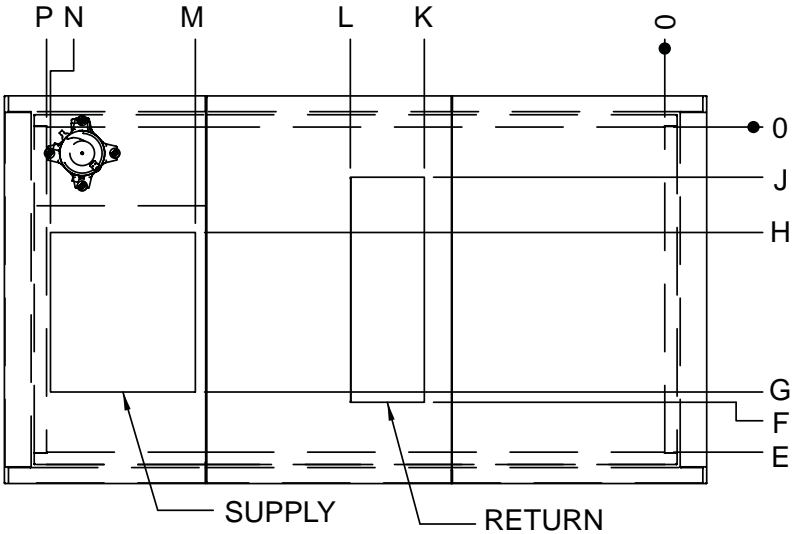
TOP VIEW



SIDE VIEW



PLAN VIEW

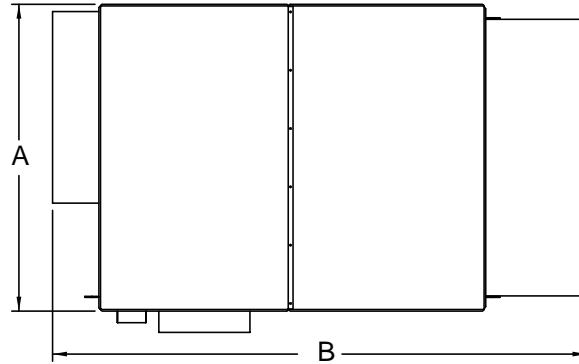


	A	B	C	D	E	F	G	H	J	K	L	M	N	P
(in)	64.0	145.6	61.3	114.0	52.8	44.6	43.0	17.1	8.1	39.0	51.0	76.1	99.6	100.3

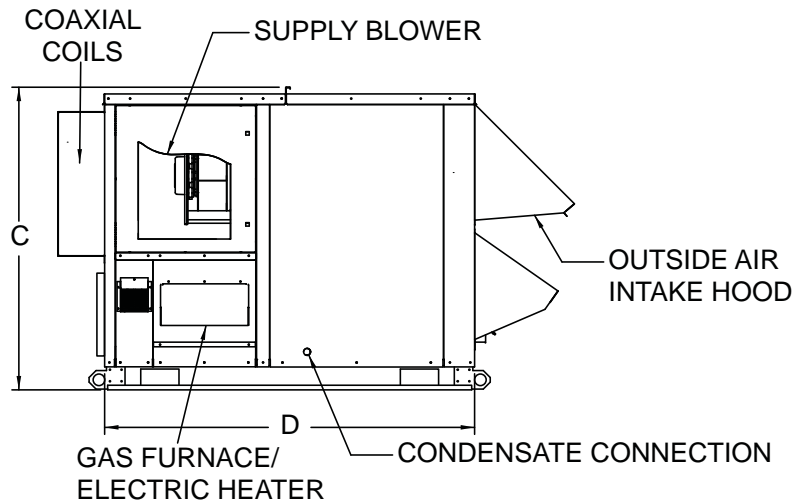
DIMENSIONS - CABINET B

HORIZONTAL SUPPLY WITH NO HEAT OR STANDARD HEAT WITHOUT WHEEL OR EXHAUST

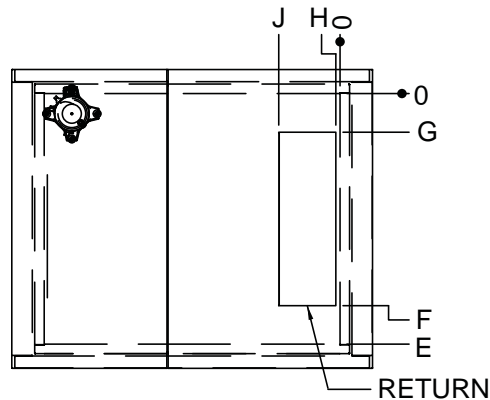
TOP VIEW



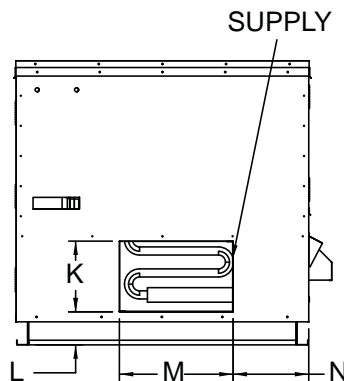
SIDE VIEW



PLAN VIEW



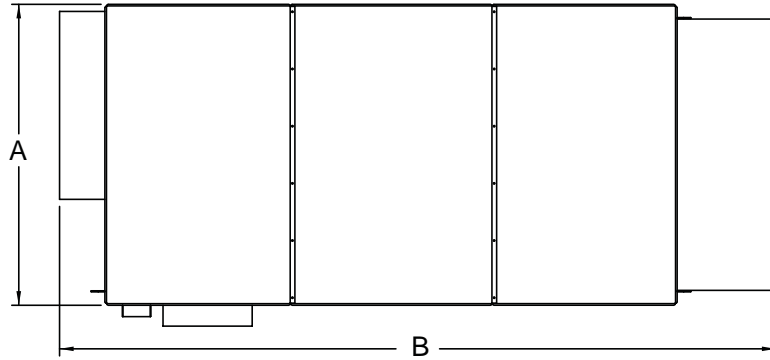
END VIEW



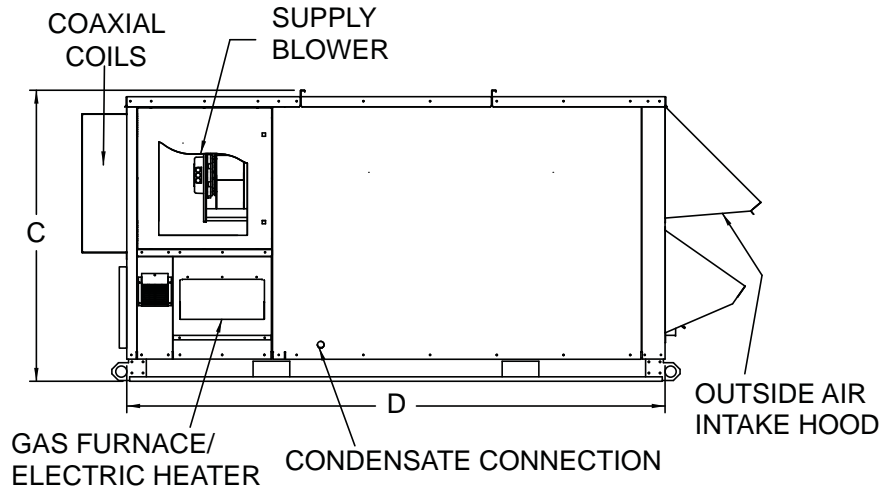
	A	B	C	D	E	F	G	H	J	K	L	M	N
(in)	64.0	107.6	61.3	75.9	52.8	44.6	8.1	0.9	12.9	15.2	7.1	24.5	16.2

DIMENSIONS - CABINET B HORIZONTAL SUPPLY WITH NO HEAT OR STANDARD HEAT WITH WHEEL OR EXHAUST

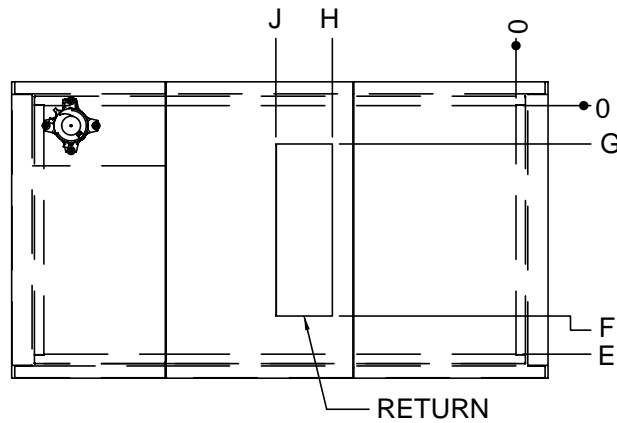
TOP VIEW



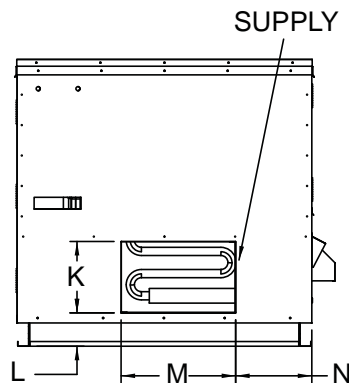
SIDE VIEW



PLAN VIEW



END VIEW

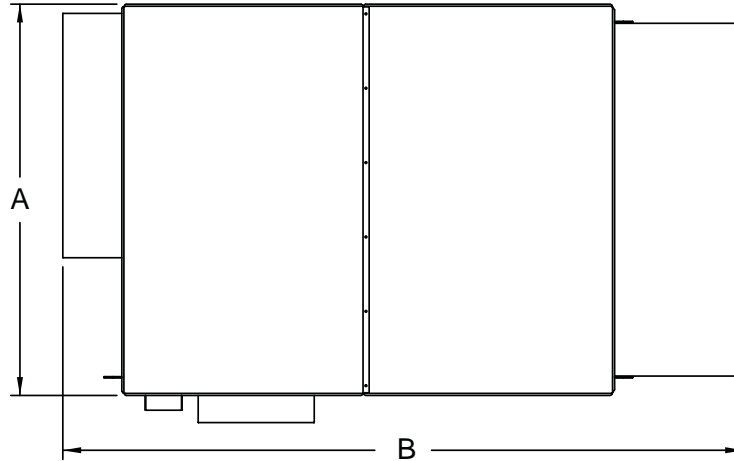


	A	B	C	D	E	F	G	H	J	K	L	M	N
(in)	64.00	145.6	61.3	114.0	52.8	44.6	8.1	39.0	51.0	15.2	7.1	24.5	16.2

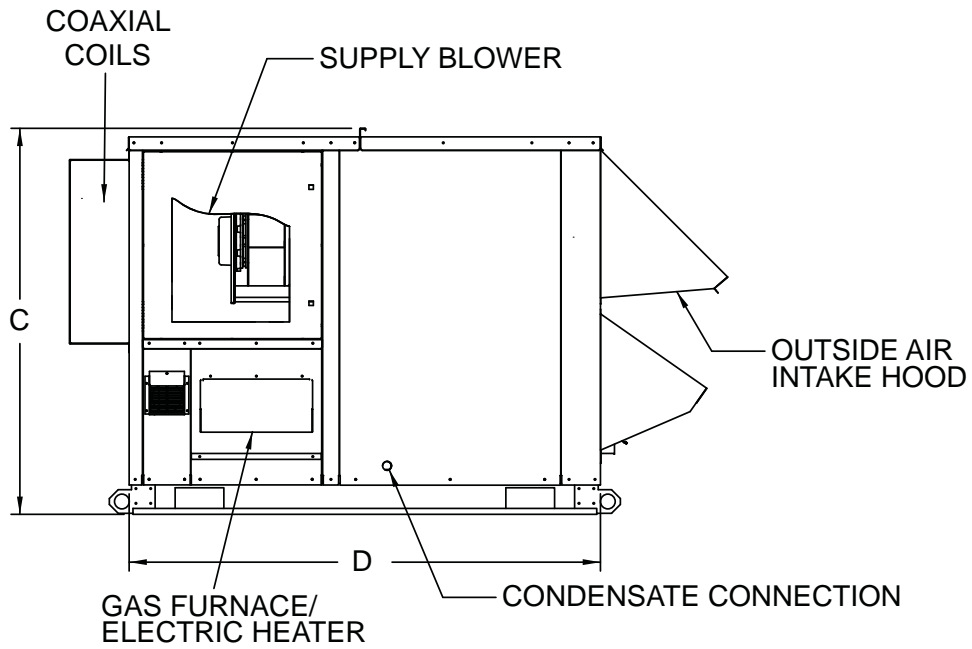
DIMENSIONS - CABINET C

VERTICAL SUPPLY WITH NO HEAT OR STANDARD HEAT WITHOUT WHEEL OR EXHAUST

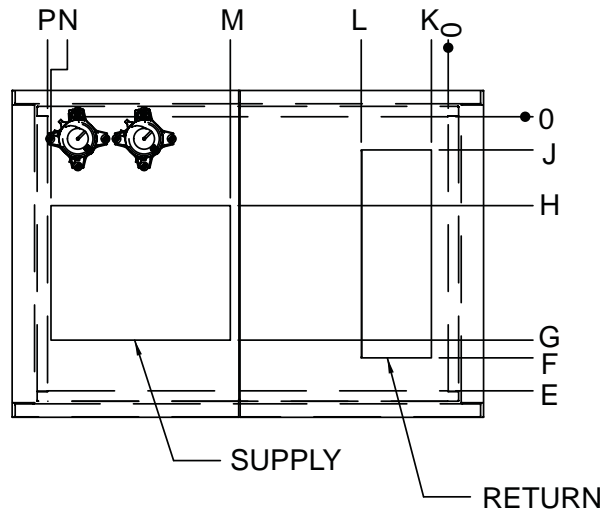
TOP VIEW



SIDE VIEW



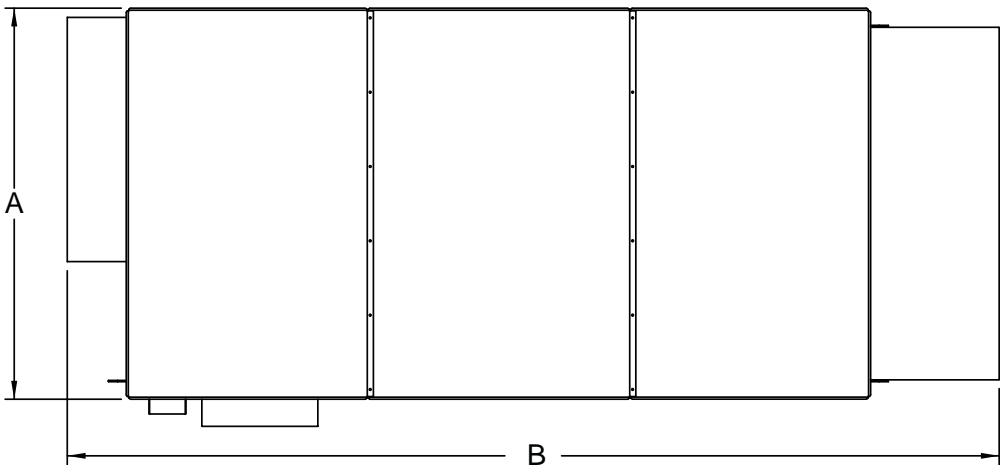
PLAN VIEW



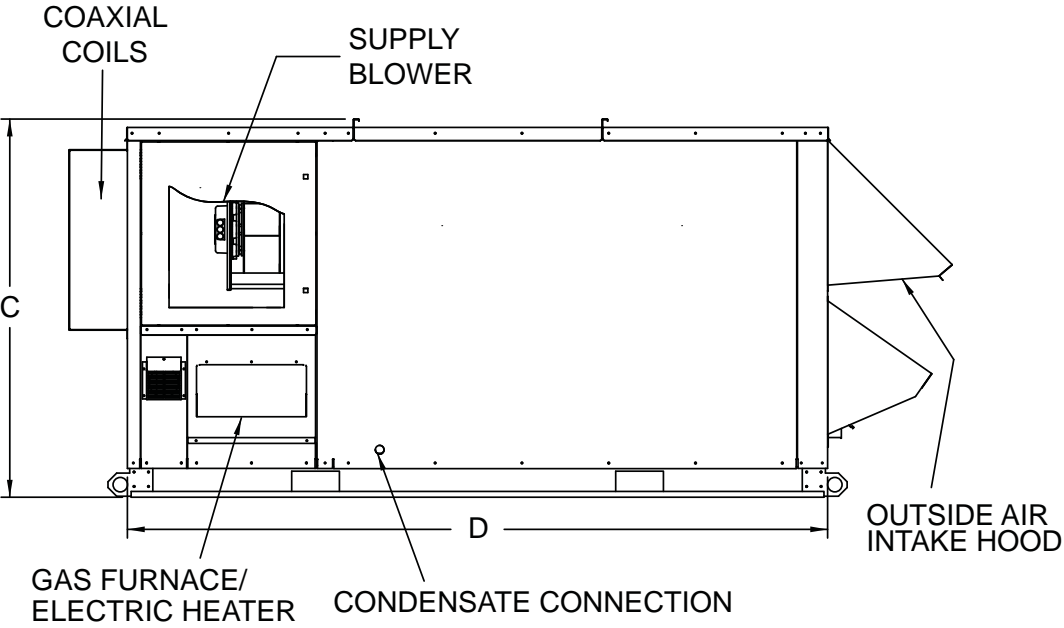
	A	B	C	D	E	F	G	H	J	K	L	M	N	P
(in)	64.0	122.5	65.4	90.8	52.8	46.4	43.0	17.1	6.4	3.3	16.8	41.9	76.4	77.1

DIMENSIONS - CABINET C VERTICAL SUPPLY WITH NO HEAT OR STANDARD HEAT WITH WHEEL OR EXHAUST

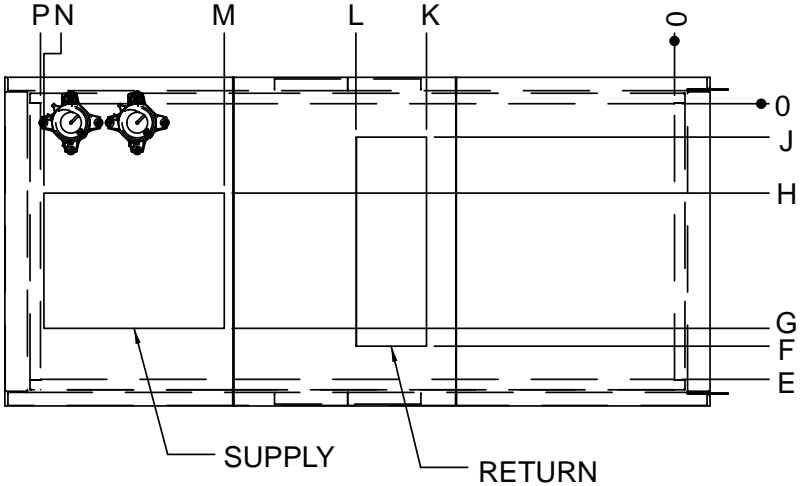
TOP VIEW



SIDE VIEW



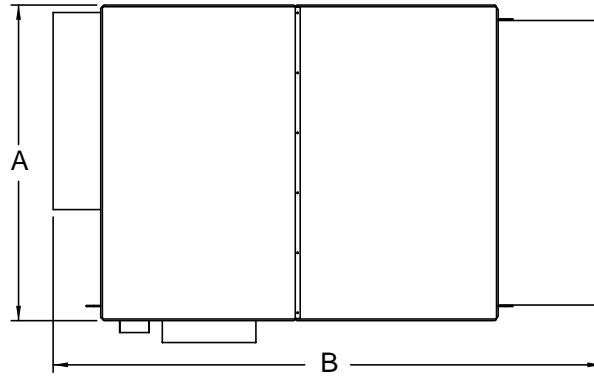
PLAN VIEW



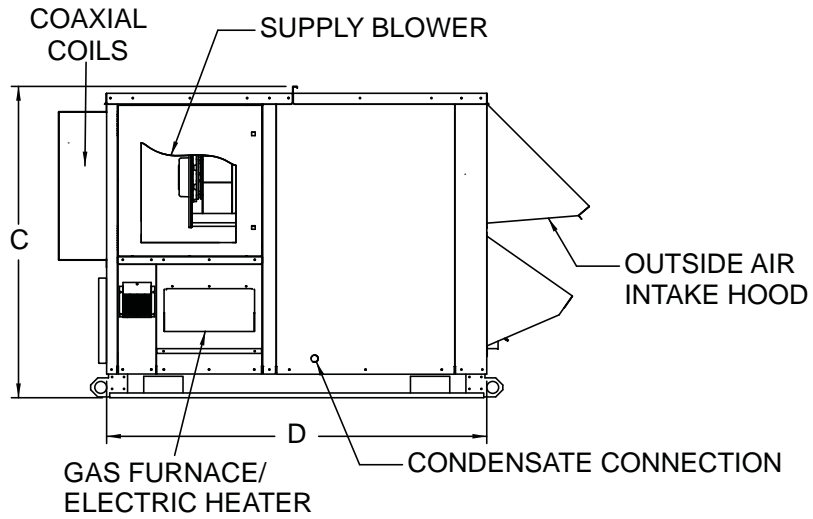
	A	B	C	D	E	F	G	H	J	K	L	M	N	P
(in)	64.0	166.6	65.4	135.0	52.8	46.4	43.0	17.1	6.4	47.5	61.0	86.1	120.6	121.3

DIMENSIONS - CABINET C HORIZONTAL SUPPLY WITH NO HEAT OR STANDARD HEAT WITHOUT WHEEL OR EXHAUST

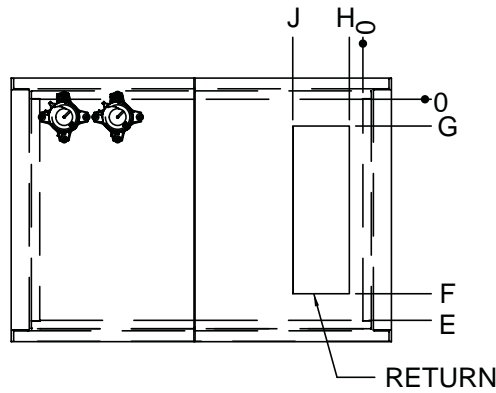
TOP VIEW



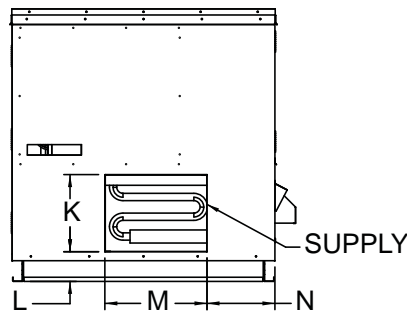
SIDE VIEW



PLAN VIEW



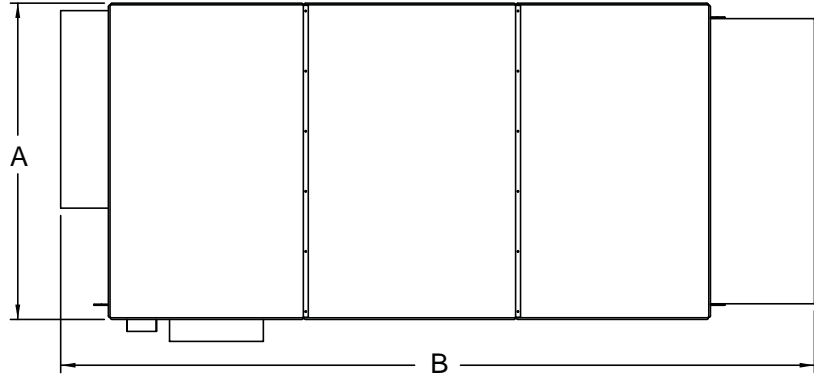
END VIEW



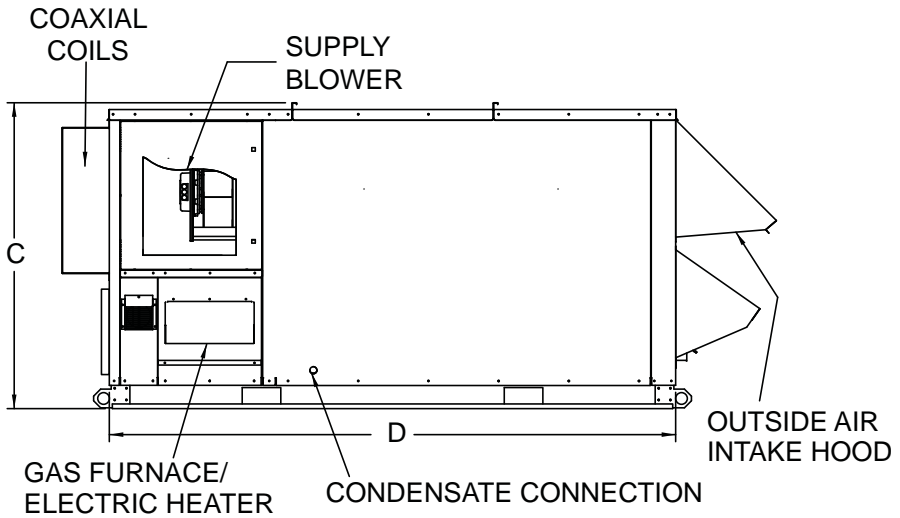
	A	B	C	D	E	F	G	H	J	K	L	M	N
(in)	64.0	122.5	65.4	90.8	52.8	46.4	6.4	3.3	16.8	18.5	7.1	24.5	16.2

DIMENSIONS - CABINET C HORIZONTAL SUPPLY WITH NO HEAT OR STANDARD HEAT WITH WHEEL OR EXHAUST

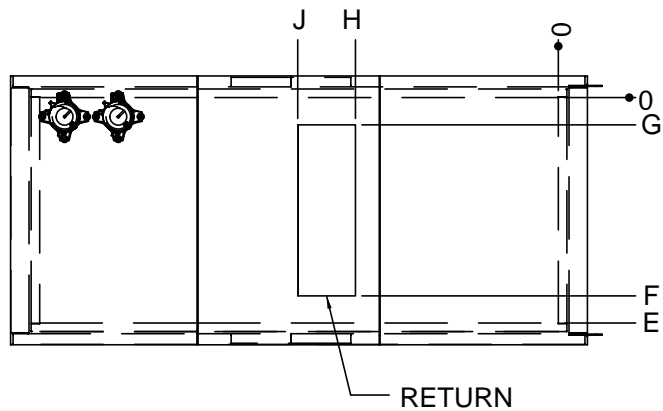
**TOP
VIEW**



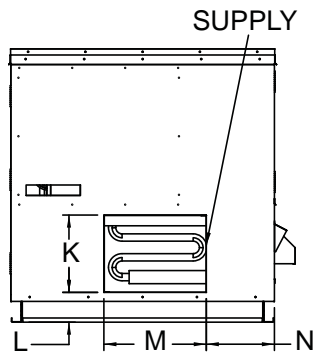
**SIDE
VIEW**



**PLAN
VIEW**



**END
VIEW**

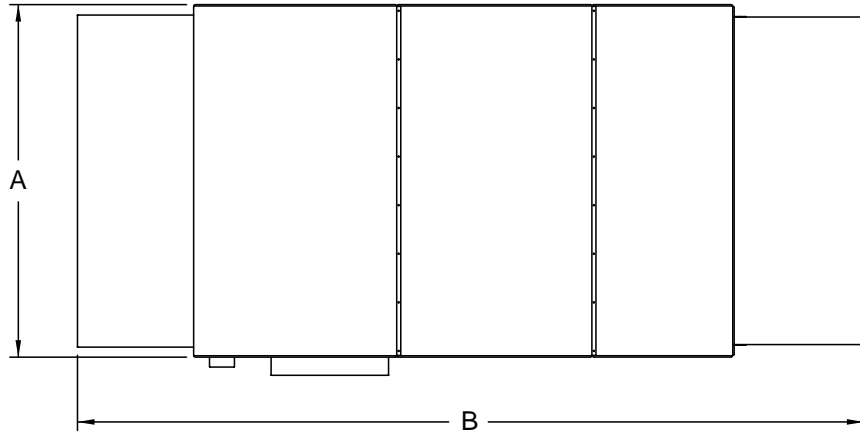


	A	B	C	D	E	F	G	H	J	K	L	M	N
(in)	64.0	166.6	65.4	135.0	52.8	46.4	6.4	47.5	61.0	18.5	7.1	24.5	16.2

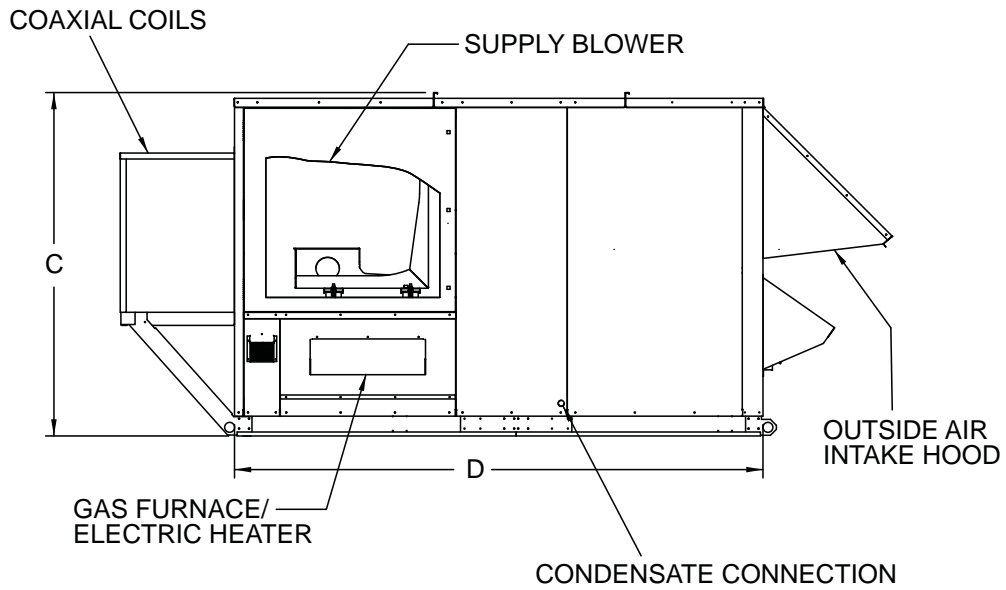
DIMENSIONS - CABINET D

VERTICAL SUPPLY WITH NO HEAT OR STANDARD HEAT WITHOUT WHEEL OR EXHAUST

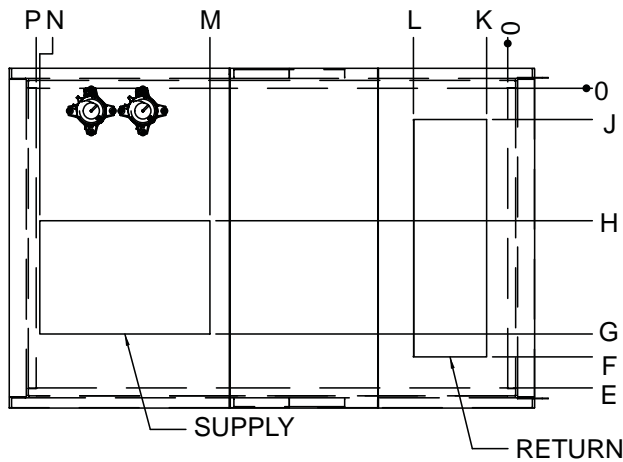
TOP VIEW



SIDE VIEW



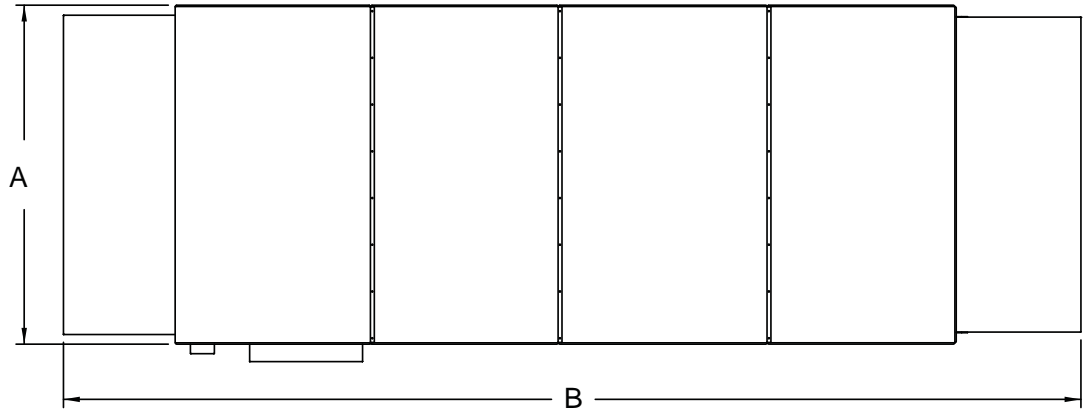
PLAN VIEW



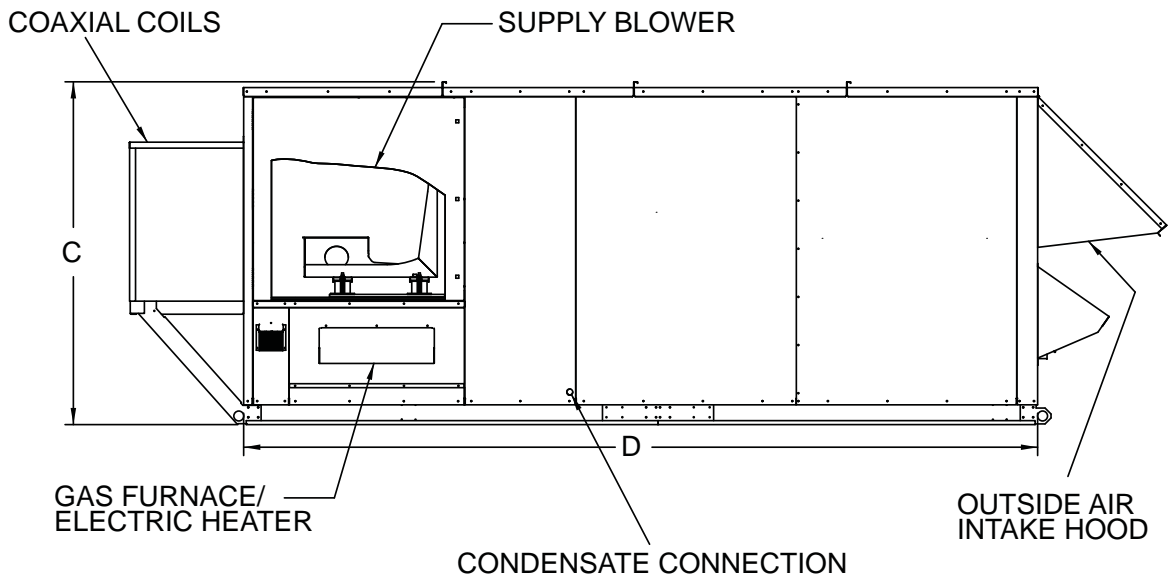
	A	B	C	D	E	F	G	H	J	K	L	M	N	P
(in)	87.0	194.3	85.9	132.9	75.8	67.9	62.1	33.5	7.9	7.4	25.9	77.3	120.3	123.1

DIMENSIONS - CABINET D VERTICAL SUPPLY WITH NO HEAT OR STANDARD HEAT WITH WHEEL OR EXHAUST

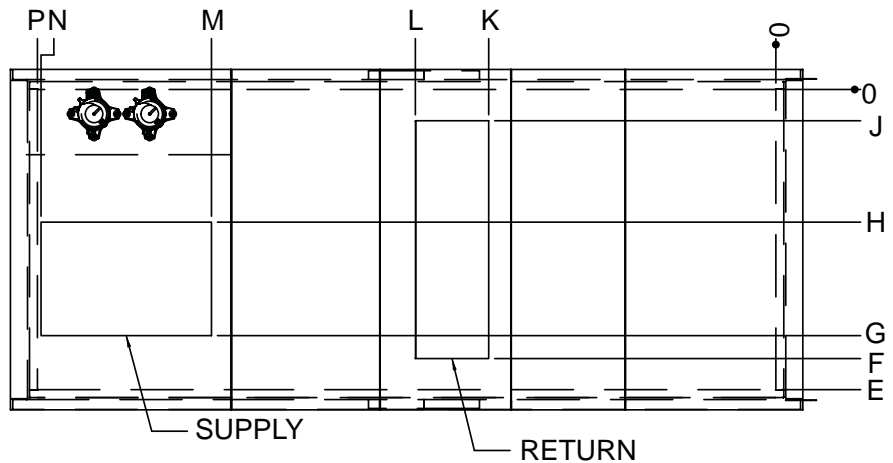
TOP VIEW



SIDE VIEW



PLAN VIEW

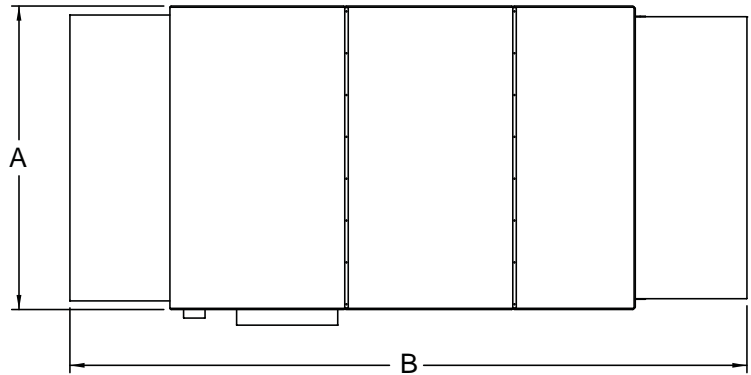


	A	B	C	D	E	F	G	H	J	K	L	M	N	P
(in)	87.0	261.4	85.9	200.0	75.8	67.9	62.1	33.5	7.9	74.5	93.0	144.4	187.4	190.3

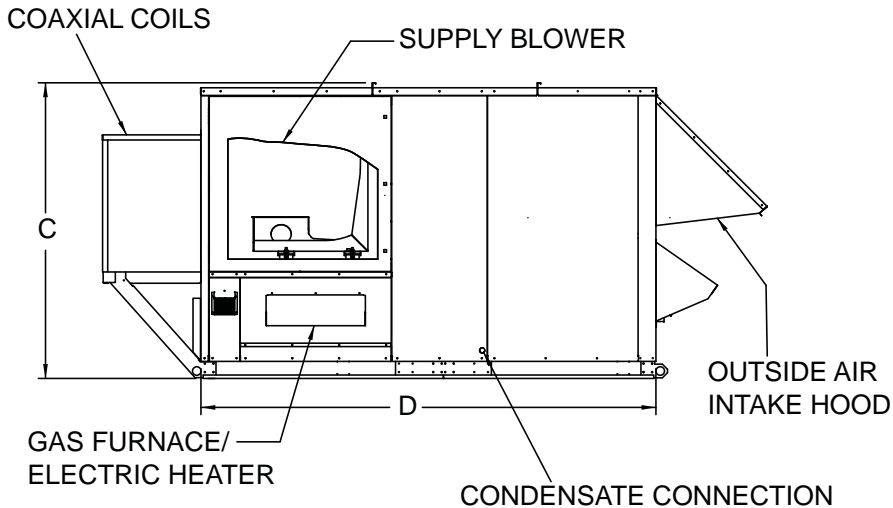
DIMENSIONS - CABINET D

HORIZONTAL SUPPLY WITH WITH NO HEAT OR STANDARD HEAT WITHOUT WHEEL OR EXHAUST

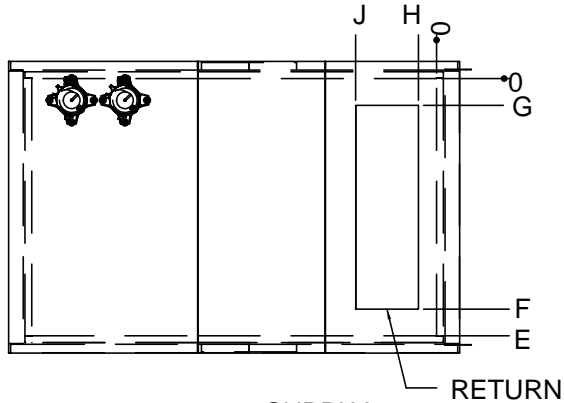
TOP VIEW



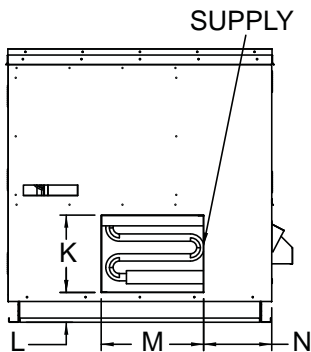
SIDE VIEW



PLAN VIEW



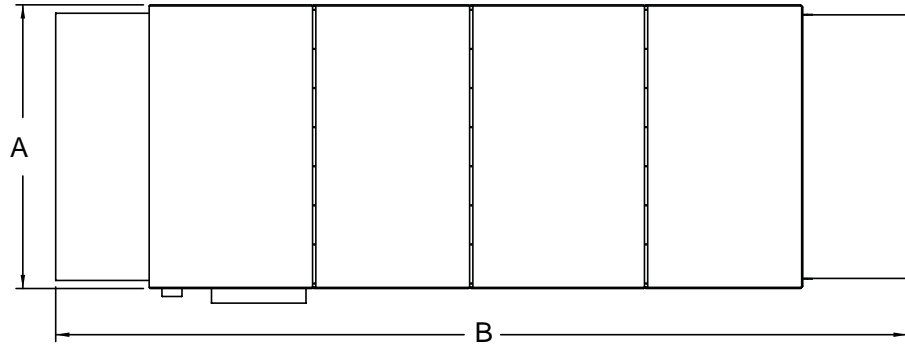
END VIEW



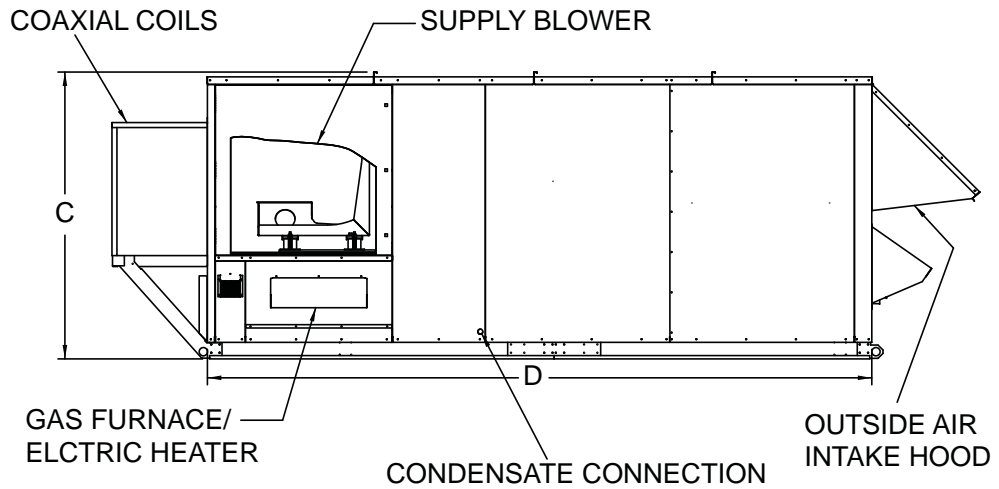
	A	B	C	D	E	F	G	H	J	K	L	M	N
(in)	87.0	194.3	85.9	132.9	75.8	67.9	7.9	7.4	25.9	18.0	7.0	13.0	21.0

DIMENSIONS - CABINET D HORIZONTAL SUPPLY WITH NO HEAT OR STANDARD HEAT WITH WHEEL OR EXHAUST

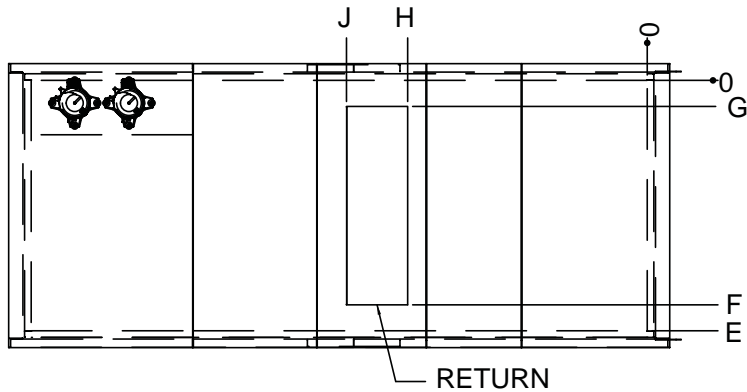
TOP VIEW



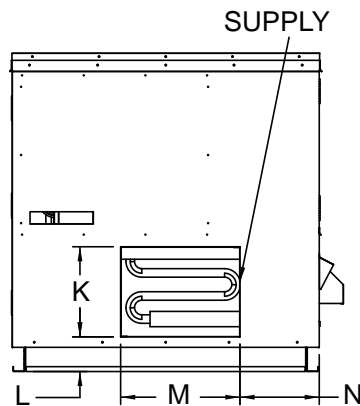
SIDE VIEW



PLAN VIEW

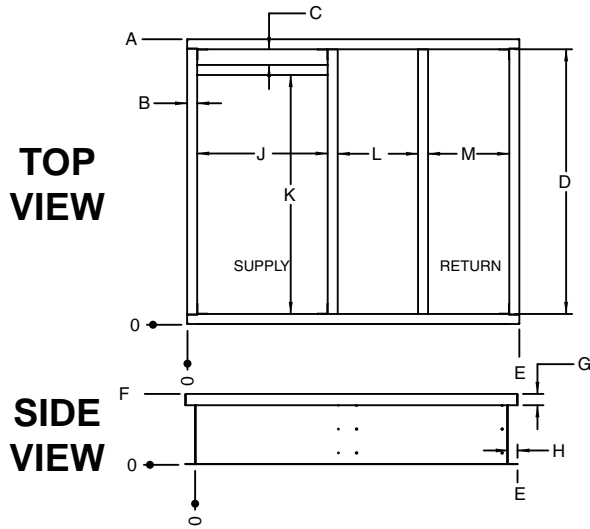


END VIEW



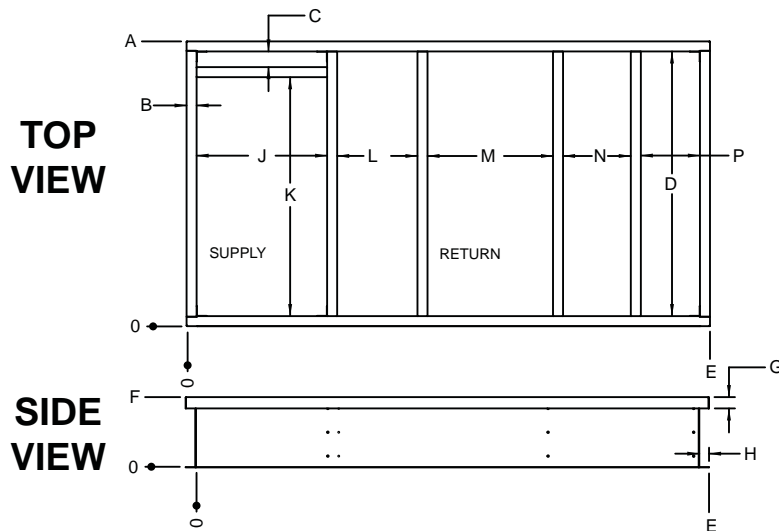
	A	B	C	D	E	F	G	H	J	K	L	M	N
(in)	87.0	261.4	85.9	200.0	75.8	67.9	7.9	74.5	93.0	18.0	7.0	13.0	21.0

DIMENSIONS - CABINET B CURB WITH NO HEAT OR STANDARD HEAT WITHOUT WHEEL OR EXHAUST



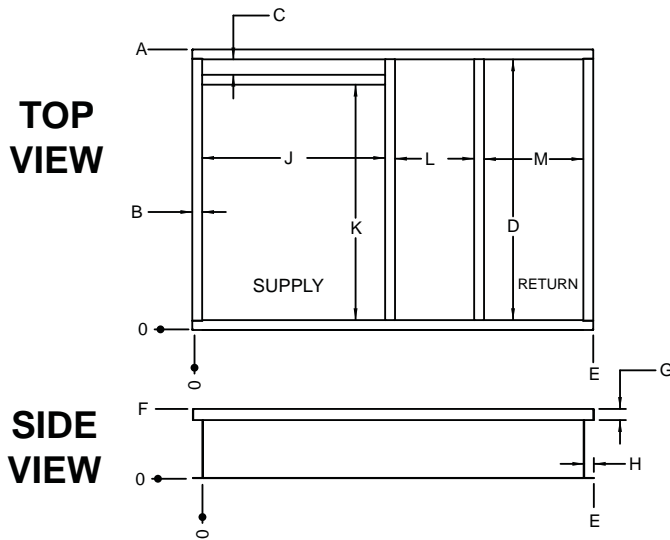
	A	B	C	D	E	F	G	H	J	K	L	M
(in)	56.8	2.0	3.1	52.8	66.1	14.0	2.3	1.9	26.0	47.6	16.0	16.1

DIMENSIONS - CABINET B CURB WITH NO HEAT OR STANDARD HEAT WITH WHEEL OR EXHAUST



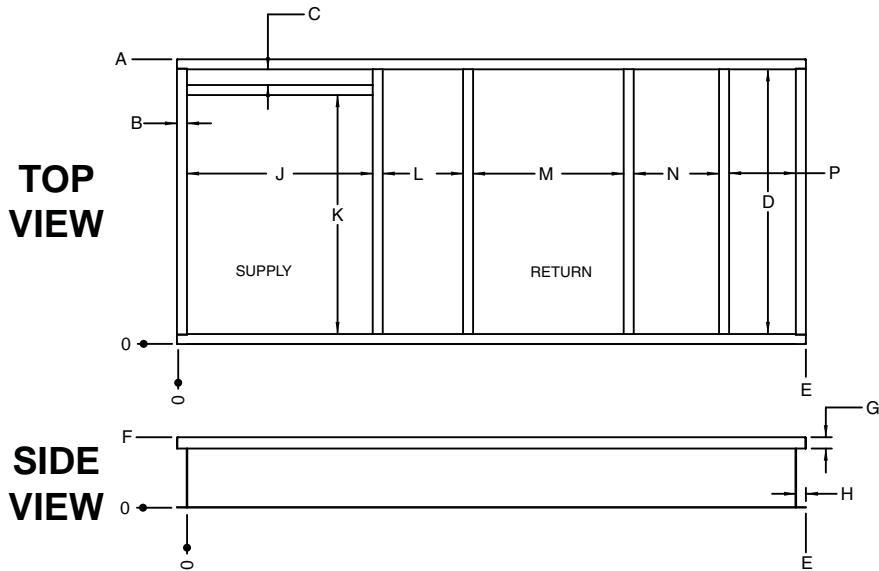
	A	B	C	D	E	F	G	H	J	K	L	M	N	P
(in)	56.8	2.0	3.1	52.8	104.3	14.0	2.3	1.9	26.0	47.6	16.0	25.0	13.5	11.8

DIMENSIONS - CABINET C CURB WITH NO HEAT OR STANDARD HEAT WITHOUT WHEEL OR EXHAUST



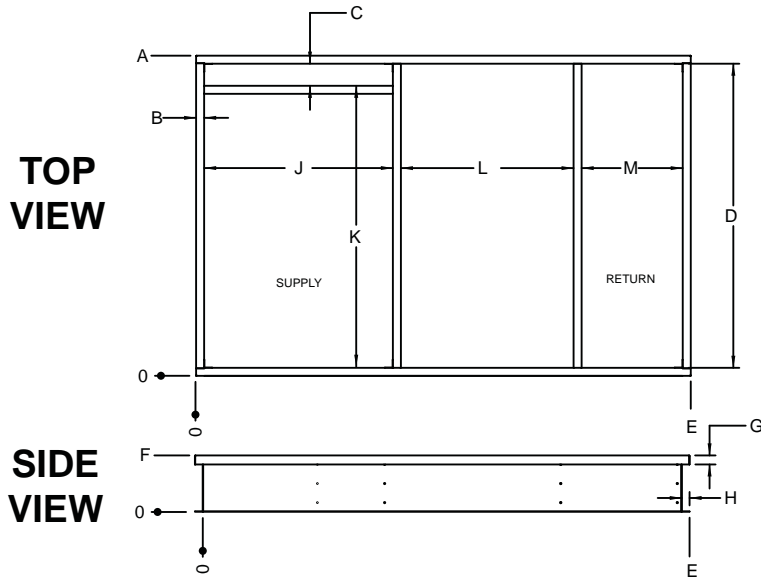
	A	B	C	D	E	F	G	H	J	K	L	M
(in)	53.8	2.0	3.1	52.8	81.1	14.0	2.3	1.9	37.0	47.6	16.0	20.1

DIMENSIONS - CABINET C CURB WITH NO HEAT OR STANDARD HEAT WITH WHEEL OR EXHAUST



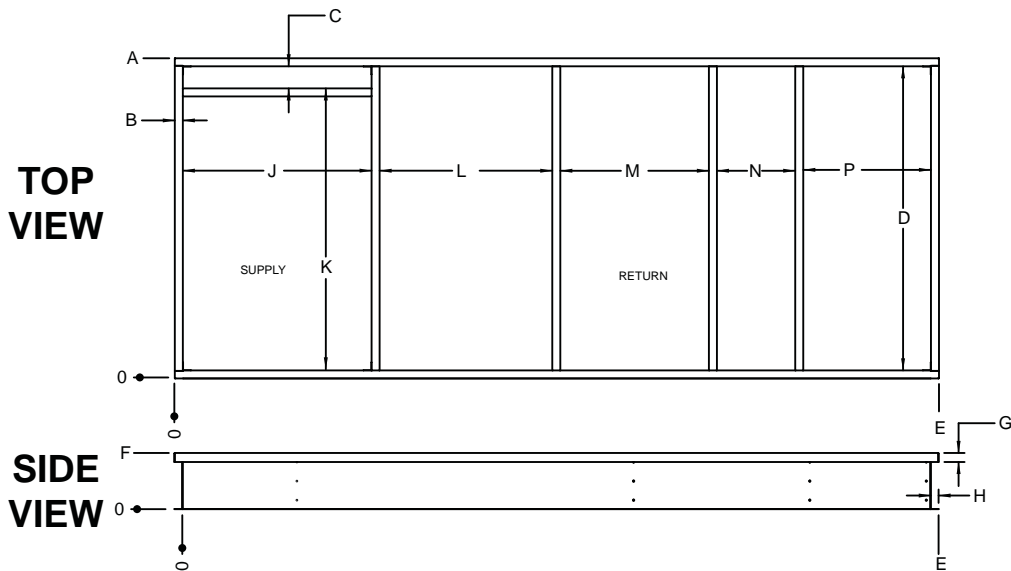
	A	B	C	D	E	F	G	H	J	K	L	M	N	P
(in)	56.8	2.0	3.1	52.8	125.3	14.0	2.2	1.9	37.0	47.6	16.0	30.0	17.0	13.3

DIMENSIONS - CABINET D CURB WITH NO HEAT OR STANDARD HEAT WITHOUT WHEEL OR EXHAUST



	A	B	C	D	E	F	G	H	J	K	L	M
(in)	79.8	2.0	18.4	79.8	127.2	14.0	2.3	1.9	49.0	55.3	43.0	27.2

DIMENSIONS - CABINET D CURB WITH NO HEAT OR STANDARD HEAT WITH WHEEL OR EXHAUST



	A	B	C	D	E	F	G	H	J	K	L	M	N	P
(in)	79.8	2.0	8.4	79.8	182.3	14.0	2.3	1.9	49.0	55.3	43.0	37.0	19.5	33.8



THANK YOU FOR YOUR BUSINESS

ADDISON®

**7050 Overland Road
Orlando, FL 32810 U.S.A.
Telephone: +1.407.292.4400
Fax: +1.407.290.1329
www.addison-hvac.com**

Installation Code and Quarterly Inspections: All installation and service of ADDISON® equipment must be performed by a contractor qualified in the installation and service of equipment sold and supplied by Addison and conform to all requirements set forth in the ADDISON® manuals and all applicable governmental authorities pertaining to the installation, service, operation and labeling of the equipment. To help facilitate optimum performance and safety, Addison recommends that a qualified contractor conduct quarterly inspections of your ADDISON® equipment and perform service where necessary, using only replacement parts sold and supplied by Addison.

Further Information: Applications, engineering and detailed guidance on systems design, installation and equipment performance is available through ADDISON® representatives. Please contact us for any further information you may require, including the Installation, Operation and Service Manual.

These products (with the exception of the CGTH and UHA[X][S]30 - 75) are not for residential use.

This document is intended to assist licensed professionals in the exercise of their professional judgment.

Specifications are subject to change without notice.

© 2015 Addison All rights reserved. No part of this work covered by the copyrights herein may be reproduced or copied in any form or by any means - graphic, electronic, or mechanical, including photocopying, recording, taping or information storage and retrieval systems - without the written permission of Addison.