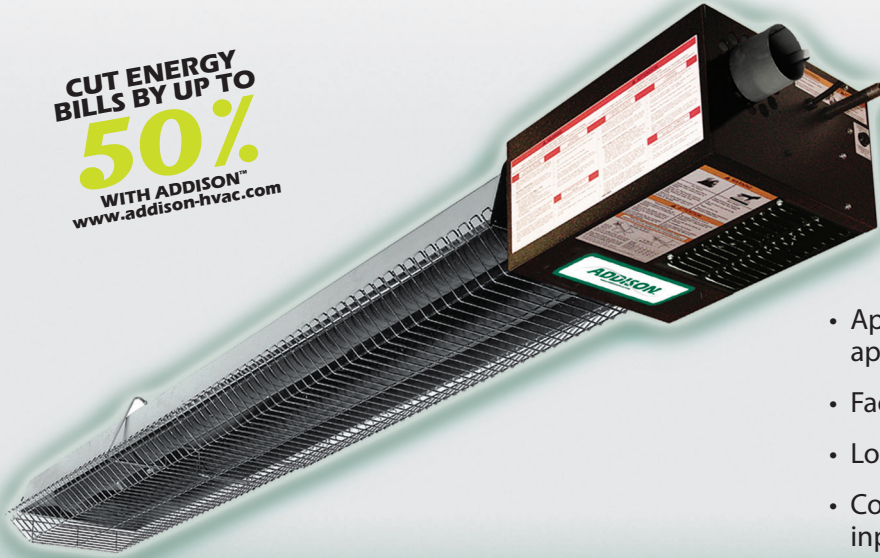


ADDISON GH

LIGHT COMMERCIAL, LOW-INTENSITY INFRARED HEATER

CUT ENERGY
BILLS BY UP TO
50%
WITH ADDISON™
www.addison-hvac.com



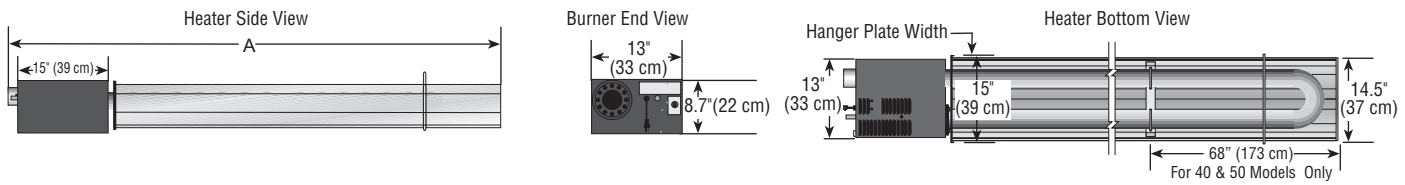
* Grille included on select models

CGTH-SERIES

- Approved for residential and commercial applications
- Factory-assembled for easy installation
- Longer life provided by durable components
- Compact U-tube design provides maximum inputs at minimum lengths
- One building penetration- balanced flue for both exhaust and combustion air
- Ceiling-mounted to free valuable work space below

www.addison-hvac.com
Telephone: +1.407.292.4400

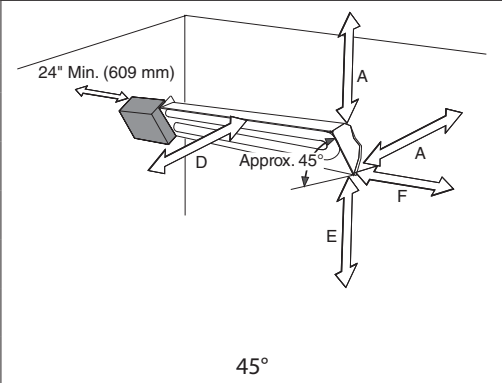
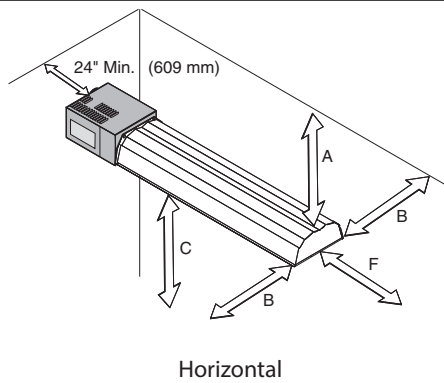




ADDISON® GH			
Model	CGTH-30	CGTH-40	CGTH-50
Overall Length [ft, in] A	8', 0"	11', 6"	11', 6"
Weights [lb]	85	96	96
Input [Btu/h] x (1,000)	30	40	50
Fuel	Natural Gas (NG) or Propane Gas (LP)		
Inlet Pressure [in wc] NG min.	5		
LPG Propane min.	11		
NG & LPG Propane max.	14		
Gas Connection NPT	3/8" (3/8" Manual Shut-off Valve Included with Heater)		
Minimum Mounting Height [ft]*	7' (Required Safe Distances from Combustibles Must be Maintained)		
Electrical Supply	120 V, 60 Hz, 1 Ø, 1 A (Connection - Cord with 3-Prong Molded Plug)		
Thermostat	Low Voltage, 24 Vac Dual Scale Included with Heater (120 Vac Optional) (Connection - Built-in Receptacle on Heater)		
Heat Exchanger Tubing	3" dia, 16 Gauge, Heat Treated ALUMI-THERM® Steel Tubing		
Exhaust Flue/Vent OD [in]	3" dia/5" dia (Included with Heater)		
Balanced Flue	Vent Collar and Vent Termination Included with Heater		
Flue Length [ft, in]	2', 6" Minimum; 10', 0" Maximum		
Reflector and End Caps	.024 Mill Finish Aluminum		
Ignition	Fully Automatic, Three Try, Direct Spark Electronic Ignition Control, 100% Shut-Off		
Approved As	Indoor Vented Overhead Room Heater		
CSA Standards	ANSI Z21.86 / CSA 2.32		
Warranty	Three-Year Limited (Refer to Installation, Operation and Service Manual for details)		
Options	Roof Venting Kit, 90° Elbow Kit, Wall Venting Kits		

*The minimum mounting height is 10 ft (3 m) for aircraft hangars and 8 ft (2.4 m) for public garages.

Required Safe Distances from Combustibles** [in]			
Model	CGTH-30	CGTH-40	CGTH-50
A	4	4	4
B	16	18	20
C	36	48	48
D	28	30	32
E	34	34	36
F	6	6	6



** For complete installation, operation and service criteria, please see the current issue of the Installation, Operation and Service Manual.



7050 Overland Road
Orlando, FL 32810 U.S.A.
Telephone: +1.407.292.4400
Fax: +1.407.290.1329
www.addison-hvac.com

Installation Code and Annual Inspections: All installation and service of ADDISON® equipment must be performed by a contractor qualified in the installation and service of equipment sold and supplied by Addison and conform to all requirements set forth in the ADDISON® manuals and all applicable governmental authorities pertaining to the installation, service, operation and labeling of the equipment. To help facilitate optimum performance and safety, Addison recommends that a qualified contractor conduct, at a minimum, annual inspections of your ADDISON® equipment and perform service where necessary, using only replacement parts sold and supplied by Addison.

Further Information: Applications, engineering and detailed guidance on systems design, installation and equipment performance is available through ADDISON® representatives. Please contact us for any further information you may require, including the Installation, Operation and Service Manual.

This document is intended to assist licensed professionals in the exercise of their professional judgment.